

# 7 DAY PROGRAMMABLE THERMOSTAT

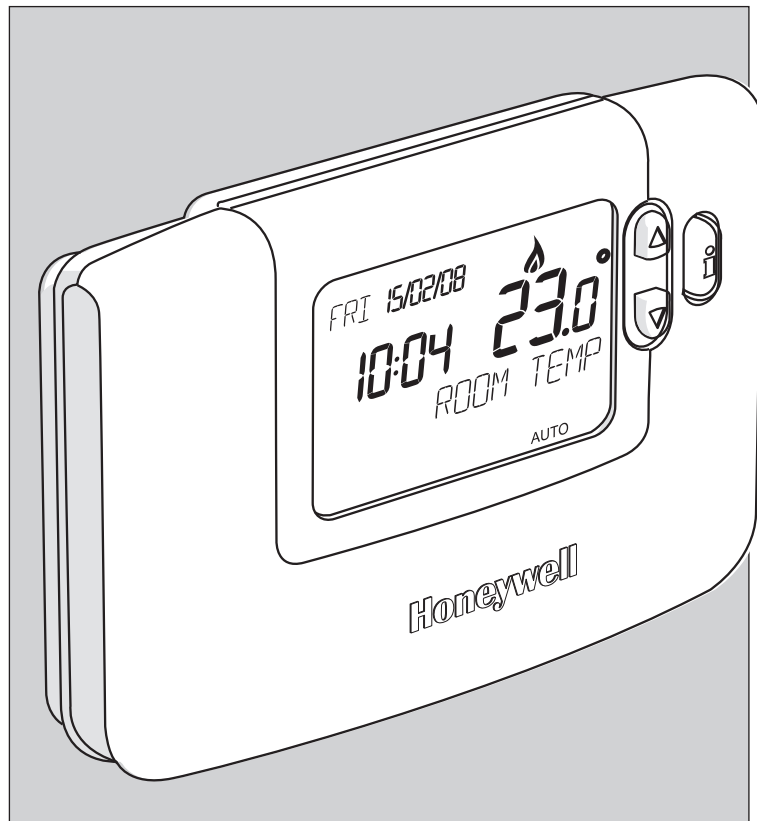
## CM907

### FEATURES

- Slim, ultra modern design
- Extra large LCD display with user friendly Line of Text™
- Automatic summer/winter time change
- Continuous time, day & date displayed
- Optional backlight
- Auto, manual, holiday, override and off modes
- Optional optimum start
- 7 day programming
- Battery powered (with low-power indicator)
- Up to six independent time & temperature settings per day
- Boiler 'ON' symbol
- Volt free connections

### OPTIONS

- Remote Sensor (wired)
- Outside Temperature Sensor (wired)



### APPLICATION

The CM907 is a 7 day Programmable Room Thermostat. It is designed to provide automatic time and temperature control of domestic heating or cooling systems in domestic or light commercial premises.

The slim, ultra modern design complements the extra large LCD screen with the Line of Text (LoT)™ display and function buttons to ensure simplified programming and operation for all users.

The CM907 can be used to control the heating circuit in a Sundial S or Y Plan system and is particularly well suited to control combination boiler installations or additional zones in a S Plan Plus system.

The CM907 has been designed for applications where the householder has different heating needs for various times of the day and different days of the week to maximise energy efficiency.

Two wire, volt free connections are ideal for use with combination boilers.

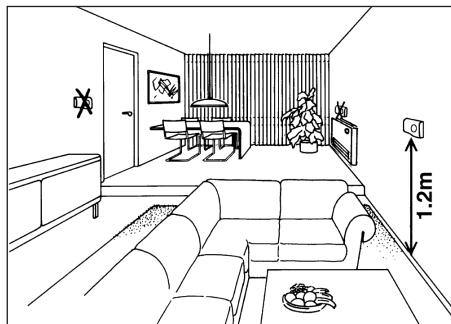
# 7 DAY PROGRAMMABLE THERMOSTAT

# CM907

## Installation

The **CM907** can either be surface or flush switch box mounted. The wiring sub-base has holes to suit single switch boxes and provision for surface wiring.

Do not position the **CM907** or remote temperature sensor near sources of heat (direct sunlight, radiators, vents, TV or lights), they must be located in a position with good air circulation, at average room temperature.



## Ordering Specification

### CMT907A1041

Programmable thermostat complete with batteries, fixing screws and instructions

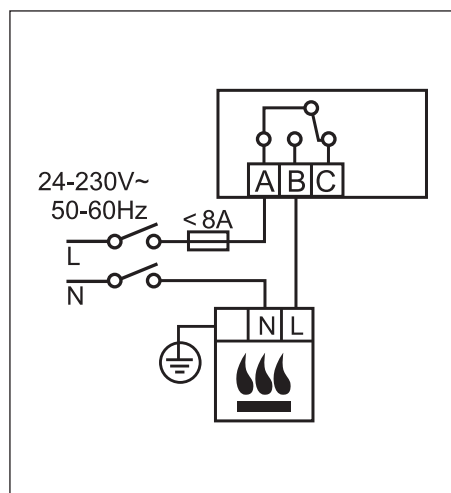
### F42010971-001

Wired Outside Sensor to enable outdoor temperature display only

### F42010972-001

Wired Room Sensor to enable remote temperature control

## Wiring



## Specification

Switch Rating	: 230V~, 50Hz, 0.5A to 8A resistive : 24V~, 50Hz, 0.5A to 8A resistive
Switch Type	: Single pole, double throw (SPDT) relay
Power Supply	: Two AA size, LR6, 1.5V alkaline batteries
Battery Life	: Minimum 2 years (Program retained indefinitely in EEPROM)
Wiring	: Potential free terminals < 2.5mm <sup>2</sup>
Temperature Setting Range	: 5 to 35°C in 0.5°C steps
Frost Protection Range	: 5°C (default) to 21°C in 0.5°C steps
Temperature Control Form	: P+I (Proportional + Integral)
Temperature Sensing Element	: 100K (@ 25°C ) NTC thermistor
Temperature Control Accuracy	: ± 0.5K at 20°C (50% load, 3K/hour)
Time Setting Resolution	: Time of day: 1 minute : Programme time changes: 10 minutes
Time Display	: 24 hr or 12 hr AM/PM format
Operating Temperature Range	: 0 to 40°C
Operating Humidity Range	: 10 to 90% RH, non-condensing
Storage Conditions	: -20 to 55°C
European EN Approvals	: EN60730-1 (Nov 2000), EN55014-1 (1997), EN55014-2 (2000)

## Dimensions (mm)

