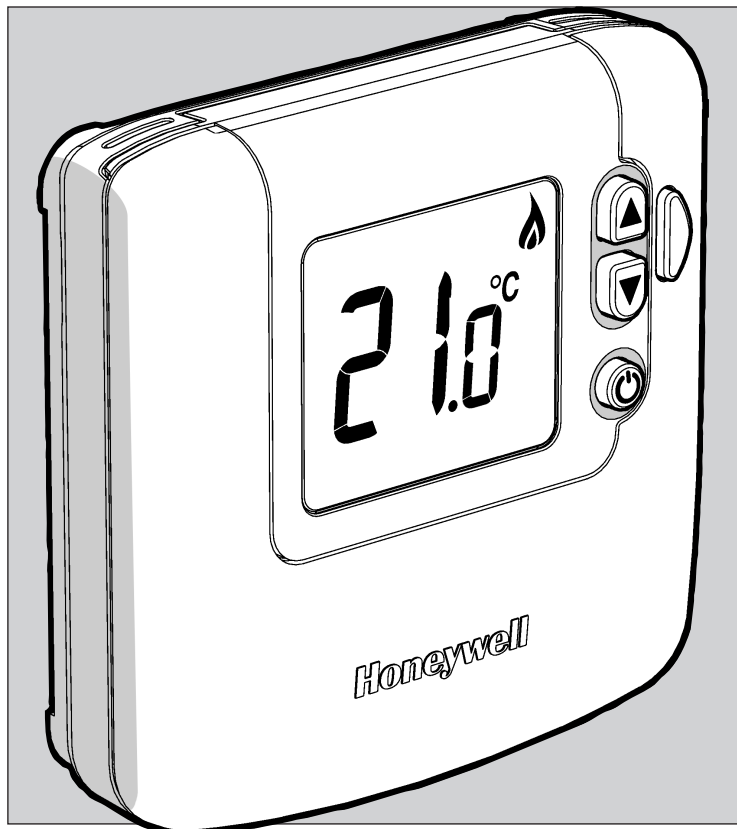


# WIRED DIGITAL THERMOSTAT

## DT90E

### FEATURES

- Energy saving TPI control
- ECO button for energy saving mode
- Countdown display of time remaining in ECO energy saving mode
- Slim modern design
- Extra large LCD with easy to read text
- Volt free connections
- Simple user operation
- Room temperature inquiry
- Heating 'ON' indicator
- 5 to 35°C setpoint range
- Battery powered thermostat (with low battery indication)
- Four year battery life
- 'OFF' setting with adjustable OFF setpoint
- Actual space temperature display
- Direct replacement of the DT200 digital thermostat
- Surface or wall box mounted
- Mains or low voltage switching



### APPLICATION

The DT90E digital room thermostat has been designed to provide automatic temperature control of gas or oil fired boiler systems, underfloor heating, electric heating and zoning systems.

Energy efficiency is addressed by state of the art control performance qualifying it as a Load Compensator.

The DT90E has an ECO button energy saving feature which gives timed setback or boosts temperatures to reduce energy demand.

This is a TPI (Time Proportional Integral) control product as defined in the Building Regulations, which make boilers operate more efficiently and provide close accurate control.

The 'OFF' setting can be used for frost or hypothermia protection, assuming the system time control is also switched on.

'Installer Mode' allows control to be matched to the system and user requirements, adapting minimum on or off times, set point controls etc.

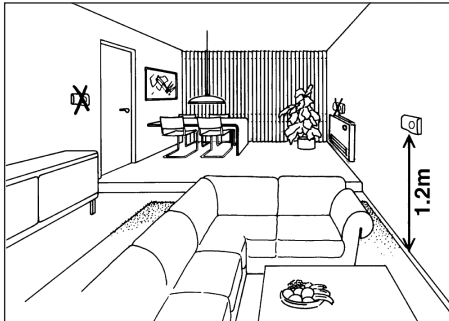
Two wire, volt free connections are ideal for use with combination boilers or heating zones.

**HEATING CONTROLS**

**Honeywell**

## Installation

The DT90E thermostat must be located where it is not subjected to extraneous heat gains, direct sunlight or draughts.



## Ordering Specification

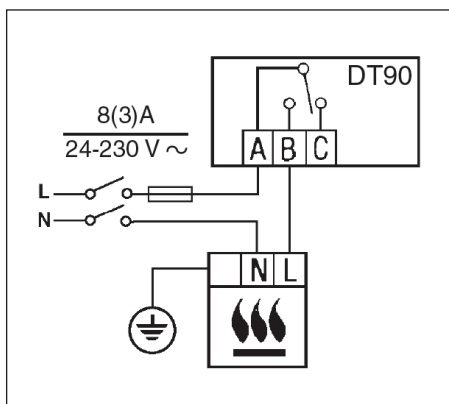
### DT90E1012

Wired digital room thermostat with ECO energy saving feature; complete with batteries and full instructions

### TG510A1001

Lockable clear plastic thermostat cover, includes backplate and spare keys

## Wiring



## Specification

Switch Rating	: 8A resistive 3A inductive : 24V~ to 240V~, 50...60Hz
Switch Type	: Single pole, double throw (SPDT)
Power Supply	: Two AA size, 1.5V alkaline batteries
Temperature Setting Range	: 5 to 35°C in 0.5°C steps can be limited between 5 and 35°C
OFF Setpoint Temperature	: 5°C (default) can be set between 5 & 16°C or turned off
ECO Setpoint Temperature	: 18°C (default) can be set between 5 & 35°C (in 1°C steps)
Temperature Control Accuracy	: ± 0.5K at 20°C (50% load, 3K/hr)
Operating Temperature Range	: 0 to 40°C
Operating Humidity Range	: 10 to 90% rh, non-condensing
Storage Conditions	: -20 to 55°C : 10 to 90% rh, non-condensing
Standards	: CE marked
EC Directive	: Conforms to protection requirements of 2006/95/EC & 2004/108/EC : WEEE & RoSH compliant

## Dimensions (mm)

