

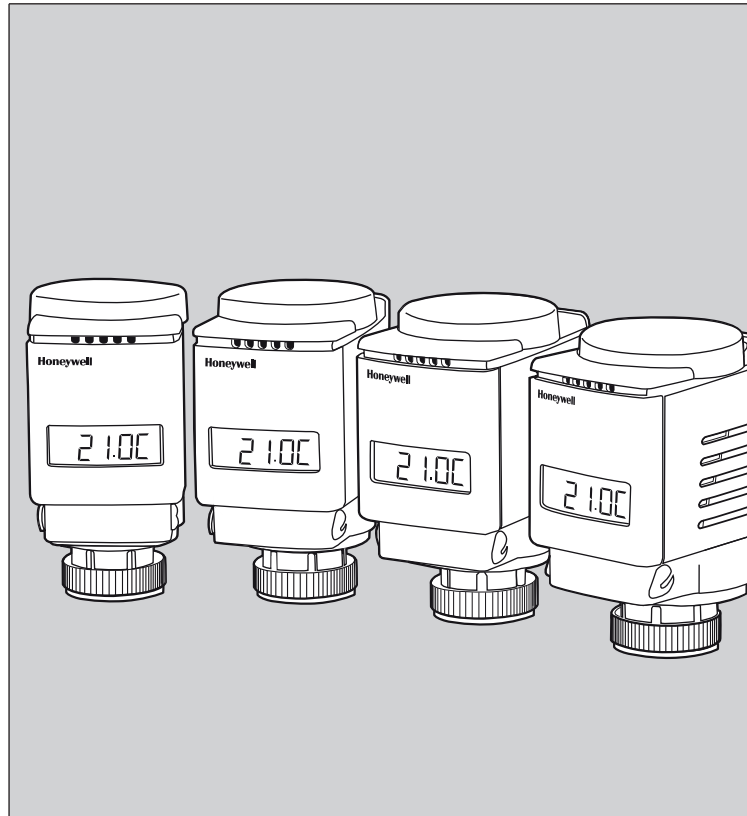
ZONING PACK

FEATURES

- Compatible with evotouch, CM Zone and CM927
- Energy Saving TPI Control
- Simple binding
- Wireless signal indicator
- Manual override
- Open window detection
- Frost protection
- Service mode for installers
- Battery powered 2x AA (included)
- Low battery indicator

OPTIONS

- Valve adaptors
- Security cover



APPLICATION

The evohome Zoning Pack contains four HR80UK wireless radiator thermostats. It is designed to provide individual radiator control with multi point boiler interlock in heating systems where zoning is required. It can be fitted easily to most conventional radiator valves.

The HR80UK can be manually adjusted to temporarily override the set temperature from the controller. This will create a demand and fire the boiler, until the next switching time at the controller.

evotouch provides the setpoint via the wireless connection. The internal sensor of the HR80UK measures the local air temperature, compares this with the setpoint and adjusts the valve until the desired temperature is attained.

If the HR80UK detects a sudden drop in temperature (ie if a window or door is opened) then the valve will be moved to a closed position to save energy. Normal operation will be resumed automatically once the window or door is closed and temperature stabilised.

For very large properties, connect up to four evotouches to a BDR91 receiver to control up to 32 zones. Add an unlimited number of HR80UK thermostats to control them. Ideal for multi occupancy buildings such as flats.

■ Installation

Can be fitted easily to most conventional radiator valves. Follow the instructions supplied with the HR80UK then simply remove the old valve head and screw on an HR80UK.

Notes

The HR80UK coupling piece has a 30 x 1.5mm thread which is common amongst many manufacturers, adaptors are available for non standard bodies (see below).

■ Ordering Specification

HR804UK Zoning Pack
Four wireless radiator thermostats

HR80UK
One wireless radiator thermostat

HVS80
Security cover for HR80UK

EVA1
Adaptor to fit Danfoss RA valve body

HU01
Adaptor to fit Oventrop valve body

HU02
Adaptor to fit Herz valve body

■ Specification

Power Supply : 2x AA batteries (included)

Temperature Setting Range : 5°C to 30°C

Humidity : 5 to 93%

Storage conditions : -20°C to 70°C

Stroke : 3.2mm

Closing Dimension : 11.5mm

RF Band  : 868 Mhz

Standards : CE marked

■ Dimensions (mm)

