

CYLINDER THERMOSTATS

L641A/L6190B

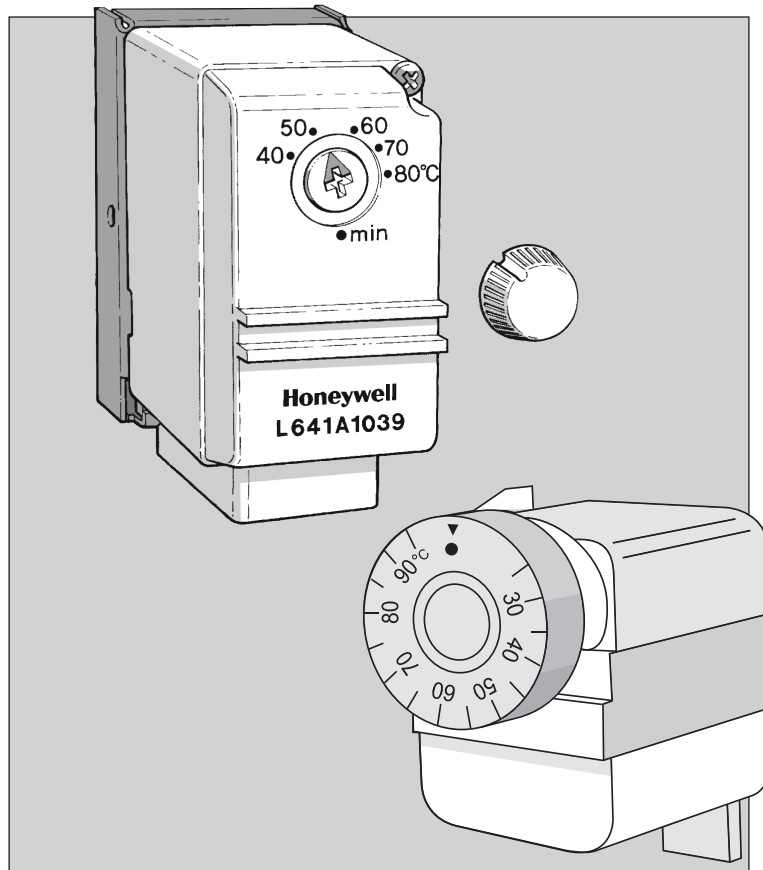
FEATURES

L641A

- Ideal for general applications
- Suitable for use on uninsulated and foam lagged cylinders
- Surface mounted
- Double insulated
- Dial or screwdriver slot temperature adjustment
- Cylinder strap & hooks

L6190B

- Commercial construction
- Large adjustment dial
- Wide temperature range
- Liquid-filled probe
- Surface mounted



APPLICATION

The L641A Cylinder Thermostat is designed for surface mounting on domestic hot water cylinders. It can be used to switch directly a wet central heating circulating pump or boiler, or to operate spring return and motor open/motor close zone valves.

The L6190B is a high limit control thermostat, which has a tamperproof concealed adjustment. The liquid filled probe means highly responsive temperature control.

■ Installation

The **L6190** and **L641** can be installed horizontally or vertically. The Cylinder Thermostats can be fixed to the surface of a cylinder or pipework using the mounting straps provided and does not require the system to be drained.

If located on a cylinder, the recommended position is $\frac{1}{3}$ up from the bottom of the cylinder. Any foam lagging should be removed to allow firm contact with the cylinder.

■ Ordering Specification

L641A1039

Cylinder Thermostat, setting 40 to 80°C, Diff. 10°C. With strap & optional dial

L6190B1014

Cylinder Thermostat, setting 25 to 95°C, Diff. 12°C with strap

■ Specification

L641B

Switch Rating : 230VAC, 4A resistive, 2A inductive

Switch Type : Single pole, double throw (SPDT)

Ambient Temperature Range : 0 to 55°C

Surface Temperature Range : 0 to 95°C

IP Rating : IP40

Standards : EN 60730

Approvals : 89/336/EEC, 73/23/EEC

L6190B

Switch Rating : 250VAC, 10A resistive, 2.5A inductive

Switch Type : Single pole, double throw (SPDT)

Ambient Temperature Range : 0 to 70°C

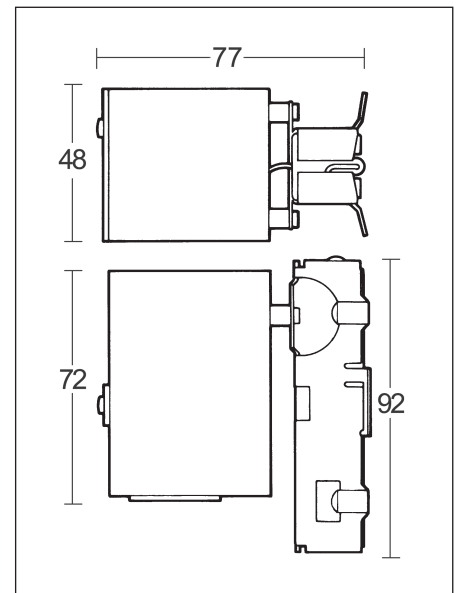
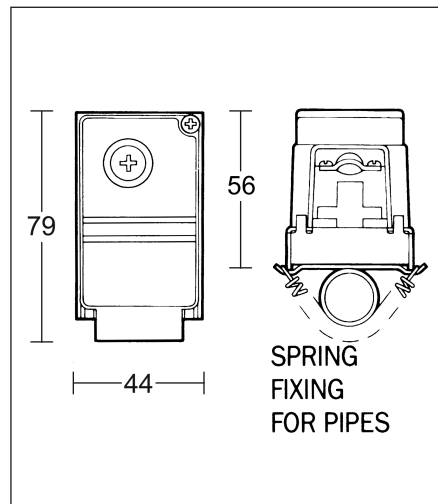
Surface Temperature Range : 0 to 95°C

IP Rating : IP40

Standards : CE, UL, AGA, CSA

Approvals : 73/23/EEC, DIN3440

■ Dimensions (mm)



■ Wiring

