



ST9400S Programmer With Boiler Service Reminder / Shut-down Feature INSTALLATION INSTRUCTIONS

Introduction

ST9400S is an Electronic Programmer which provides accurate time control for central heating systems with separate programmes for heating and hot water. It has an in-built Boiler Service Reminder / Shut-down Feature developed to assist Social Housing Landlords to comply with the requirements of Regulation 36 of the Gas Safety (Installation & Use) Regulations 1998. This is intended as an aid to compliance but should not be used to replace the Landlord's existing Servicing procedures.

ST9400S is suitable for replacing a wide range of Programmers on the market, and is a direct replacement for Honeywell ST6400 Programmers without the need for re-wiring.

ST9400S Programmers can be combined with other Honeywell controls such as Room Thermostats, Cylinder Thermostats, Wiring Centres and Zone or Diverting Valves to form a fully automatic central heating control system.

Specification

Power Supply: 230V~, 50...60Hz, 10W
Switch Action: 2 x SPDT
Switch Rating: 230V~, 50...60Hz, 3(3)A
Factory set clock
Power Reserve: lifetime battery
Programmes/Settings: permanently stored in NV RAM
Approvals: Conforms to protection requirements of Directives 2006/95EC and 89/336EC

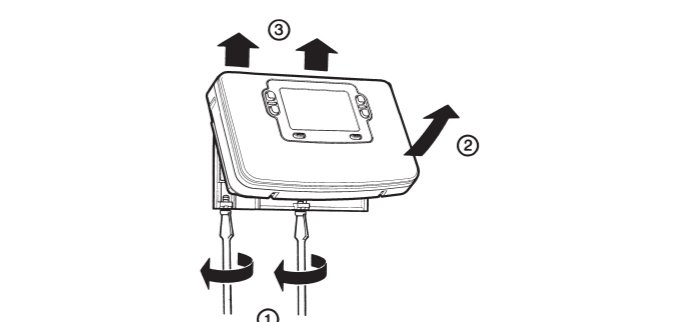
Mounting

If the ST9400S is replacing an existing ST6400 then the existing wall-plate and wiring may be used, subject to any required electrical checks.

The Programmer should be mounted at a level where the display can be seen clearly, (1.2 to 1.5m from the floor) and the ambient temperature is within the range of 0 to 40°C. The ST9400S is for use in normal domestic environments.

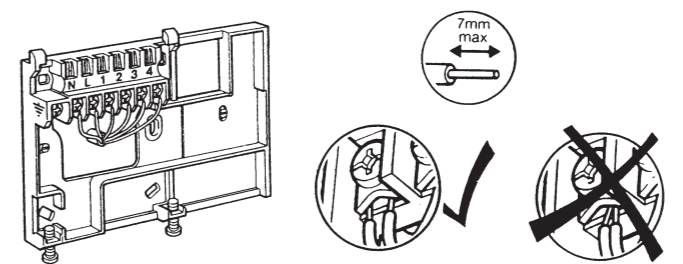
CAUTION

Isolate power supply and make safe before wiring the unit to prevent electric shock and equipment damage. Installation should be carried out by a qualified electrician or competent heating engineer.



To remove the unit from the wall-plate, slacken the two securing screws at the bottom of the ST9400S and hinge the unit up to separate the two halves.

Wiring



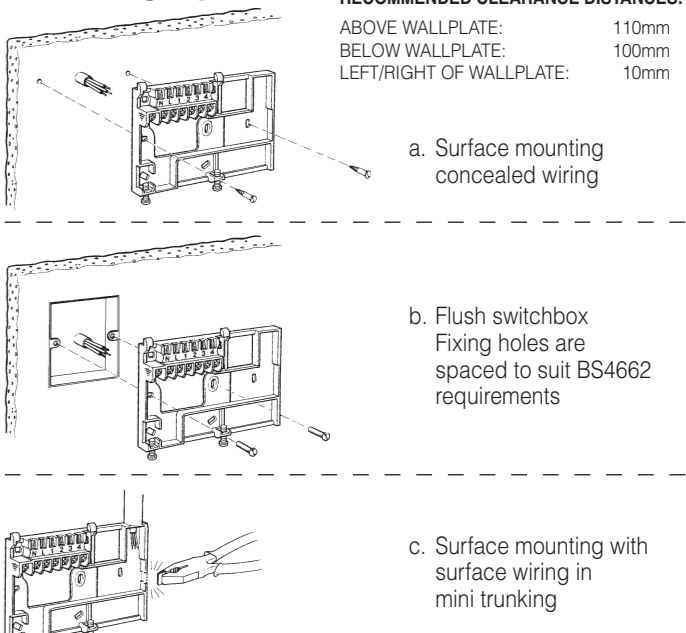
Final Assembly

Clip the unit onto the hinges on the top of the wallplate and hinge down into position. Tighten the two securing screws using a screwdriver.

Switch on the power – the unit will now be operating according to the built-in programme. Note : the ST9400S is supplied with a factory set clock for faster installation.

Refer to ST9400S User Guide for programming details.

Mounting Options



Ensure the mounting surface is supporting and fully covers the wiring wall-plate.

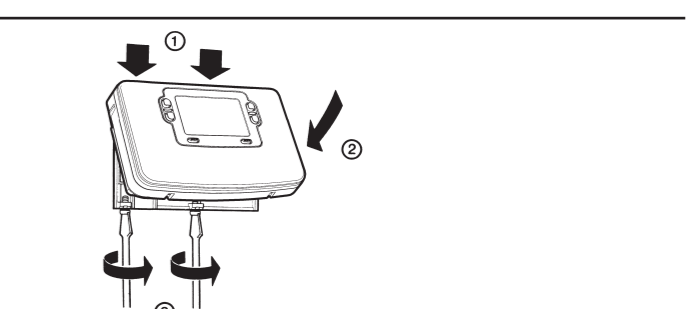
ALL WIRING MUST BE IN ACCORDANCE WITH I.E.E. REGULATIONS. THIS UNIT IS FOR FIXED WIRING ONLY.

A switch, having contact separation of at least 3mm in all poles (formerly Class 'A'), must be incorporated in the fixed wiring as a means of disconnecting the supply.

The unit is a Class II (double insulated) device. A parking terminal is provided for external earth continuity.

The system must be appropriately fused. A fuse rated at no more than 3 Amps should be installed.

The unit has 4 knockouts for surface wiring, care must be taken to ensure that the cable or mini-trunking completely fills the knockout hole without leaving any gaps.



Change PIN

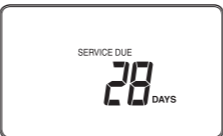
If you intend to change the PIN code, please ensure you take a note of the new code that you are setting.

The process for changing the current PIN code is as follows:

- Enter **Installer Modes** (as described on Page 3) and navigate to **CHANGE PIN** mode. In response to the query 'CHANGE PIN OK ?' press the **OK** button to enter **CHANGE PIN** mode.
- The message 'ENTER PIN' will now be displayed, along with the 4-digit entry code format 0---. The first digit will be flashing, to indicate it can be changed. Use the **+** or **-** buttons to set the first digit, and press **OK** to confirm the digit.
- At this point the first digit will stop flashing and the second digit will proceed to flash, indicating it can be changed.
- Proceed in this way to enter the 4 digits of the old PIN code. Upon confirming the last digit, if the PIN was incorrect, the message 'INVALID' will be displayed, and then the whole process will start again from step b. above.
- If the PIN was correct the message 'SET NEW PIN OK ?' will appear. As before, use the **+** or **-** buttons to set the digits, and the **OK** button to confirm. Upon confirming the final digit, the message 'PIN SET' will be displayed, and the new PIN code will be held on the screen for 5 seconds, to give you time to note it down.
- After setting the new PIN code, you will be taken back to the SETUP MENU.

What the User will See When a Service is Due

If the advance warning has been configured, the screen will flash this message every few seconds, and the User should telephone to arrange a service call before the final date when the service is due.



When the boiler service is overdue the screen will keep flashing the words "SERVICE DUE" every second.



If the **NO ACTION** option has been selected, the unit will continue to operate as normal and the real time will continue to be shown.



If the **SWITCH OFF** or **PROMPT** Actions have been selected, the "SERVICE DUE" message will flash and the word "OFF" will appear on the display. The boiler has been switched off to ensure the safety of the User. A service appointment should be arranged immediately.



In **PROMPT** operation, the User can obtain limited use of the boiler by pressing the **HEATING** or **HOT WATER EXTRA HOUR** buttons. Each button press will allow operation of the boiler for 1 hour at a time, and the screen will display the message "On1h", as shown. A service appointment should be arranged immediately.

If a contact telephone number has been programmed into the ST9400S, a message will appear on the *LoT™ Display* indicating the number that should be called.

Honeywell Control Systems Ltd.

Arlington Business Park,
Bracknell
Berkshire
RG12 1EB
Technical Help Desk: 08457 678999
www.honeywelluk.com



50022736-006 A
© 2007 Honeywell International Inc.

Honeywell

Set Service

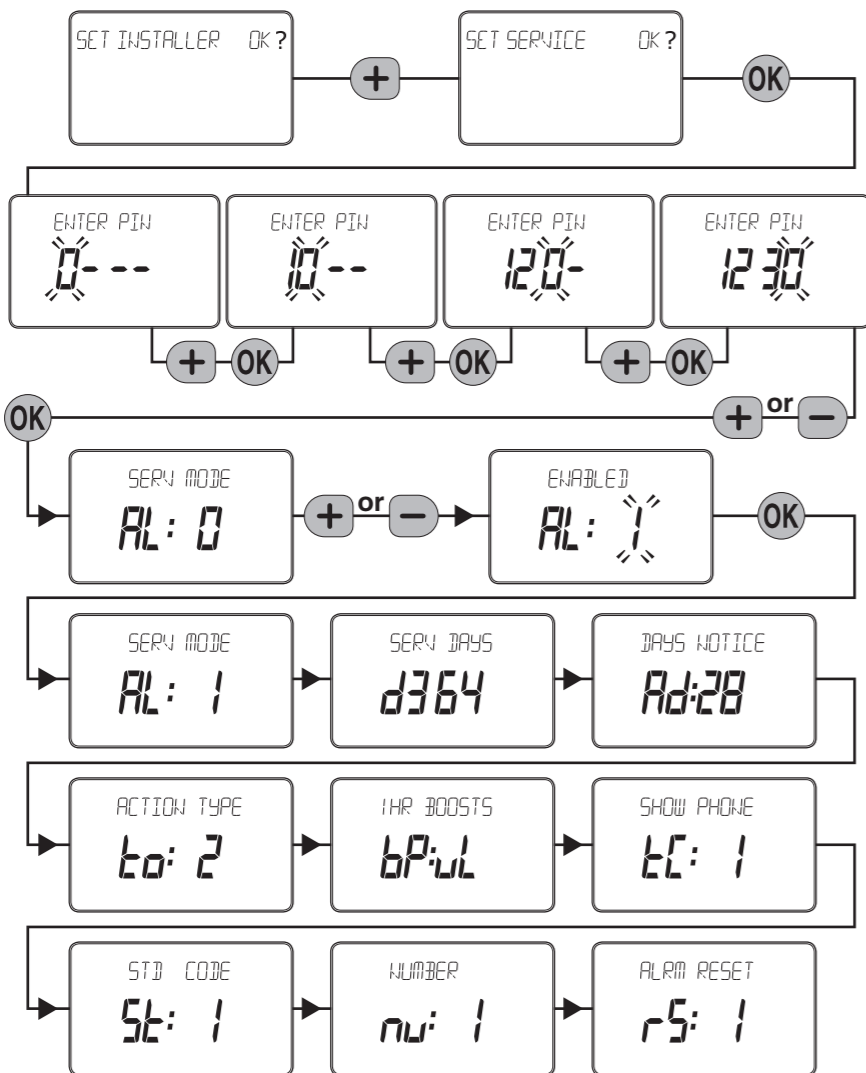
Set Service parameters are listed in the table below, along with a description of the options that are possible.

'SET SERVICE' PARAMETER	Parameter ID	LoT™ Display Description	Default Value	Range of Values	Description [LoT™ Display Description]
Enable or disable service alarm feature	AL	SERV MODE	0	0, 1	0 = disabled [DISABLED] 1 = enabled [ENABLED]
Number of days till next Service	d	SERV DAYS	364	001 to 400	001...400 [SET DAY COUNT] 000 = service is overdue
Number of days for advance warning	Ad	DAYS NOTICE	28	0 to 28	0 ...28 [SET DAYS NOTICE]
Action taken at time-out	to	ACTION TYPE	2	0, 1, 2	0 = no action, [NO ACTION] 1 = switch off, [SWITCH OFF] 2 = 'prompt' mode [PROMPT MODE]
Number of EXTRA HOUR button presses allowed in 'Prompt' mode	bP	1HR BOOSTS	uL	uL, 1 to 99	uL = unlimited number, [NUM BOOSTS] 1...99 = specified number of button presses, after which unit switches off
Enable telephone call number display	tC	SHOW PHONE	0	0, 1	0 = disabled [DISABLED] 1 = enabled [ENABLED]
Enter telephone STD code	St	STD CODE	-----	1	When a + or - button is first pressed the <i>LoT™ Display</i> shows a row of dashes which can be adjusted using + or - buttons, then verified using the OK button.
Enter telephone number	nU	NUMBER	-----	1	When a + or - button is first pressed the <i>LoT™ Display</i> shows a row of dashes which can be adjusted using + or - buttons, then verified using the OK button.
* Reset 'SET SERVICE' parameters to default values	rS	ALRM RESET	1	0,1	0 = do not reset [NO RESET] 1 = default parameters [RESET]

* This parameter by default has a value of 1, unless any other parameter is adjusted, when it will change to 0. Set it to 1 to reset all parameters back to defaults

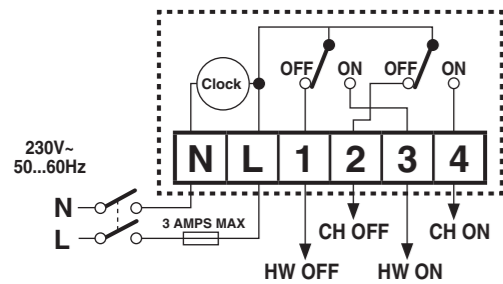
To Enter Set Service Mode:

- Enter **Installer Modes** (as described on Page 3) and navigate to **SET SERVICE** mode. In response to the query 'SET SERVICE OK ?' press the **OK** button to enter SET SERVICE.
- The message 'ENTER PIN' will now be displayed, along with the 4-digit entry code format 0---. The first digit will be flashing, to indicate it can be changed. Use the **+** or **-** buttons to set the first digit, and press **OK** to confirm the digit.
- At this point the first digit will stop flashing and the second digit will begin to flash, indicating it can be changed.
- Proceed in this way to enter the 4 digits of the PIN code. Upon confirming the last digit, if the PIN was incorrect, the message 'INVALID' will be displayed, and then the whole process will start again from step b. above.
- If the PIN was correct, the first SET SERVICE parameter AL will be available to change. This allows you to enable or disable all the service alarm features. At every step, the *LoT™ Display* will inform you what the parameter means and what option you have selected. The parameter ID is usually shown on the display separated by a colon from the parameter value.
- You can change the parameter value by pressing the **+** or **-** buttons. At this point the description in the *LoT™ Display* will change and the parameter value will flash. If you press **OK** the value will stop flashing and will be saved for use.
- Press **OK** to move to the next parameter available for editing. The parameter ID will change accordingly.
- Keep pressing **OK** to step around the list of parameters, and use **+** or **-** buttons to change the parameter value.
- Any parameter changes that have been confirmed with the **OK** button will be saved and used. Some parameters may be made invalid by a previous parameter setting, and these will be skipped over in the setting process.



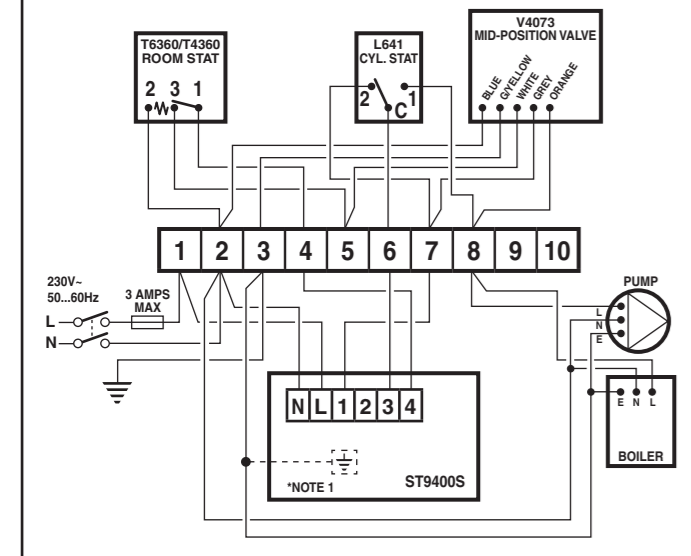
WIRING CONNECTIONS

ST9400S Internal Wiring

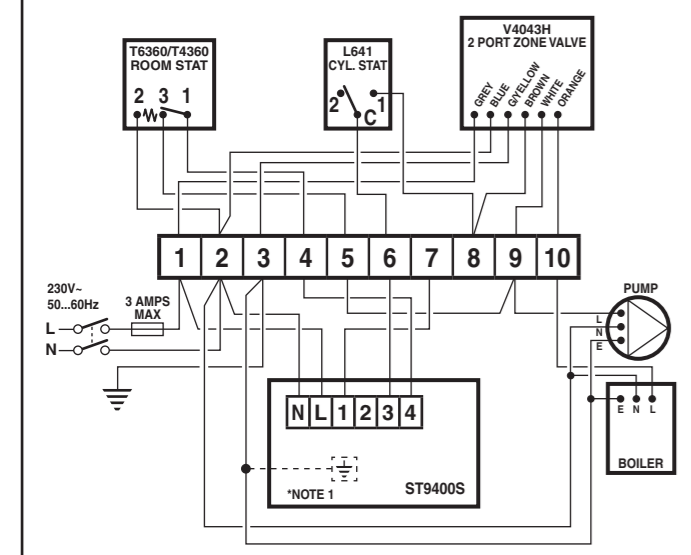


Sundial Plan Wiring Diagrams

Y-Plan



C-Plan



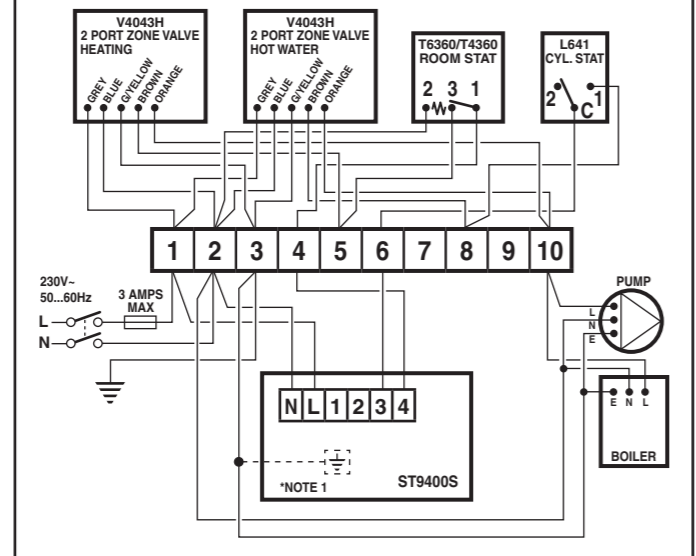
Alternative Wiring Connections for other Honeywell Room Thermostats

Y-Plan, S-Plan, and C-Plan Systems										
10-WAY WIRING STRIP	1	2	3	4	5	6	7	8	9	10
Honeywell T6360 ROOM-STAT		2		1	3					
Honeywell ELECTRONIC THERMOSTAT (BATTERY POWERED)				A	B					
Honeywell WIRELESS THERMOSTAT (RECEIVER UNIT)*	L	N		A	B					

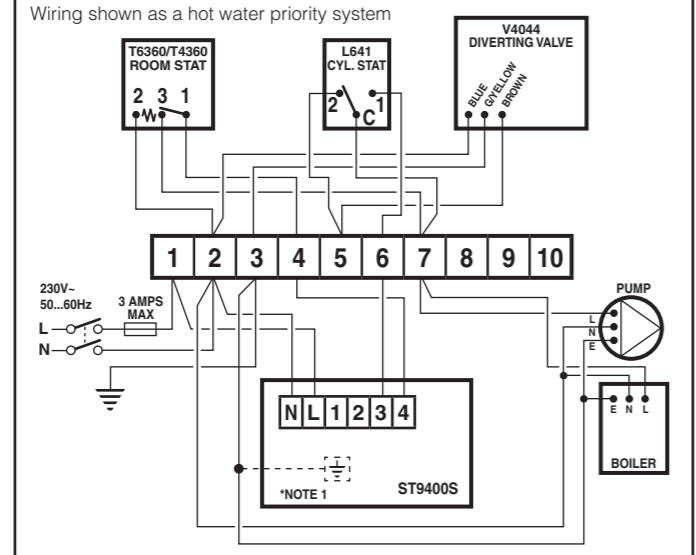
Notes

- The ST9400S is a Class II (double insulated) device. A parking terminal is provided for earth wiring continuity, if required.
- In the Sundial S-Plan, W-Plan, and Y-Plan wiring diagrams, connections are shown to basic boilers only. For wiring connections to Pump over-run boilers refer to Boiler manufacturers' instructions or to Honeywell for assistance.
- It is recommended that gravity circulation hot water systems are fitted with a suitable hot water control valve as shown in the Sundial C-Plan system.

S-Plan



W-Plan



W-Plan System										
10-WAY WIRING STRIP	1	2	3	4	5	6	7	8	9	10
Honeywell T6360 ROOM-STAT		2		1			3			
Honeywell ELECTRONIC THERMOSTAT (BATTERY POWERED)				A			B			
Honeywell WIRELESS THERMOSTAT (RECEIVER UNIT)*	L	N		A			B			

Replacement Wiring

If using the ST9400S to replace other Honeywell Programmers, the equivalent wiring terminations are shown in the tables below.

ST6200/ST6300/ST6400	L	N	1	2	3	4			
ST9400S	L	N	1	2	3	4			

ST699/ST799	L	N	3	4	5	6	7	8
ST9400S	L	N	4	2	not connected	3	1	not connected

ST7100	L	N	3	4	5	6	7	8
ST9400S	L	N	not connected	2	4	not connected	1	3

Replacing Other Manufacturers' Time Controls

ST9400S Programmers will mount directly onto many existing manufacturers' back-plates, without the need for re-wiring. However, they are also supplied complete with a wiring back-plate, should this not be the case.

Refer to Honeywell for wiring conversion diagrams (see Wiring Guide document EN3H 2393 UK01).

ADDITIONAL PRODUCT FEATURES

Boiler Service Reminder / Shut-down Feature

The ST9400S Service Interval Programmer has been developed to assist Social Housing Landlords to comply with the requirements of Regulation 36 of the Gas Safety (Installation & Use) Regulations 1998. It is intended as an aid to compliance but should not be used to replace the Landlord's existing Servicing procedures.

The ST9400S performs like a standard programmer. In addition it can automatically provide a Service Reminder and can be set to Shut-down the heating / hot water system once the gas Boiler Service becomes overdue. This helps to eliminate the potential for an incident to occur after the Landlord's Safety Certificate has expired.

The operation of the Service Feature is flexible. The landlord or installer can set the following:

- The service interval, in days
- An advance reminder for the tenant, by counting down days until service is due
- A telephone number to call to arrange the service – displayed on the LCD screen
- How the timer will operate when the service interval has expired. The options include:
 - Continued normal operation with a Reminder message
 - Total shutdown of heating and hot water
 - "Prompt" mode – shutdown that will allow repetitive manual over-ride for one hour at a time.

The Service feature is configured from a special Installer Mode called 'SET SERVICE'. Entry into this mode is only possible by entering a unique 4 digit PIN code.

Note: The ST9400S is supplied from the factory with the Service features DISABLED. They need to be enabled from the Installer Modes. See following section 'Installer Modes' for details.

Installer Modes

ST9400S has 3 Installer Modes that enable the product to be customized for the application and for the needs of the User. Each adjustable feature is called a Parameter, and is represented by a number or letter ID and a value. The Modes are:-

- Installer Setup**
This is the same as the Installer Setup for standard ST9000 time controls. It allows features to be adjusted to suit user lifestyles or preferences, for example; backlight operation, automatic time-change, and selection of the default time programme. It is entered by a combination of button presses.
- Set Service**
This is where the ST9400S Boiler Service Reminder and Shut-down Features can be set. This mode can only be entered by using a 4 digit PIN code. The factory supplied default PIN code is 0000
- Change PIN**
This mode allows the 4-digit PIN code to be adjusted. It is itself protected by the PIN code. When the code is changed this new code is used to enter both SET SERVICE and CHANGE PIN modes.

To Enter & Navigate Around the Installer Modes:

- Ensure the slider is in the **RUN** position, then press and hold **OK** and **DOWN** buttons together for 8 seconds. Ignore the 'NOT VALID' that is displayed for a few seconds. The message 'SET UP MENU' will show briefly, to indicate you have entered the Setup menu. The *LoT™ Display* will continue to show messages indicating which Installer Mode is possible to select, for example 'SET INSTALLER OK ?'
- Use the **UP** or **DOWN** buttons to navigate to the correct Installer Mode.
- Use the **OK** button to confirm you wish to enter that particular mode.

Installer Mode	LoT™ Display Message
Installer Setup	'SET INSTALLER OK ?'
Set Service	'SET SERVICE OK ?'
Change PIN	'CHANGE PIN OK ?'

To Exit Installer Modes:

You can exit the Installer Modes at any time by moving the slider to the next position and then back again to **RUN**. Any changes that have been confirmed will be saved and used.

Note: The Installer Modes and the Setup Menu will exit automatically after 10 minutes if the slider is not moved and no adjustments have been made in this time.

Installer Setup

Installer Setup parameters are listed in the table below, along with a description of the options that are possible.

INSTALLER PARAMETER	Parameter Number	LoT™ Display Description	Default Value	Range of Values	Description [LoT™ Display Description]
24hr or am/pm clock display	1	CLOCK MODE	12	12, 24	12 = am/pm display, [AM-PM] 24 = 24hr display [24 HOUR]
Configure backlight operation (backlight consumes no additional energy)	2	BACKLIGHT	2	0, 1, 2	0 = off, [NO B-LIGHT] 1 = on if button pressed, [B-L DELAY] 2 = on continuously [B-LIGHT ON]
Enable/disable auto time change	3	AUTO TIME	1	0, 1	0 = disabled, [NO CHANGE] 1 = enabled [TIME CHANGE]
Number of ON/OFFs per day	5	ON PERIODS	2	2, 3	2 = 2 on/off's per day, [2 PER DAY] 3 = 3 on/off's per day [3 PER DAY]
Select default time programme	6	DEF PROFILE	A	A, b, C	A = standard, [PROFILE A] b = at home, [PROFILE B] C = economy [PROFILE C]
* Reset all parameters	8	PROG RESET	1	0, 1	0 = do not reset [RESET OFF] 1 = default parameters [RESET ON]

* This parameter by default has a value of 1, if any other parameter is adjusted it will change to 0. Set it to 1 to reset all parameters back to defaults.

To Enter Installer Setup:

- Ensure the slider is in the **RUN** position, then press and hold the **OK** and **DOWN** buttons together for 8 seconds. Ignore the 'NOT VALID' that is displayed for a few seconds. The message 'SET UP MENU' will show briefly, followed by 'SET INSTALLER OK ?'
- Press the **OK** button to take you into the Installer Mode Parameter Menu.
- Parameter 1 is now available to change. This is to allow you to change the clock format from 12 hour AM/PM to 24 hour. At every step, the *LoT™ Display* will inform you what the parameter means and what option you have selected. The parameter number is shown on the display separated by a colon from the parameter value.
- You can change the parameter value by pressing the **UP** or **DOWN** buttons. At this point the description in the *LoT™ Display* will change and the parameter value will flash. If you press **OK** the value will stop flashing and will be saved for use.
- Press **OK** to move to the next parameter available for editing. The parameter number will change accordingly.
- Keep pressing **OK** to step around the list of parameters, and use **UP** or **DOWN** buttons to change the parameter value.
- Any parameter changes that have been confirmed with the **OK** button will be saved and used.

To Exit Installer Setup:

You can exit Installer Mode at any time by moving the slider to the next position and then back again to **RUN**.

Note: Installer Mode will exit automatically after 10 minutes if the slider is not moved.

