

Replacing Other Manufacturers' Time Controls

Refer to Honeywell for wiring conversion diagrams.

Completion Checklist for Installation

1. Check unit powers up correctly, and that the display does not remain blank.
2. Set Zone 1 and Zone 2 operating modes to **AUTO** and switch Zone 1 and Zone 2 on and off using the **OVERRIDE** buttons, to ensure the system is operating correctly.
3. Check the factory-set day, date, and time are correct and adjust if necessary. Refer to the User Guide for details.
4. If required, enter Installer Mode and adjust Installer Parameters to match the lifestyle and needs of the User. Remember to make a note of these parameter changes in the Configuration Data section of the User Guide. Also note here how the zones have been set.
5. Explain the operation of the product to the User and help them to set their Zone 1 and Zone 2 programmes. There are 3 built-in profiles that can be used as a basis for typical User programmes.
6. If required, attach the self-adhesive programme guide label to the underside of the cover flap. The label is supplied in the box and requires to be peeled away from the backing material before use. Write details of how the zones have been configured in the space provided.
7. Explain when the User should contact someone to arrange a Service Visit.
8. Write the date of installation, your name and telephone number in the space provided in the User Guide, in the section 'Boiler & System Service Log'
9. Remember to leave the User Guide and Installation Instructions with the User and remind them to keep them in a safe place. This forms part of a Home Information Pack.

ST9500C 2-Zone Programmer INSTALLATION INSTRUCTIONS



Introduction

ST9500 is an Electronic Programmer which provides accurate time control for central heating systems with separate 7 day programmes for two independent heating zones.

ST9500 Programmers can be combined with other Honeywell controls such as Room Thermostats, Cylinder Thermostats, Wiring Centres and Zone or Diverting Valves to form a fully automatic central heating control system.

Specification

Power Supply: 230V~, 50...60Hz, 10W
 Switch Action: 2 x SPDT
 Switch Rating: 230V~, 50...60Hz, 3(3)A
 Factory set clock
 Power Reserve: lifetime battery
 Programmes/Settings: permanently stored in NV RAM
 Approvals: Conforms to protection requirements of Directives 2006/95EC and 89/336EC

50022736-007 A

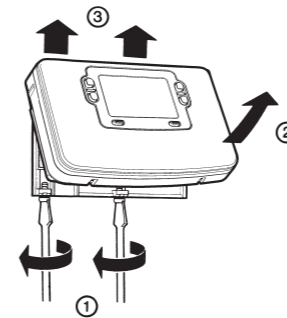
Mounting

The Programmer should be mounted at a level where the display can be seen clearly, (1.2 to 1.5m from the floor) and the ambient temperature is within the range of 0 to 40°C. The ST9500 is for use in normal domestic environments.

CAUTION

Isolate power supply and make safe before wiring the unit to prevent electric shock and equipment damage. Installation should be carried out by a qualified electrician or competent heating engineer.

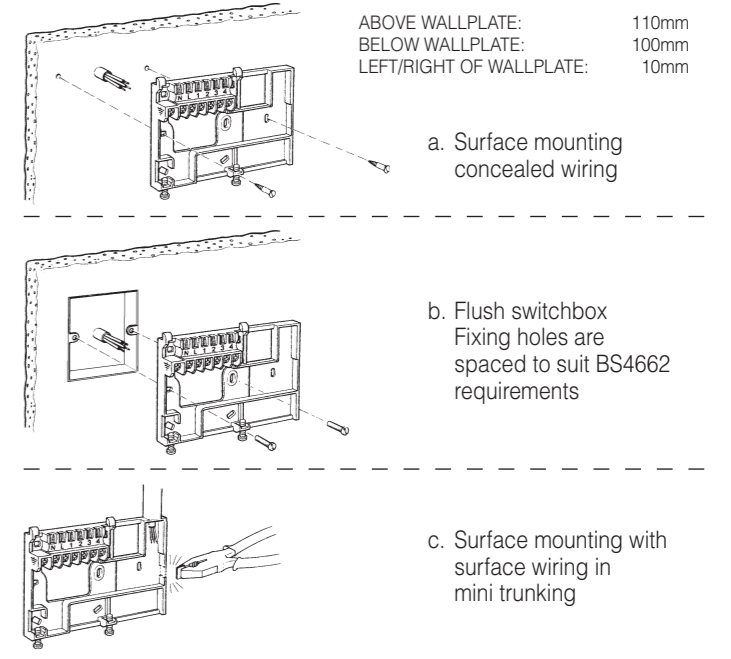
To remove the unit from the wall-plate, slacken the two securing screws at the bottom of the ST9500 and hinge the unit up to separate the two halves.



Mounting Options

RECOMMENDED CLEARANCE DISTANCES:

ABOVE WALLPLATE:	110mm
BELOW WALLPLATE:	100mm
LEFT/RIGHT OF WALLPLATE:	10mm



Ensure the mounting surface is supporting and fully covers the wiring wall-plate.

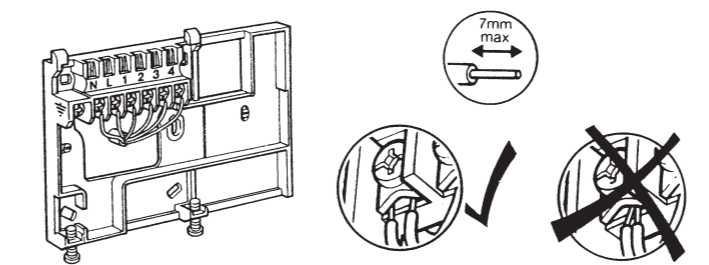
This product and its associated documentation and packaging are protected by various intellectual property rights belonging to Honeywell Inc and its subsidiaries and existing under the laws of the UK and other countries. These intellectual and property rights may include patent applications, registered designs, unregistered designs, registered trade marks, unregistered trade marks and copyrights.

Honeywell reserves the right to modify this document, product and functionality without notice. This document replaces any previously issued instructions and is only applicable to the product(s) described.

This product has been designed for applications as described within this document. For use outside of the scope as described herein, refer to Honeywell for guidance. Honeywell cannot be held responsible for misapplication of the product(s) described within this document.

Manufactured for and on behalf of the Environment and Combustion Controls Division of Honeywell Technologies Sarl, Ecublens, Route du Bois 37, Switzerland by its Authorised Representative Honeywell Inc.

Wiring



ALL WIRING MUST BE IN ACCORDANCE WITH I.E.E. REGULATIONS. THIS UNIT IS FOR FIXED WIRING ONLY.

A switch, having contact separation of at least 3mm in all poles (formerly Class 'A'), must be incorporated in the fixed wiring as a means of disconnecting the supply.

The unit is a Class II (double insulated) device. A parking terminal is provided for external earth continuity.

The system must be appropriately fused. A fuse rated at no more than 3 Amps should be installed.

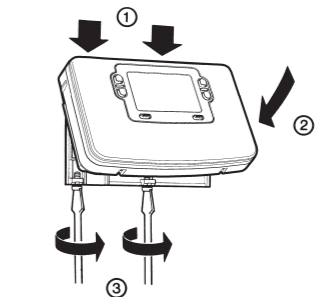
The unit has 4 knockouts for surface wiring, care must be taken to ensure that the cable or mini-trunking completely fills the knockout hole without leaving any gaps.

Final Assembly

Clip the unit onto the hinges on the top of the wallplate and hinge down into position. Tighten the two securing screws using a screwdriver.

Switch on the power – the unit will now be operating according to the built-in programme. Note : the ST9500 is supplied with a factory set clock for faster installation .

Refer to ST9500 User Guide for programming details.



Honeywell Control Systems Ltd.

Arlington Business Park,
 Bracknell
 Berkshire
 RG12 1EB

Technical Help Desk: 08457 678999
 www.honeywelluk.com

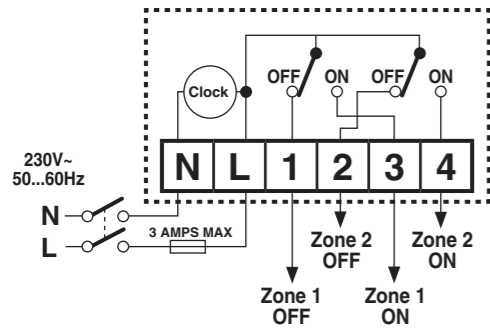


50022736-007 A
 © 2007 Honeywell International Inc.



WIRING CONNECTIONS

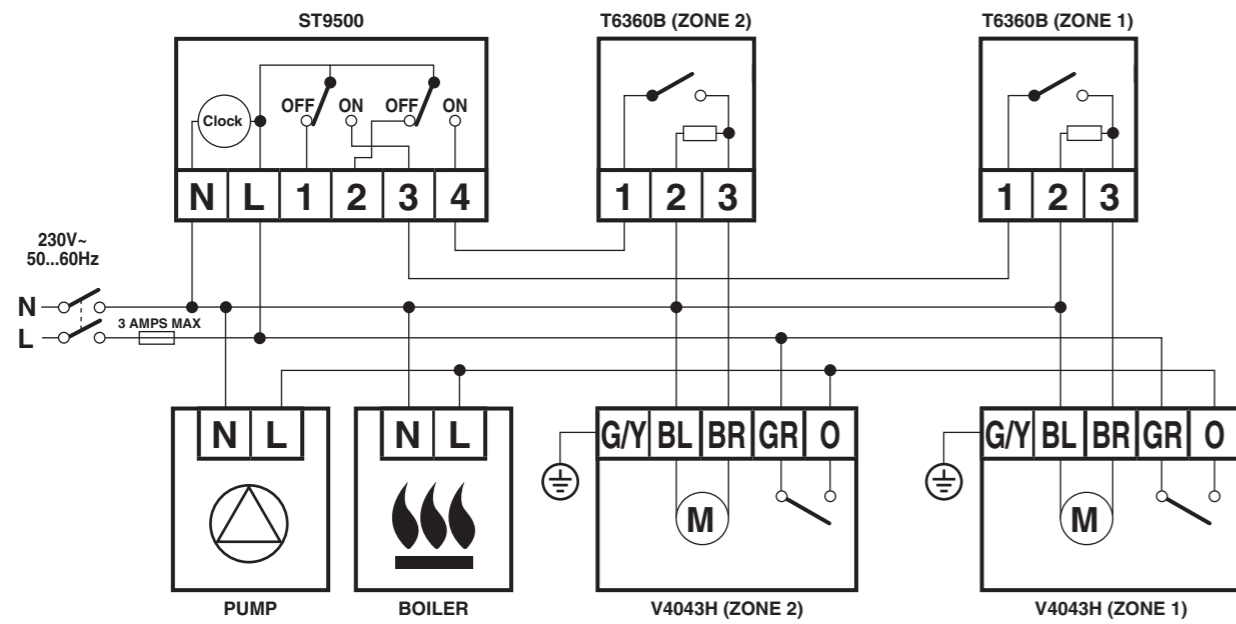
ST9500 Internal Wiring



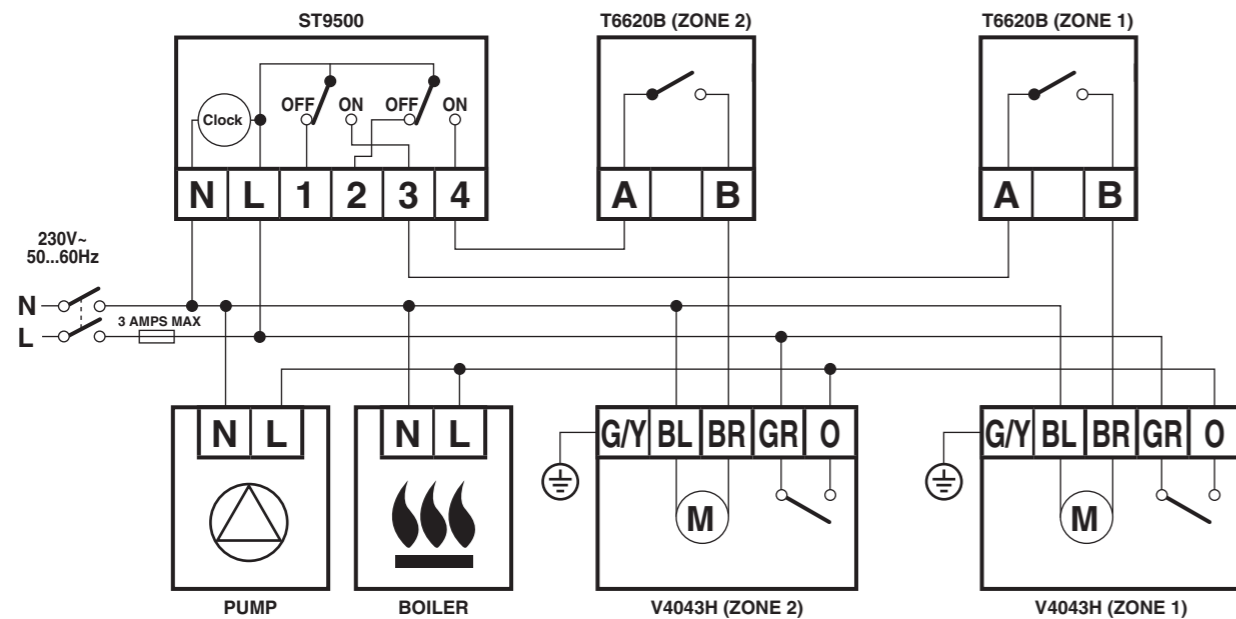
Notes

1. The ST9500 is a Class II (double insulated) device. A parking terminal is provided for earth wiring continuity, if required.
2. In the wiring schematics below, connections are shown to basic boilers only. For wiring connections to Pump over-run boilers refer to the boiler manufacturers instructions or to Honeywell for assistance.
3. Wiring schematics are shown for 2-Zone control using ST9500C and 2 Zone-valves. Please refer to Honeywell for other wiring and control options.

Control using Zone-valves: Wiring to Mechanical Thermostats



Control using Zone-valves: Wiring to Digital Thermostats



ADDITIONAL PRODUCT FEATURES

Installer Mode

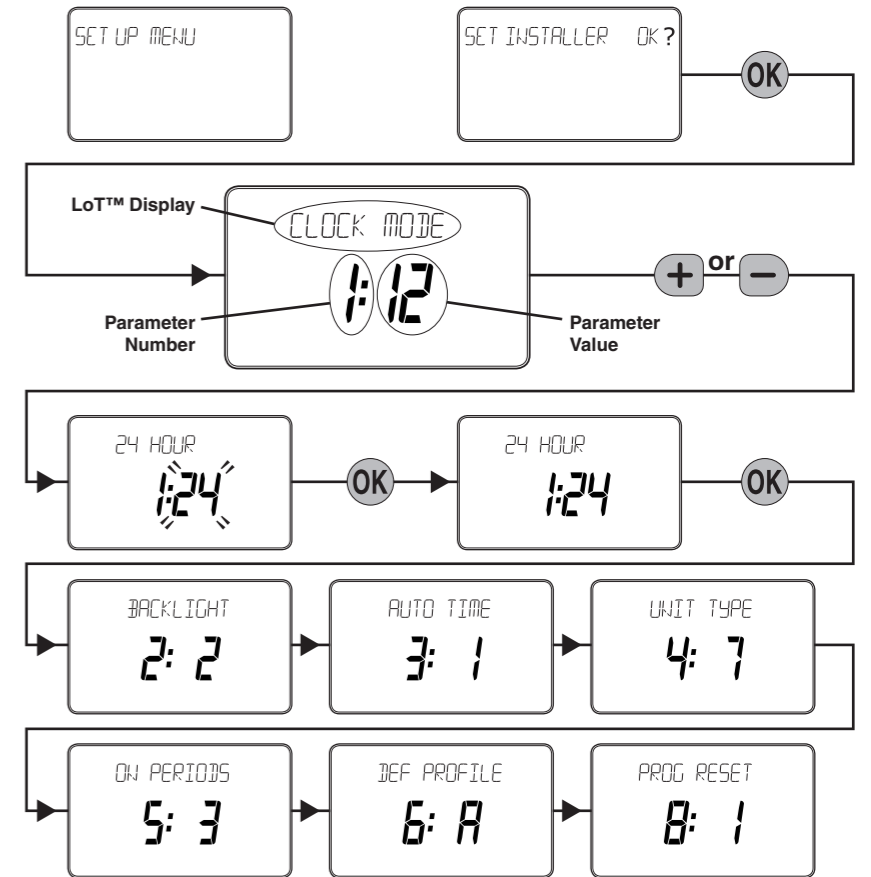
The ST9500 has a special Installer Mode where some features can be adjusted to suit user lifestyle or preferences – these are called installer Parameters, and are listed in the table below, along with a description of the options that are possible.

INSTALLER PARAMETER	Parameter Number	LoT™ Display Description	Default Value	Range of Values	Description [LoT™ Display Description]
24hr or am/pm clock display	1	CLOCK MODE	12	12, 24	12 = am/pm display, [AM-PM] 24 = 24hr display [24 HOUR]
Configure backlight operation (backlight consumes no additional energy)	2	BACKLIGHT	2	0, 1, 2	0 = off, [NO B-LIGHT] 1 = on if button pressed, [B-L DELAY] 2 = on continuously [B-LIGHT ON]
Enable/disable auto time change	3	AUTO TIME	1	0, 1	0 = disabled, [NO CHANGE] 1 = enabled [TIME CHANGE]
1-day or 5/2-day or 7-day operation	4	UNIT TYPE	7	1, 5, 7	1 = 1-day operation, [1-DAY] 5 = 5/2-day operation, [5-2 DAY] 7 = 7-day operation [7-DAY]
Number of ON/OFFs per day	5	ON PERIODS	3	2, 3	2 = 2 on/off per day, [2 PER DAY] 3 = 3 on/off per day [3 PER DAY]
Select default time programme	6	DEF PROFILE	A	A, b, C	A = standard, [PROFILE A] b = at home, [PROFILE B] C = economy [PROFILE C]
* Reset all parameters	8	PROG RESET	1	0, 1	0 = do not reset [RESET OFF] 1 = default parameters [RESET ON]

* this parameter by default has a value of 1, unless you change any other parameter, when it will change to 0. Set it to 1 to reset all parameters back to defaults.

To Enter Installer Mode:

- Ensure the slider is in the RUN position, then press and hold the **OK** and **⊖** buttons together for 8 seconds. Ignore the 'NOT VALID' that is displayed for a few seconds. The message 'SET UP MENU' will show briefly, followed by 'SET INSTALLER OK?'
- Press the **OK** button to take you into the Installer Mode Parameter Menu.
- Parameter 1 is now available to change. This is to allow you to change the clock format from 12 hour AM/PM to 24 hour. At every step, the LoT™ Display will inform you what the parameter means and what option you have selected. The parameter number is shown on the display separated by a colon from the parameter value.
- You can change the parameter value by pressing the **⊕** or **⊖** buttons. At this point the description in the LoT™ Display will change and the parameter value will flash. If you press **OK** the value will stop flashing and will be saved for use.
- Press **OK** to move to the next parameter available for editing. The parameter number will change accordingly.
- Keep pressing **OK** to step around the list of parameters, and use **⊕** or **⊖** buttons to change the parameter value.
- Any parameter changes that have been confirmed with the **OK** button will be saved and used.



To Exit Installer Mode:

You can exit Installer Mode at any time by moving the slider to the next position and then back again to RUN.

Note: Installer Mode will exit automatically after 10 minutes if the slider is not moved.