



Valves for Heating System Control

Thermostatic Radiator Valves

Manual Radiator Valves

Motorised Zone Valves

Domestic Heating System Valves

Valves for Heating System Control

Controlling domestic heating isn't all about the thermostats, programmers and timers. If these controls are the brains of the systems, it's the valves in the system that control the flow of the heating water around the house, effectively acting as the lungs of the house. It is vital that the heating system has the right valves for the right application but you should also ensure that you make the best possible product selection by:

- Opting for Motorised Zone Valves that are easy to service and have moving parts that are easy to replace without draining the system down
- Making sure that you source all your components from a recognised manufacturer that can offer you the full range of solutions you need
- Choosing the right Thermostatic Radiator Valves with the required functionality and the aesthetics to add to the décor
- Ensuring you get the product that gives you the best energy efficiency for the property.

Why Honeywell Motorised Valves?

- Industry leading 2 port and mid position motorised valves
- Easy to wire and install
- Used in a wide range of flow control applications in domestic and light commercial central heating systems
- Spare parts available—can be fitted without drain down.



Why Honeywell TRVs?

- Attractive TRV Heads offer choice for the customer
- Matching valve body across the Traditional and Classic designs
- Choice of fitting size and push fit fittings available
- Integrated balancing allows for radiator removal without affecting the balance of the system.



Why Honeywell Domestic control?

- Control valves for a wide variety of applications.



Contents

Thermostatic Radiator Valves and manual valves

| | |
|---|---|
| HR92 evohome Electronic Radiator Valve Controller | 3 |
| HR90 Locally Programmable Electronic Thermostatic Radiator Valve Controller | 3 |
| Valencia Traditional TRV | 4 |
| Valencia Classic TRV | 4 |
| VT15 'Contract' Thermostatic Radiator Valve | 5 |
| Valencia Manual Radiator Valve Pack | 5 |
| Honeywell 'Design' Radiator Valves and matching Lockshield Valves | 5 |

Honeywell Heating Valve Accessories

| | |
|-----------------------------|---|
| Heads and Valve Accessories | 7 |
|-----------------------------|---|

Motorised Zone Valves

| | |
|-------------------------------------|---|
| V4043 Motorised Two Port Zone Valve | 7 |
| V4073A Motorised Mid-Position Valve | 8 |
| V4044C Motorised Diverter Valve | 8 |
| Motorised Zone Valve Spares | 9 |

Domestic Heating System Valves

| | |
|-------------------------------------|----|
| EA122 Automatic Air Vent | 10 |
| DU144 Automatic Bypass Valve | 10 |
| DU145 Angled Automatic Bypass Valve | 11 |
| VF06 Sealed System Filling Valve | 11 |

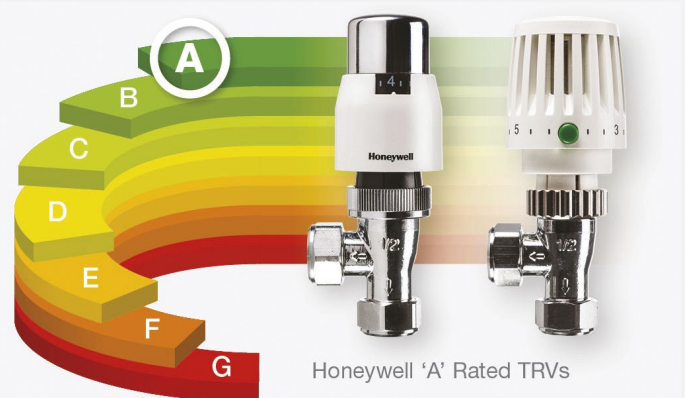
Thermostatic Radiator Valves and manual valves

Control the temperature of individual rooms to save additional energy

The Honeywell range of Thermostatic Radiator Valves combine good looks with modern expertise to provide highly effective individual room control irrespective of pipe size or radiator type. The comprehensive range of mechanical fittings means that you only have to choose Honeywell for all your radiator valve requirements.

All our Valencia TRVs include our advanced technology integrated balancing valve that allows the radiators to be balanced and then the balancing to be maintained when the radiator is temporarily removed to decorate the walls, paint the radiator or clean the heating system.

Our products provide the levels of control and comfort that support high levels of energy efficiency. Also, we always look to work with reputable classification systems so we can visibly demonstrate the efficiency of our products.



Honeywell 'A' Rated TRVs

The European TELL certification promotes responsible energy usage and provides information to customers when selecting products.



Our Classic and Traditional TRVs are TELL, EN215 & Keymark certified for 'A'-rated efficiency.

HR92 evohome Electronic Radiator Valve Controller

Attractively designed

These slim, ergonomically designed radiator controllers will fit on most standard TRV bodies. They are battery powered with a two year battery life and a battery low reminder visible on both the radiator controller screen and the evohome controller screen. The flip-up screen is backlit and can be positioned so that it can be easily viewed or folded away flat.

Easily integrated into the evohome control system



Full of features

The backlit LCD screen displays the zone name and local set point temperature. The local set point temperature can easily be overridden by turning the dial at the top of the radiator controller. Override temperatures can be set in half degree increments and are effective until the next scheduled temperature change. There is an open window feature that recognises a sudden temperature drop and shuts off the local radiator.

Simple to install

Radiator controllers provide the optimum solution for installers when considering installing heating zones as there are no additional zone valves required, which makes installation a lot quicker and cleaner. With existing TRV bodies already in place there is no need to drain down the system and they will fit on most compact radiators.

Controllers to be used as part of an evohome multi-zone system are available either individually or as a pack of four.

The HR92 should be used as part of an evohome multi-zoning system

| | |
|---------|---|
| HR924UK | The evohome Radiator Multi-Zone Kit 4 wireless thermostatic Radiator Controllers |
| HR92UK | 1 x evohome Radiator Controller |

For more information about the evohome system and the benefits which it provides go to evohome.info.com

HR90 Locally Programmable Electronic Thermostatic Radiator Valve Controller

A 'stand alone' electronic thermostatic radiator controller with three levels of preset time control allowing an additional level of control.

Cannot be integrated into the evohome wireless radiator control system



- Different operating modes and particular day functions
- Times/Temperatures set locally using the keys and display on the HR90 head
- Easy to read backlit display
- Quick to install.

| | |
|------|---|
| HR90 | Electronic Thermostatic Radiator Controller |
|------|---|

Valencia Traditional TRV

The Valencia valve and matching lockshield valve uses the stylish manual body to ensure that there is a common look and feel in all situations where you need an electronic, a classic or a traditional TRV or a manual valve.



- Liquid sensor provides consistent and long-lasting performance
- Bi-directional flow valves – fit to either end of radiator with no need to change valve flow direction after installation
- Sensor head may be mounted vertically or horizontally by using the interchangeable radiator tail and copper tube fittings
- Set and forget integrated balancing insert reduces risk of call back
- 6mm play on radiator tail piece to allow for variation in radiator distance from valve
- Easy grip, non-slip TRV head design
- Energy saving button alerts user to the economical setting for comfort
- Can be removed and replaced without draining down using special tool.

| | |
|----------------|--|
| VT117-15A | Traditional TRV 15mm Angled Body |
| VT117-15S | Traditional TRV 15mm Straight Body |
| VTL120-08S | Traditional TRV + Lockshield: 8mm Straight Body |
| VTL120-08A | Traditional TRV + Lockshield: 8mm Angled Body |
| VTL120-10A | Traditional TRV + Lockshield: 10mm Angled Body |
| VTL120-10S | Traditional TRV + Lockshield: 10mm Straight Body |
| VTL120-15A | Traditional TRV + Lockshield: 15mm Angled Body |
| VTL120-15D | Traditional TRV + Lockshield: 1 x Drain-off Tail Piece 15mm Angled Body |
| VTL120-15A- DP | Traditional TRV + Lockshield: 1 x Drain-off Tail Piece 2 x 10mm Push fittings; 15mm Angled Body |
| VTL120-15A-P | Traditional TRV + Lockshield: 2 x 10mm Push fittings; 15mm Angled Body |
| VTL120-15S | Traditional TRV + Lockshield: 15mm Straight Body |
| VTL120-15S-D | Traditional TRV + Lockshield: 1 x Drain-off Tail Piece 15mm Straight Body |
| VTL120-15S-DP | Traditional TRV + Lockshield: 1 x Drain-off Tail Piece; 2 x 10mm Push fittings; 15mm Straight Body |
| VTL120-15S-P | Traditional TRV + Lockshield: 2 x 10mm Push fittings; 15mm Straight Body |

Valencia Classic TRV

The Classic TRV senses the air temperature around it and can limit room temperature by regulating individual radiator output in wet central heating systems. Mounted on the matching Valencia valve body, this TRV can be visually matched with any other Honeywell TRV.



All Honeywell TRVs are easily upgradeable to evohome zoning system using the HR92UK

- A-rated energy saving performance
- Bi-directional flow valves – fit to either end of radiator with no need to change valve flow direction after installation
- Liquid sensor provides consistent and long-lasting performance
- Sensor head may be mounted vertically or horizontally by using the interchangeable radiator tail and copper tube fittings
- Set and forget integrated balancing insert reduces risk of call back
- Classic good looks designed to appeal to homeowners
- Removable insert (V100U) for ease of servicing

| | |
|---------------|---|
| VT200-15A | Classic TRV 15mm Angled Body |
| VT200-15S | Classic TRV 15mm Straight Body |
| VTL200-08A | Classic TRV + Lockshield: 8mm Angled Body |
| VTL200-08S | Classic TRV + Lockshield: 8mm Straight Body |
| VTL200-10A | Classic TRV + Lockshield: 10mm Angled Body |
| VTL200-10S | Classic TRV + Lockshield: 10mm Straight Body |
| VTL200-15A | Classic TRV + Lockshield: 15mm Angled Body |
| VTL200-15D | Classic TRV + Lockshield: 1x Drain-off Tail Piece 15mm Angled Body |
| VTL200-15A-DP | Classic TRV + Lockshield: 1x Drain-off Tail Piece 2 x 10mm Push fittings; 15mm Angled Body |
| VTL200-15A-P | Classic TRV + Lockshield: 2 x 10mm Push fittings; 15mm Angled Body |
| VTL200-15S | Classic TRV + Lockshield: 15mm Straight Body |
| VTL200-15S-D | Classic TRV + Lockshield: 1x Drain-off Tail Piece 15mm Straight Body |
| VTL200-15S-DP | Classic TRV + Lockshield: 1x Drain-off Tail Piece; 2 x 10mm Push fittings; 15mm Straight Body |
| VTL200-15S-P | Classic TRV + Lockshield: 2 x 10mm Push fittings; 15mm Straight Body |

- 15mm, 10mm and 8mm angled and straight bodies available
- 6mm play on radiator tail piece to allow for variation in radiator distance from valve.

Upgradeable TRV heads with different finishes

Match the TRV head to the décor of the room – easily interchangeable heads available as accessory packs. Choose from a Polished Chrome, a Brushed Chrome and a Black & Chrome finish. You can also order a replacement White TRV head.



T4221GB
Polished
Chrome

T4111GB
Brushed
Chrome

T4321GB
Black &
Chrome

T4021GB
Replacement
White

VT15 'Contract' Thermostatic Radiator Valve

The VT15 Radiator Thermostat, which has full CEN Standard approval to EN215, regulates individual radiator output in wet central heating systems.

- Bi-directional valve body and can be mounted vertically or horizontally at either end of the radiator
- 6mm of play on radiator tail piece to allow for variation in radiator distance from valve
- Wax sensor provides consistent and reliable performance
- Range stops included in head



Compatible with the evohome radiator controller

| | |
|---------|--|
| VH15-EG | Dual Function 15mm angled, Lockshield and Manual Valve |
| VT15-AG | Radiator Thermostat Valve with Reversible Flow, Angled Body and 8mm Connection and Instructions |
| VT15-BG | Radiator Thermostat Valve with Reversible Flow, Angled Body and 10mm Connection and Instructions |
| VT15-EG | Radiator Thermostat Valve with Reversible Flow, and 8mm Connection and Instructions |
| T9002W0 | Replacement Thermostatic Head |

- Valve can be removed/replaced without draining down the system using a special tool
- The matching lockshield can also be used as a manual valve and is suitable for two-pipe, fully pumped systems up to 10 bar static pressure.

Valencia Manual Radiator Valve Pack



Valencia manual valve and lockshields

Using the Valencia Manual Radiator Valve Pack ensures you can visually match with our electronic, traditional and classic TRV heads.

The Manual Valve allows the user to switch the radiator on/off and the lockshield valve limits water flow through individual radiators in wet central heating systems.

The valves can be mounted vertically or horizontally at either end of a radiator.

- Bi-directional flow design
- Positive shut off
- Can be removed without draining down using optional accessory.

| | |
|---------------|---|
| VHL120-08A | Manual Valve + Lockshield: 8mm Angled Body |
| VHL120-08S | Manual Valve + Lockshield: 8mm Straight Body |
| VHL120-10A | Manual Valve + Lockshield: 10mm Angled Body |
| VHL120-10S | Manual Valve + Lockshield: 10mm Straight Body |
| VHL120-15A | Manual Valve + Lockshield: 15mm Angled Body |
| VHL120-15D | Manual Valve + Lockshield: 1 x Drain-off Tail Piece 15mm Angled Body |
| VHL120-15A-DP | Manual Valve + Lockshield: 1 x Drain-off Tail Piece 2 x 10mm Push fittings; 15mm Angled Body |
| VHL120-15A-P | Manual Valve + Lockshield: 2 x 10mm Push fittings; 15mm Angled Body |
| VHL120-15S | Manual Valve + Lockshield: 15mm Straight Body |
| VHL120-15S-D | Manual Valve + Lockshield: 1 x Drain-off Tail Piece 15mm Straight Body |
| VHL120-15S-DP | Manual Valve + Lockshield: 1 x Drain-off Tail Piece; 2 x 10mm Push fittings; 15mm Straight Body |
| VHL120-15S-P | Manual Valve + Lockshield: 2 x 10mm Push fittings; 15mm Straight Body |

Honeywell 'Design' Radiator Valves and matching Lockshield Valves



A range of chrome designer TRVs and valves

| TRVs | Lockshields | TRV Heads | Handwheel |
|--|--|---|---|
| V2082ESL15UK 15mm Design Radiator Valve – Full Chrome, angled body | V2482E0015UK 15mm Design Lockshield Valve – Full Chrome, angle body | T4021GB White/Chrome Compatible with Radiator Valve Bodies | VA2200C002 Full Chrome Manual Handwheel for Radiator Valve body |
| V2082DSL15UK 15mm Design Radiator Valve – Full Chrome, straight body | V2482D0015UK 15mm Design Lockshield Valve – Full Chrome, straight body | T4111GB Brushed Chrome Compatible with Radiator Valve Bodies | |
| V2082RSL15UK 15mm Design Radiator Valve – Full Chrome, double angle right body | V2482R0015UK 15mm Design Lockshield Valve – Full Chrome, double angle right body | T4221GB Polished Chrome Compatible with Radiator Valve Bodies | |
| V2082LSL15UK 15mm Design Radiator Valve – Full Chrome, double angle left body | V2482L0015UK 15mm Design Lockshield Valve – Full Chrome, double angle left body | T4321GB Black/Chrome Compatible with Radiator Valve Bodies | |

Honeywell Heating Valve Accessories

Our Thermostatic and manual radiator valves are supported by a wide range of replacement heads and other accessories.

These are designed to ensure that, whatever application you need to cater for, there is a Honeywell product that you can use.

Robust TRV Heads

Ideal for Public Buildings, Schools, etc.

| | |
|---------|---|
| T7001W0 | Robust TRV Head with Zero Position |
| T700120 | Robust TRV Head with 2.0m remote sensor |



Remote TRV Heads

Ideal for Concealed and Low Surface Temperature Radiators

| | |
|-----------|--------------------------------|
| T950120W0 | 2.0m Remote Sensor and control |
| T950150W0 | 2.0m Remote Sensor and control |



Traditional TRV Head

Replace old, damaged or discoloured Traditional TRV heads with a new Traditional head

| | |
|-----------|---|
| T1001W0GB | Replacement Valencia Traditional TRV Head |
|-----------|---|



Valve accessories

Choose from a range of useful replacement parts or add integrated balancing or theft protection.

| | |
|-----------|--|
| H100-1/2A | Pack of 10 replacement Valencia Manual Heads |
|-----------|--|



| | |
|------------|--|
| TA6900A001 | Valencia White TRV Theft Protection Ring |
|------------|--|



| | |
|----------|--|
| V120-15A | Replacement Valencia TRV body with integrated balancing insert |
|----------|--|



| | |
|--------------|--|
| VS1200SLGB11 | Replacement Valencia Integrated Balancing Insert |
|--------------|--|



The V120-15A can also be used with an evohome HR92 if a replacement TRV body is required.

| | |
|------------|---|
| VA8200A001 | Valencia Insert replacement and cleaning tool |
|------------|---|



Motorised Zone Valves

Control the flow of hot water to the heat source (radiator or stored hot water)

The range of leading motorised zone valves provides a full set of solutions to suit all domestic heating installations.

The two port motorised valve has a wide range of flow control applications in domestic and light commercial central heating systems.

The motorised mid-position valves have been designed to control the flow of water in domestic central heating systems,

where both radiator and hot water cylinder circuits are pumped. They are typically suited for small to medium sized installations.

The motorised diverter valves are replacement products and have been designed to control the flow of water between heating and hot water in domestic fully pumped central heating systems.

V4043 Motorised Two Port Zone Valve



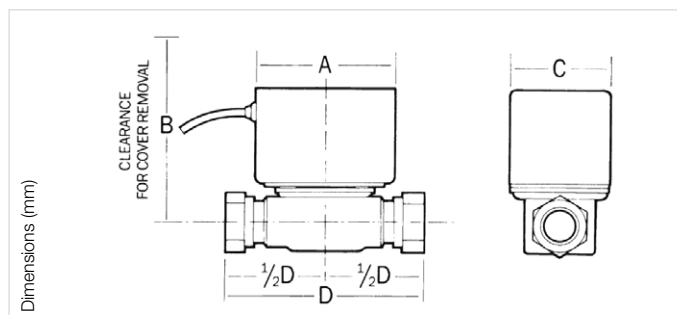
The V4043 series of two port Motorised Valves has a wide range of flow control applications in domestic and light commercial central heating systems.

The V4043H normally closed models have end switches for electrical control of pump and/or boiler. The V4043B normally open models are particularly applicable to control of solid fuel systems, since they will always fail-safe in the event of a power failure.

- Motor open
- Spring return action
- Manual lever for filling and draining the system
- Powerhead replaceable without draining down
- Potential free end switch for electrical control of pump and/or boiler
- Quiet operation, minimal power consumption.

Options

- Normally open and normally closed versions available
- 22mm/28mm or 1/2", 3/4", 1" BSP connections
- Replacement motor, replacement powerhead and replacement ball
- 'O' ring kit available.



| Dimensions (mm) | A | B | C | D |
|-----------------|----|----|----|------|
| | 87 | 98 | 60 | 1/2" |
| | | | | 2mm |
| | | | | 1" |
| | | | | 28mm |

Specifications – All Motorised Valves

| | |
|---------------------------|--|
| Power Supply | 230 VAC 50Hz |
| Power Consumption | 6W |
| Electrical Connections | 1m flying lead, heat resistant cable |
| Timings (Nominal) | Valve opens to Port A (from Port B) in 18 seconds (under power). Valve opens to Port B in 8 seconds (under spring return). Continuous operation of the valve motor at the fully open position (Port A only) is not recommended |
| Ambient Temperature Range | 5 to 50°C |
| Flow Temperature | 5 to 88°C |
| Static Pressure | 8.6 bar max |
| Flow Directions | Inlet Port AB: Port A open when energised; Port B open when deenergised |
| Standards & Approvals | CE, UL, CSA 89/336/EEC & 73/23/EEC |

| | |
|------------|---|
| V4043B1257 | Normally open, 22mm compression. No end switch. No manual lever. 6.9 kV. Maximum close-off differential pressure 0.55 bar |
| V4043B1265 | Normally open, 28mm compression. No end switch. No manual lever. 8.6 kV. Maximum close-off differential pressure 0.45 bar |
| V4043C1156 | Normally closed, 1/2" BSP female. No end switch. 3.0 kV. 1.38 bar max differential pressure |
| V4043H1056 | Normally closed, 22mm compression. SPST end switch. 6.9 kV. 0.55 bar max differential pressure |
| V4043H1007 | Normally closed, 3/4" BSP connections fittings. SPST end switch. 6.9 kV. 0.55 bar max differential pressure |
| V4043H1106 | Normally closed, 3/4" BSP connections fittings. SPST end switch. 6.9 kV. 0.55 bar max differential pressure |
| V4043H1080 | Normally closed, 3/4" BSP connections fittings. SPST end switch. 6.9 kV. 0.55 bar max differential pressure |

V4073A Motorised Mid-Position Valve

The V4073A Motorised Mid-Position Valve has been designed to control the flow of water in domestic central heating systems, where both radiator and hot water cylinder circuits are pumped. It is typically suited for small to medium sized installations.

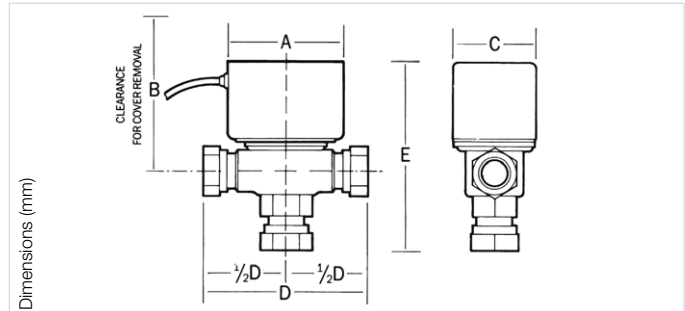


- Spring return action
- Three position operation
- Powerhead replaceable without draining down
- Manual lever for filling/draining down
- Quiet operation, minimal power consumption
- Provides electrical output to boiler and/or pump.

Options

- 22mm/28mm or 1/2", 3/4", 1" connections
- Replacement motor, replacement powerhead and replacement ball
- 'O' ring kit available.

| | |
|------------|--|
| V4073A1039 | 22mm compression. 6.0 kV. Maximum close-off differential pressure 0.69 bar |
| V4073A1054 | 3/4" BSP Female compression fittings. 6.0 kV. Maximum close-off differential pressure 0.69 bar |
| V4073A1088 | 28mm compression. 8.1 kV. Maximum close-off differential pressure 0.55 bar |
| V4073A1062 | 1" BSP Female compression fittings. 8.1 kV. Maximum close-off differential pressure 0.55 bar |



| | | | | | |
|---|------|-----|---|------|-----|
| A | 87 | | E | 3/4" | 124 |
| B | 98 | | | 22mm | 133 |
| C | 60 | | | 1" | 124 |
| | | | | 28mm | 137 |
| D | 3/4" | 94 | | | |
| | 22mm | 112 | | | |
| | 1" | 94 | | | |
| | 28mm | 117 | | | |

V4044C Motorised Diverter Valve

The V4044C Motorised Diverter Valve has been designed to control the flow of water between heating and hot water in domestic fully pumped central heating systems. The Diverter Valve will only allow flow to one zone at any one time.



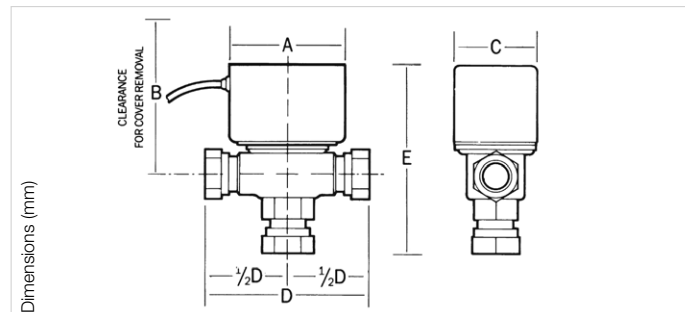
The V4044 is used in the Sundial W Plan Hot Water priority system.

- Spring return action
- Three position operation
- Powerhead replaceable without draining down
- Manual lever for filling/draining down
- Quiet operation, minimal power consumption
- Provides electrical output to boiler and/or pump.

Options

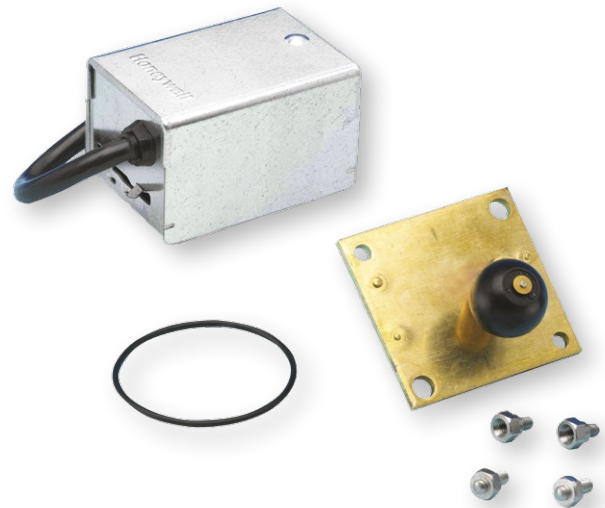
- 22mm/28mm or 1/2", 1" connections
- Replacement motor, replacement powerhead and replacement ball
- 'O' ring kit available.

| | |
|------------|--|
| V4044C1288 | 22mm compression. 6.0 kV. Maximum close-off differential pressure 0.69 bar |
| V4044C1098 | 3/4" BSP Female compression fittings. 6.0 kV. Maximum close-off differential pressure 0.69 bar |
| V4044C1569 | 28mm compression. 8.1 kV. Maximum close-off differential pressure 0.55 bar |
| V4044C1494 | 1" BSP Female compression fittings. 8.1 kV. Maximum close-off differential pressure 0.55 bar |



| | | | | | |
|---|------|-----|---|------|-----|
| A | 87 | | E | 3/4" | 124 |
| B | 98 | | | 22mm | 133 |
| C | 60 | | | 1" | 124 |
| | | | | 28mm | 137 |
| D | 3/4" | 94 | | | |
| | 22mm | 112 | | | |
| | 1" | 94 | | | |
| | 28mm | 117 | | | |

Motorised Zone Valve Spares



Replacement Motor Kit

The 40002737-003 Replacement Motor is suitable for all V4043 two port valves, V4044 three port diverter valves, and V4073 mid-position diverter valves, irrespective of valve body size and pipe connection type. The 40001011-002 Replacement Motor is suitable for old style V8043 and V8044 motorised valves.

It may also be used to provide 24 volt 50Hz motor operation on V4043 and V4044 series valves.

- One motor for all V4043, V4044 and V4073 series motorised valves
- Two wire connection – polarity free
- Insulated screw connectors provided.

Option

- 24 volt 50Hz motor.

Replacement Powerhead and Spares

The 40003916 Powerheads enable the complete powerhead assembly to be replaced without draining down on V4043, V4044 and V4073 series valves. On older style valves pre-1985, which do not have the replaceable head feature, the adaptor plate assembly can be used to upgrade the valves, to allow the replaceable powerhead to be used.

- One powerhead for each valve series
- Powerhead assembly can be replaced without draining down
- VC valve cartridges can be replaced without draining down.

Options

- Adapter plate assembly allows old style valves to be updated to replaceable powerhead type
- Ball and 'O' ring kit.

| Type | Order Code | Description | For Which Valves |
|---------------------------------|-------------------|--|---|
| Replacement Motor Kits | | | |
| 240 VAC replacement motor | 40002737-003 | Replacement motor kit with spare connectors, screws and full instructions | V4043 Motorised Zone Valve V4073 Motorised Mid-position Diverter Valve V4044 Motorised Diverter Valve |
| 24 VAC replacement motor | 40001011-002 | Replacement motor kit for low voltage applications with spare connectors, screws and full instructions | V4043A Motorised Zone Valve V4044C Motorised Diverter Valve |
| Replacement Powerheads | | | |
| Replacement Powerhead | 40003916-001 | Complete Powerhead Assembly | V4043 Motorised Zone Valve |
| Replacement Powerhead | 40003916-002 | Complete Powerhead Assembly | V4073 Motorised Mid-position Diverter Valve |
| Replacement Powerhead | 40003916-003 | Complete Powerhead Assembly | V4044 Motorised Diverter valve |
| Plate & Assembly Kit | | | |
| Plate & ball assembly kit | 40003918-006 | Plate & ball assembly kit – use with valves that do not have replaceable heads (Pre-1985) | V4043 Motorised Zone Valve V4073 Motorised Mid-position Diverter Valve V4044 Motorised Diverter Valve |
| Replacement 'O' Ring Kit | | | |
| Replacement 'O' ring kit | 272752A/U CARD | Replacement ball & 'O' ring kit | V4043 Motorised Zone Valve V4073 Motorised Mid-position Diverter Valve V4044 Motorised Diverter Valve |

Domestic Heating System Valves

Our range of automatic bypass valves is particularly beneficial in improving boiler efficiency and improving control of systems fitted with TRVs, through effective control of water flow.

Our range of valves saves energy by only allowing flow through the bypass when needed. Building regulations state that if a bypass is installed, an automatic bypass valve must be fitted.

EA122 Automatic Air Vent

The Automatic Air Vent EA122 is suitable for heating systems and other closed circuit hot water systems (not potable water) which require the efficient, automatic removal of air when a system is filling with water.



The vacuum break on the bottom of the valve prevents an air lock forming and encourages air to be released from water. The air vent can be fitted anywhere in the positive pressure side of the system where air is likely to be trapped.

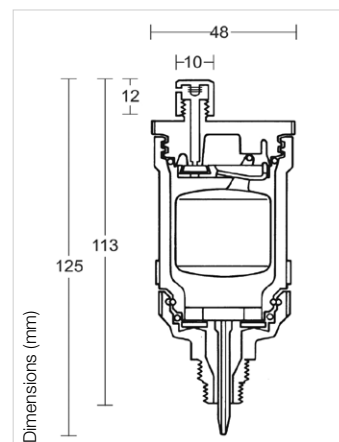
Air vents should always be fitted in an accessible area, which can be seen and serviced easily.

- Integral stop valve. Enables seat to be cleaned without draining the system
- Vacuum break ensures air collection
- Simple servicing and cleaning
- 1/8" and 3/8" BSP connections

- Expanding disc under cap helps prevent leaks due to dirt under seat
- 1/8" to 1/2" adaptor.

Option

- Q122A facilitates waste connection to air vent.



| | |
|------------|--|
| EA122 - AB | Automatic air vent with 1/8" and 3/8" BSP connections and 1/2" adaptor |
| Q122A1001 | Female iron fitting, to facilitate outlet connection to a waste pipe. Size: M8 – 6mm compression |

DU144 Automatic Bypass Valve

The DU144 Automatic Bypass Valve controls the flow of water through a bypass circuit which is installed between flow and return pipework, typically at or near the boiler.



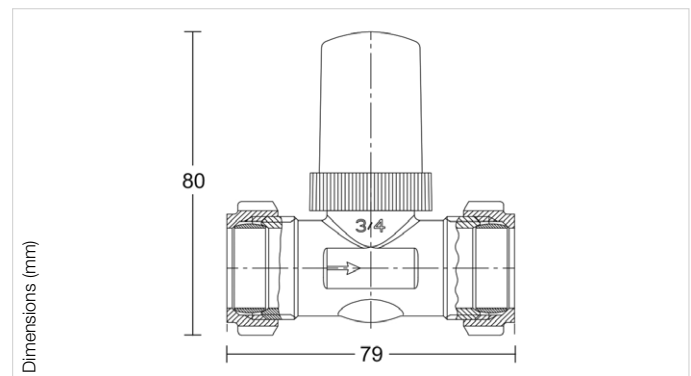
Building regulations advice states that if a bypass is installed, an automatic bypass valve must be fitted.

The DU144 saves energy by only allowing flow through the bypass when needed, i.e. when flow through the system is reduced when zone valves or radiator thermostats are closing.

- Unique and simple adjustment mechanism
- Wide differential pressure range from 0.1 to 0.6 bar
- 22mm compression fittings for ease of installation
- Reduces system noise and maintains an even system pressure
- Ensures constant flow through boiler
- Lockable set pressure prevents inadvertent adjustment
- Factory set at 0.2 bar.

| | |
|------------|--|
| DU144A1001 | Automatic bypass valve with set pressure scale and protective cap, with 22mm compression connections |
|------------|--|

The DU144 Automatic Bypass Valve can serve two functions:
 a) As a boiler bypass as required by boiler manufacturers
 b) As a system bypass to accommodate pump overrun and to alleviate system noise that can be caused by increased pressure when thermostatic radiator valves or zone valves close down



DU145 Angled Automatic Bypass Valve

The DU145 Automatic Bypass Valve controls flow of water through a bypass circuit which is installed between flow and return pipework. Building regulation advice states that if a bypass is installed, an Automatic Bypass Valve must be fitted. The DU145 saves energy by only allowing flow through the bypass when needed, i.e. when flow through the system is reduced when zone valves or radiator thermostats are closing. The use of an Automatic Balancing Valve is recommended by the UK government as Best Practice in the CHES (Central Heating System Specifications) guide to central heating systems.

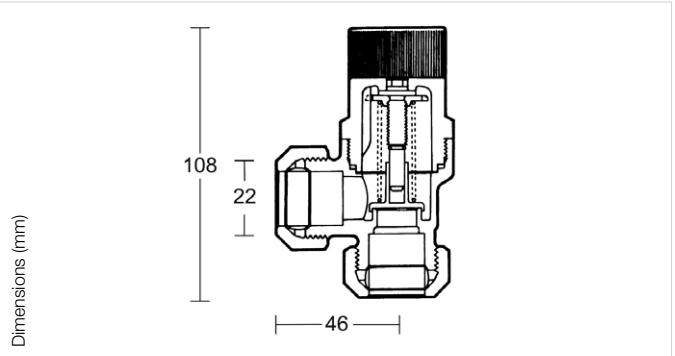


- Unique and simple adjustment mechanism
- High capacity flow – up to 50 litres per minute
- Wide differential pressure range from 0.1 to 0.6 bar
- 22mm compression fittings for ease of installation
- Reduces system noise and maintains an even system pressure
- Ensures constant flow through boiler
- Lockable set pressure prevents inadvertent adjustment.

DU145 - 3/4B

Automatic bypass valve with set pressure indicator, lockable adjustment knob and 22mm compression connections

DU145 Automatic bypass valve can serve two functions:
 a) As a boiler bypass as required by boiler manufacturers
 b) As a system bypass to accommodate pump overrun and to alleviate system noise that can be caused by increased pressure when thermostatic radiator valves or zone valves close down



Locking: Both DU144 & DU145 Valves: Once pressure has been set according to the scale below, the valve locks in position by tightening the screw on the cap.

| | | | | | | |
|-------|-----|-----|-----|-----|-----|-----|
| Scale | 1 | 2 | 3 | 4 | 5 | 6 |
| Bar | 0.1 | 0.2 | 0.3 | 0.4 | 0.5 | 0.6 |

VF06 Sealed System Filling Valve

The VF06 is a combination filling valve for sealed heating systems, incorporating a pressure-reducing valve, stop valve, a non-return valve and hose connections. Factory set to 1.5 bar, the VF06 can be adjusted on site to between 0.5 and 3.0 bar.



The VF06 ensures that the system is not inadvertently over pressurised while filling, which can cause damage to heat exchangers, expansion vessels and joints. It also enables quick and trouble-free refilling of the system should pressure loss occur.

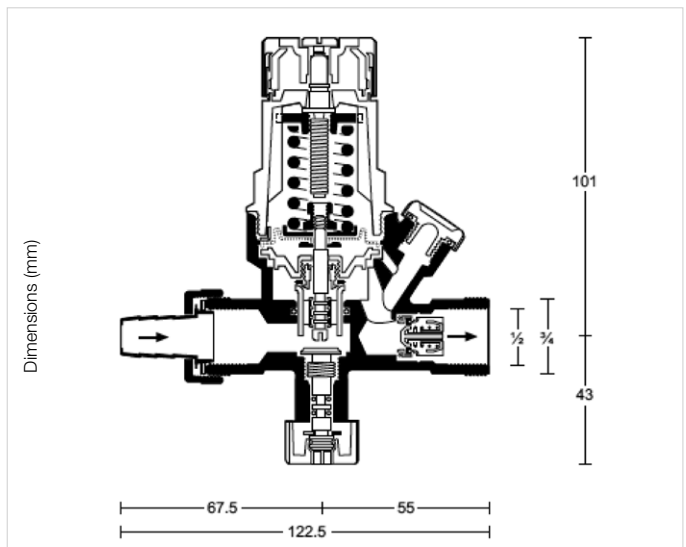
- Automatic filling
- Unique and simple adjustment mechanism
- Integral stop valve
- Integral non-return valve
- Integral strainer
- Pressure gauge tapping.

Options

- Hose union or threaded union connector
- Accessory MF126 - A4 Pressure gauge with 0 to 4 bar range.

Specifications

Maximum Working Pressure: 16 bar
 Maximum Temperature: 70°C
 Outlet Pressure: Adjustable 0.5 to 3.0 bar
 Factory Set: 1.5 bar
 Connection Size: 1/2" BSP female & 3/4" BSP male
 Pressure Gauge Tapping: 1/4" BSP
 Housing Material: Brass



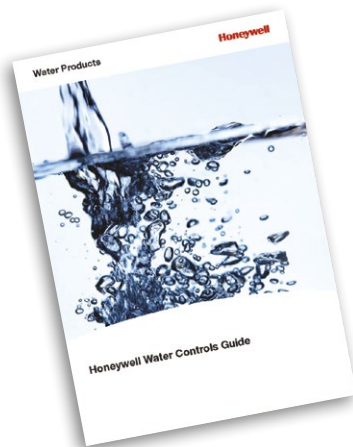
| | |
|--------------|---|
| VF06 - 1/2 A | Filling valve with 1/2" hose connection |
| VF06 - 1/2 B | Filling valve with 1/2" threaded union connection |
| MF126 - A4 | 0 to 4 bar pressure gauge with 1/4" connection |
| D06FA - 1/2 | Spare valve insert complete |



Check out the full range of Honeywell Heating Controls

Download these brochures from www.honeywelluk.com

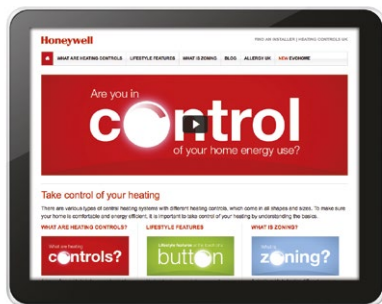
Scan me for more information



Check out the full range of Honeywell Water Controls

Download this brochure from www.honeywellukwater.com

Scan me for more information



Take control with Honeywell Wireless Heating Controls

For more information about modern heating controls visit www.fitathermostat.com

Scan me for more information



Honeywell Installer Training Courses

Expand your knowledge of heating and hot water controls with expert training on our one day installer courses, held across the UK and Ireland.

Visit: honeywelluk.com, email installer.training@honeywell.com or call 01344 656352 for more information.

Honeywell

Honeywell
Honeywell House, Skimped Hill Lane, Bracknell
Berkshire, RG12 1EB
Tel: 01344 656000
Fax: 01344 656240
E-mail: insidesales@honeywell.com
www.honeywelluk.com
© 2014 Honeywell International Inc. All rights reserved.

EN3H-3181-UK01-R0614



Download the Honeywell Wiring Guide and Installer Assistant Apps



ANDROID

