

## iSPORT

**designed  
for use in  
commercial  
washrooms**

### Introduction

The Inta i-sport shower panel has been designed for high use washrooms. Available in either top or back inlet connection with an adjustable spray direction, anti-lime scale shower head and pneumatic time flow control. The i-sport shower panel's sleek and durable design will perform reliably time after time.



- All-in-one compact design
- Top or back inlet connection
- 8 Litres per minute flow regulator
- Directional control shower head
- Anti limescale rub-clean head

### description

### code

inta i-sport shower panel bottom inlet connection with push button timed flow control and shower head

SP9206CP

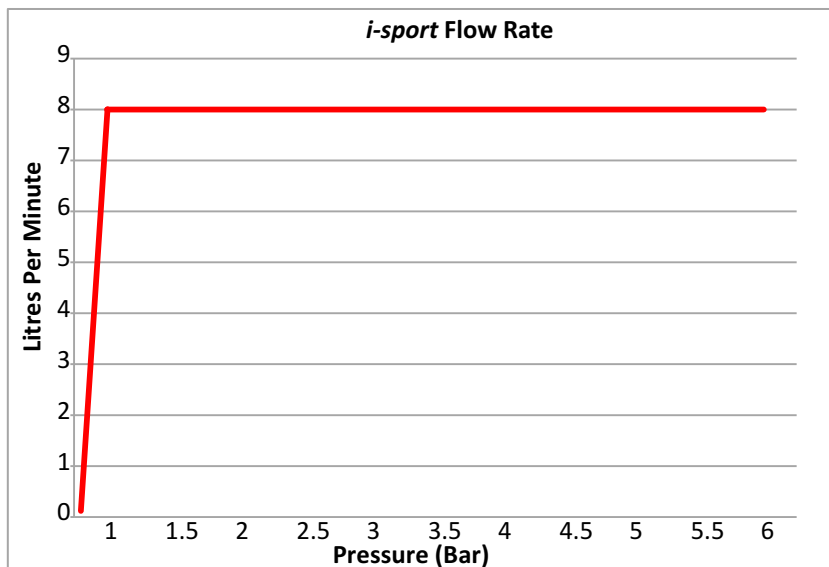
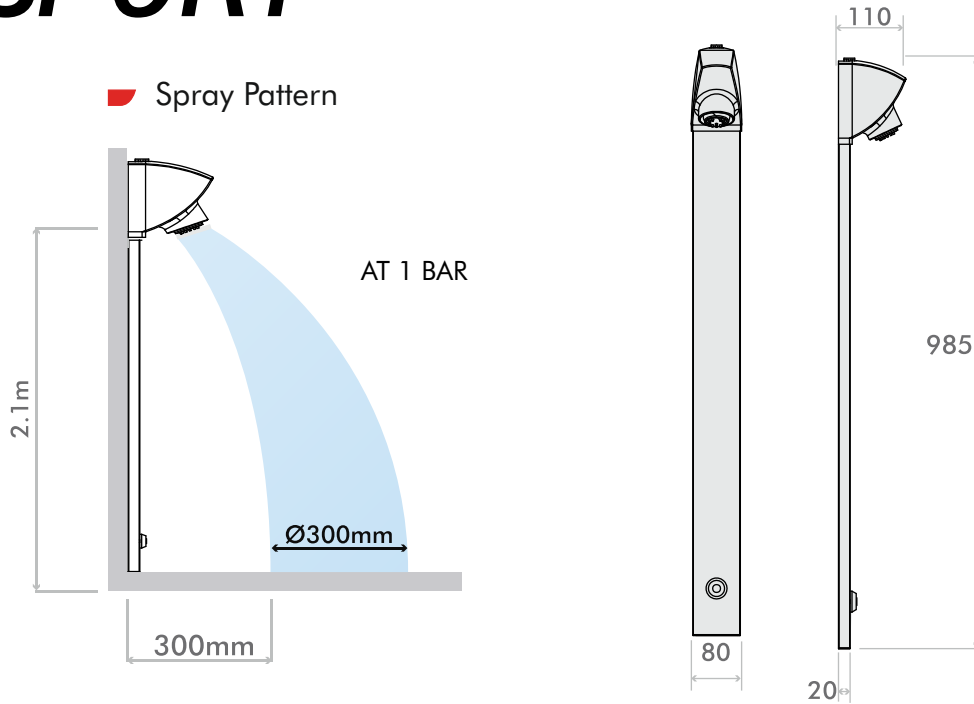
inta i-sport shower panel back inlet connection with push button timed flow control and shower head

SP9207CP

### inta *i-sport* shower panel

with push button timed flow and directional control shower head

## **i**SPORT



**Technical Specification**

Minimum Operating Pressure	1 Bar
Flow Rate	8 ltrs/min flow regulator
Maximum Operating Pressure	6 Bar
Flow Time at 1 bar	30 sec +5/-10
Maximum Inlet Temperature	65°