

## Non Concussive Basin Mounted Push Taps

### Introduction

The Inta range of wall and basin mounted push taps is designed for use with our range of thermostatic mixing valves. With manual operation the tap functions for a period of time and then closes automatically. This operation makes the tap ideal for use in unsupervised areas such as sports changing rooms and washrooms. It is also perfect for use as a water economy device. The simple operation of the push tap enables users with limited mobility to use the facility.

inta taps used as water economy device operate **for a period of time** and then closes automatically

Available in standard and contemporary styles the push tap is safe, reliable and reflects the quality of the intatec range of total washroom solutions.

- Simple operation
- Closes automatically
- Water economy
- Non concussive operation
- 2ltr, 4ltr and 5ltr flow regulator options available
- WEPLS accredited (NC160CP05)
- 3 second time flow version available (NC165CP)



non concussive basin mounted tap (pairs)  
NC160CP

### Product Range

Description	Code
non concussive basin mounted taps (pairs)	NC160CP
non concussive basin mounted taps (single)	NC160CP(S)
non concussive basin mounted taps (pairs) WEPLS - 5ltr per minute	NC160CP05
non concussive basin mounted taps (pairs) 3 second time flow	NC165CP

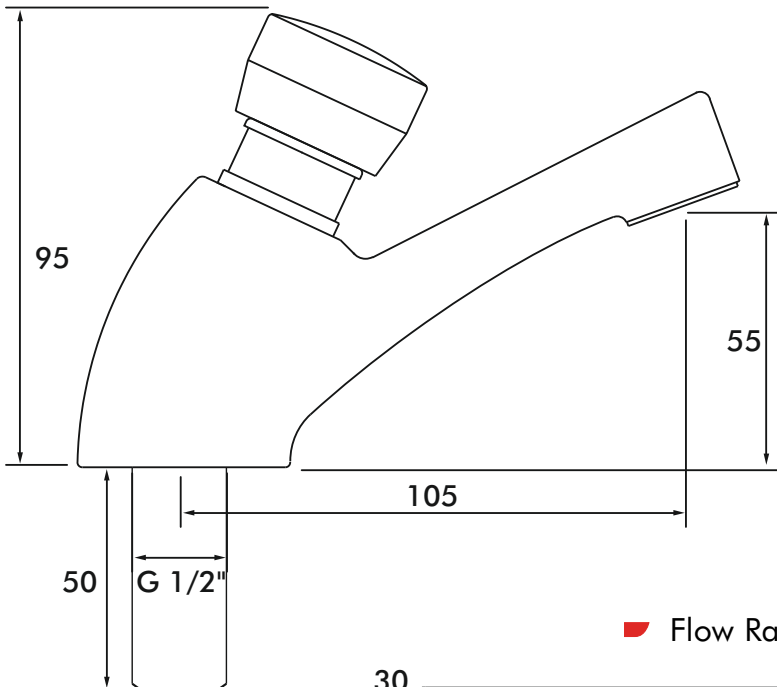


## Non Concussive Basin Mounted Push Taps

### Features

#### Technical Specification

Max Inlet Pressure	10 Bar
Min Inlet Pressure	0.1 Bar
Max Inlet Temperature	65°C
Timed flow (standard)	15 seconds at 1 bar



#### Flow Rates (Litres per minute)

