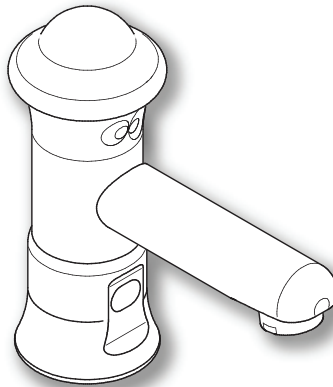


inta

Kindergarten Infra Red Basin Tap Installation and Maintenance Instructions



inta

Intatec Ltd

Airfield Industrial Estate
Hixon
Staffordshire
ST18 0PF

In this procedure document we have endeavoured to make the information as accurate as possible.

We cannot accept any responsibility should it be found that in any respect the information is inaccurate or incomplete or becomes so as a result of further developments or otherwise.

Tel: **01889 272 180**

Fax: **01889 272 181**

email: **sales@intatec.co.uk**

web: **www.intatec.co.uk**

Technical Data

Power supply:	Battery box requires a 6V battery - supplied
Recommended water pressure:	1.0 to 6.0 bar (14.5 to 87 psi) With water pressure in excess of 6 bar use with a pressure reducing valve.
Security time:	60 seconds
Delay out time:	2 seconds
Hot water temperature:	65° C maximum

Check Contents

Before commencing remove all components from packaging and ensure all parts are present, before discarding any packaging. If any parts are missing, do not attempt to install your Inta electronic tap until the missing parts have been obtained.

Installation

The tap should only be used on cold or mixed water applications in conjunction with a TMV3 thermostatic mixing valve such as the Intamix 40015CP.

Your basin mixer must be installed in accordance with the Water Byelaws.

In order to prevent scalding, the hot water supply should be connected to the tap via a TMV3 thermostatic mixing valve.

It is recommended that service valves are installed to the inlets in order to isolate the tap should servicing be required in the future.

All installations should be thoroughly flushed and cleaned to remove any debris that may affect the performance of the mixer.

NOTE: Do not install the tap facing a mirror or any other electronic system operated by an infra red sensor.

To prevent reflection problems, it is recommended to keep a minimum distance of 1.5m between the tap and other objects.

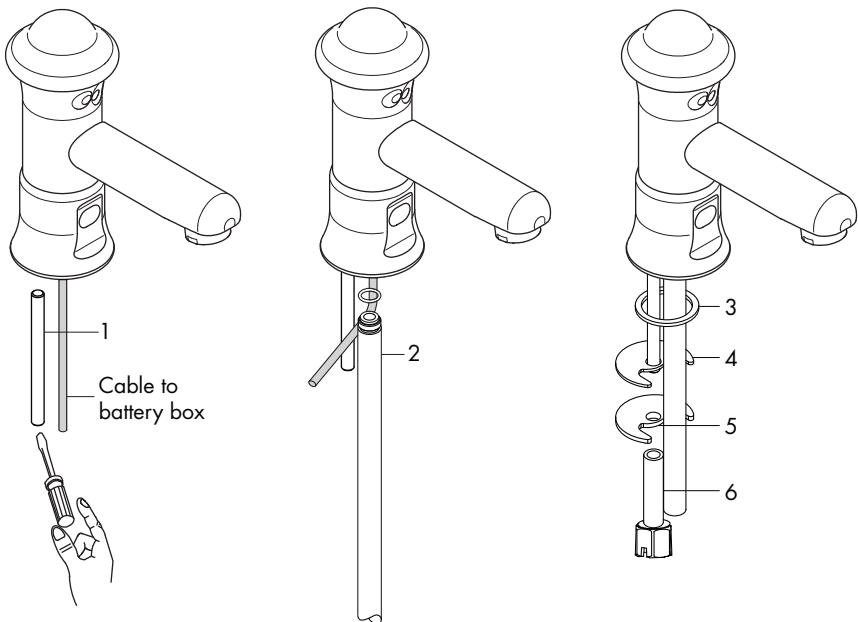
Installation

Please read these instructions fully before commencing installation.

This basin tap is designed for installing on one hole basins.

Screw the retaining screw (1) into the threaded hole in the base of the body taking care not to over tighten.

Connect the inlet pipe (2) to the tap using the sealing washer and tighten to make a water tight joint.



Ensure the sealing washer is seated correctly in the base (3) prior to fitting the tap to the basin or water proof work surface.

Once in place using the gasket (4) and retaining plate (5) secure in position, taking care not to over tighten the retaining nut (6).

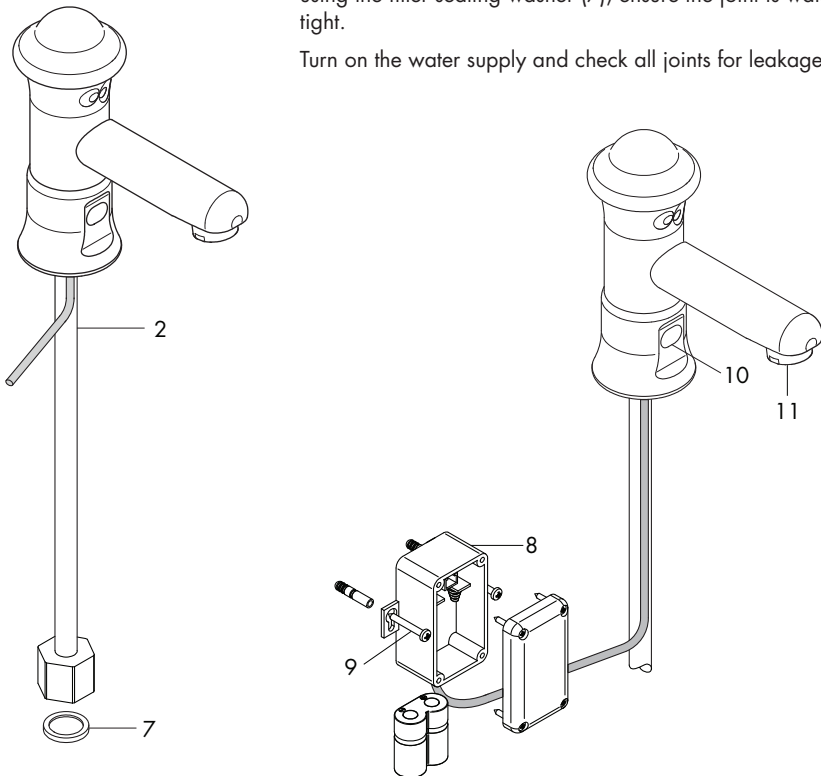
Installation

A service ball valve must be installed in the supply pipe, if being used on cold water, to enable the tap to be isolated for servicing should it be required.

If being used on mixed hot water the TMV3 should have integral or separate isolation valves which could be used to isolate the tap for servicing should it be required.

Connect the inlet pipe to the cold or mixed water supply using the filter sealing washer (7), ensure the joint is water tight.

Turn on the water supply and check all joints for leakage.



Battery Box

Position the battery box beneath the basin in an accessible position to allow the batteries to be replaced easily.

The battery box must be installed within the reach of the connection cable from the tap, when installed the cable connections should be at the bottom of the box, as shown.

Using the two location holes on the battery box as a template drill two holes in the wall and using the plastic wall plugs and screws (9) provided secure to the wall.

Connect the cable to the battery box as shown and fit the batteries.

Wait a few seconds before activating the tap.

Using the Electronic Tap

The tap operates by infra red when hands are within its proximity range.

When hands are under the spout (11), the infra red sensor (10) turns on the tap and water begins to flow until they are removed. Water will continue to flow for an additional two seconds.

If hands remain under the spout after 60 seconds the tap will automatically shut off.

The tap also has an automatic flush which activates every 24 hours from the last operation.

Battery Replacement

When the battery is ready for changing the red indicator light will flash at a constant rate. The battery must be changed within two weeks.

To replace the battery

1. Carefully open the battery box.
2. Remove the old battery
3. Replace with a new 6V battery, a CRP-2 lithium battery is recommended.
4. Close the battery box.

Maintenance

Filter cleaning

The tap is provided with a stainless steel filter preventing foreign particles from entering the tap.

If the water flow has decreased, this may be due to the filter becoming blocked.

The filter can be cleaned as follows;

1. Turn off the water supply by closing the service ball valve.
2. Disconnect the flexible hose from the service valve and remove the filter sealing washer.

Maintenance

Filter cleaning

3. Wash thoroughly using running water.
4. Reassemble the parts and turn on the water supply at the service valve.
5. Check to ensure none of the joints are leaking.

Aftercare

The diffuser (11) should be periodically removed, using a suitably sized spanner and cleaned to remove any debris or deposits which may affect the performance of the tap.

Inta electronic taps have a high quality finish and should be treated with care.

An occasional wipe with a mild detergent on a soft damp cloth followed by a thorough rinse and wipe dry with a soft clean cloth is all that is required.

Do not use an abrasive or chemical household cleaner as this may cause damage to the surfaces.

When cleaning bathroom tiles the tap should be protected from any splattering of harsh cleaners.

Warranty

Limited Warranty

This product is covered by a limited warranty for one year from the date of purchase.

During this period Intatec Ltd undertakes, at its option, to repair or replace any faults caused by defective material or manufacturing faults that may arise (see Intatec Warranty).

This guarantee does not cover faults or damage caused by incorrect installation and/or maintenance, wear and tear, battery or water composition (eg hard water), this includes but is not limited to the following:

- Incorrect installation, inversion of supply pipes.
- Pressure or temperatures exceeding the recommended limits.
- Improper use, tampering, bad or lapsed maintenance.
- Foreign bodies, dirt or scale introduced by the water supply.

Fault Correction

Problem	Cause	Solution	
No flow of water from the tap	The isolation valves are closed	Open the isolation valves	
	Exhausted battery - the LED blinks	Replace the battery	
	Electrical problem		Check the voltage of the battery
			Disconnect and reconnect the battery
			Check the connections and the cables integrity for signs of damage
			Damaged sensor; ask for assistance
		Dirty sensor	Clean the sensor window
		Dirty filters	Clean the filters
	Blocked solenoid valve	Ask for assistance	
The water flows for 1 minute without any object in front of the sensor	Dirty sensor	Clean the sensor window	
	Light reflections on the sensor	Remove the reflection sources	
	Electronic problem	Disconnect and reconnect the battery	
The water flows for more than 1 minute	Blocked solenoid valve or damaged sensor	Ask for assistance	

If problems continue and for further technical advice please contact our Technical Department.

inta

Notes

inta

Intatec Ltd

Airfield Industrial Estate
Hixon
Staffordshire
ST18 0PF

Tel: **01889 272 180**

Fax: **01889 272 181**

email: **sales@intatec.co.uk**

web: **www.intatec.co.uk**

E & O.E

© Intatec Ltd 2012

27-07-12