

Perfect Time **electronic tap**

inta taps used as water economy device operate **for a period of time** and then close automatically

Introduction

Perfect Time is part of Inta's range of electronic time controlled faucets operated by "Piezo Technology". The self closing fitting avoids the risk of taps being left on and together with that allows the user to open and close the faucet according to their needs.

With an 8 second factory preset, installation or maintenance staff can easily change this time manually according to the needs. Running time adjustment is not accessible to the end users.



Perfect Time - Deck Mounted

- Time controlled basin electronic tap activated by piezo switch
- Battery powered
- Filter included
- Solid brass construction
- To be used with cold or premixed water
- Water will start to flow out of the tap when the user touches the upper cap
- Water will stop automatically at the end of the present time or after the user touches the upper cap again
- Running time is easily adjustable
- Deck and wall mounted options available



Perfect Time - Wall Mounted

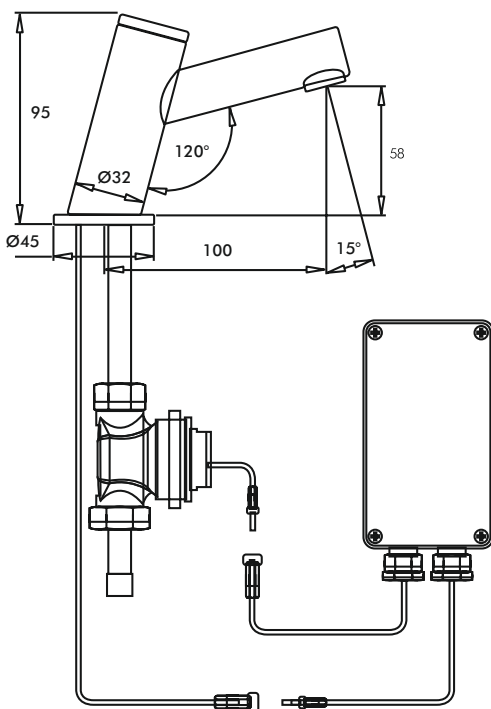
Product Range

Description	Finish	Code No
Perfect Time Deck Mounted Electronic Faucet	Chrome	IR162CP
Perfect Time Wall Mounted Electronic Faucet	Chrome	IR253CP

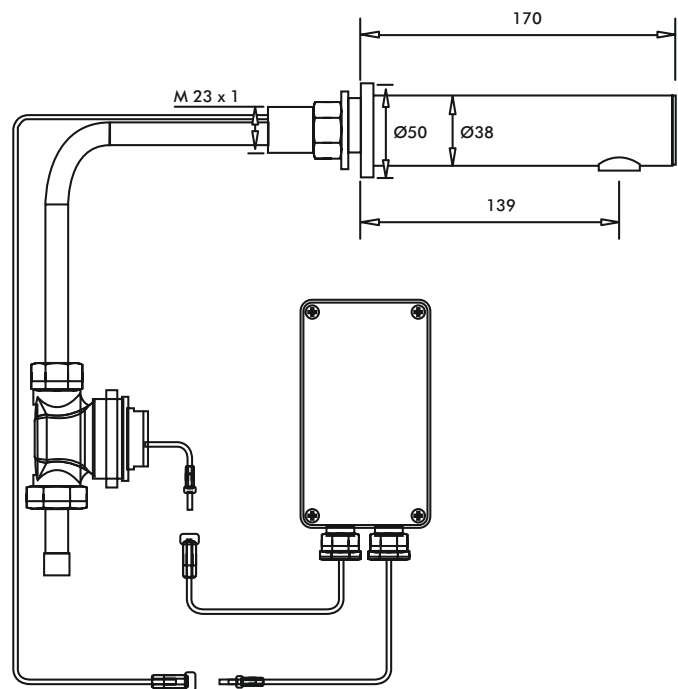
Features

■ Technical Specification

Max Operating pressure	0.5 - 8.0 bar
Max Inlet Temperature	70°C
Power Source	9V Battery
Inlet Connections	G1/2" Male
System Installation	Basin Mounted



■ Perfect Time - Deck Mounted
IR162CP



■ Perfect Time - Wall Mounted
IR253CP

■ inspiring confidence

inta

intatec limited

Airfield Industrial Estate, Hixon

Staffordshire, ST18 0PF

T: 01889 272180

F: 01889 272181

E: sales@intatec.co.uk