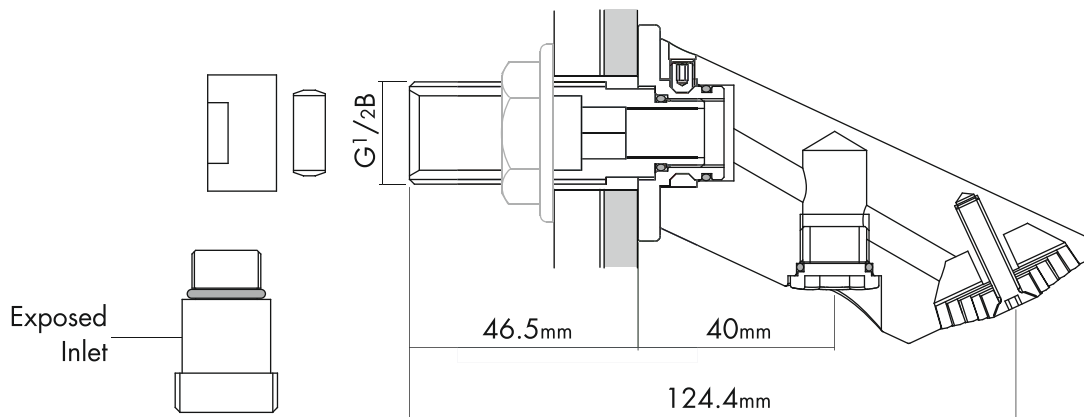


VR994CP Vandal Resistant Shower Head

Concealed Installation



Operating Conditions

Max. Operating Pressure	10 bar
Min. Operating Pressure	0.2 bar
Max. Inlet Temperature	65°C

Location

For ease of servicing always mount on a tiled wall or similar water proof surface, never tile up to the shower head.

Choose the position of the shower to suit the tallest user.

The shower must not be positioned where it will be subjected to freezing condition

Concealed Installation Instructions

The shower head is always dispatched configured for concealed pipework.

The installation shown is typical for a tiled stud wall.

Drill a hole through the wall 24mm in diameter.

The shower head can be mounted to the wall using a back nut (not provided) or by screws as the exposed installation.

Using the back nut secure the shower arm to the wall, do not over tighten

Connect the copper supply pipe to the pipe connector using using the olive and compression nut, tighten to make a water tight joint.

Straight or angled swivel connectors with a fibre washer (tap connector) can also be used

Turn on the water supply and check joints for leakage, tighten or re-make the joint until water tight.

Aftercare

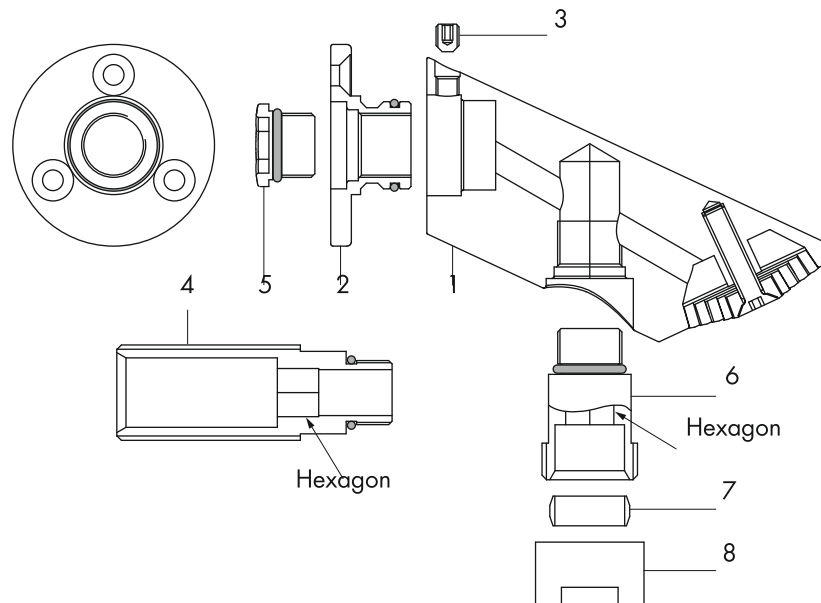
With all highly polished items, care should be taken not to damage any of the external surfaces.

To maintain the appearance of the shower head periodically it should be cleaned with a soft damp cloth and a mild detergent.

The use of abrasive or solvent cleaners will damage the finish of the product and should not be used.

VR994CP Vandal Resistant Shower Head

Exposed Installation



Exposed Installation Instructions

For exposed pipework the configuration of the shower needs to be changed.

Care needs to be taken not to damage the highly polished surfaces during the modification.

Separate the body (1) from the backing plate (2) by unscrewing the set screw (3) and pulling apart.

Unscrew the pipe connector (4), using the hexagonal section, from the back plate (2) using a 10mm Allen key.

Lubricating the 'O' rings with a mild detergent or silicone grease will ease assembly.

Unscrew the plug (5) from the body using a 10mm Allen key and screw into the backing plate and tighten, taking care not to damage the 'O' ring and tighten to make a water tight joint.

Screw the exposed inlet pipe connector (6) into the body taking care not to damage the 'O' ring and tighten to make a water tight joint.

Using the backing plate (2) as a template mark the position for the three fixing holes.

Drill and plug to suit the fixing screws supplied which are suitable for most brick walls.

If the wall is plaster board or soft building block use special wall plugs obtainable from most DIY stores.

Position the backplate on the wall and secure in position using the screws provided.

Push the body onto the backplate taking care not to damage the 'O' ring seal and re-tighten the socket set screw to hold in position, do not over tighten.

Connect the supply pipe using the olive (7) and compression nut (8) as shown and check the joint for leakage.