

Anti-ligature vandal resistant shower head

vandal resistant heads are designed for use with inta thermostatic mixing valves

Introduction

The Intatec range of vandal resistant shower heads is designed for use with our range of thermostatic mixing valves. The shower head is intended to be recessed into a wall, and the unique design does not allow for any ligature points making it suitable for use in prisons, schools, hospitals, sports and leisure facilities and other areas where there is a risk of misuse.

- Anti-ligature design
- Hygienic
- High polished chrome
- Brass body
- Hidden wall fixing for security
- Unique head design
- WRAS approved

Product Range

Description	Finish	Code No.
Anti-ligature head	Chrome	VR995CP

Features

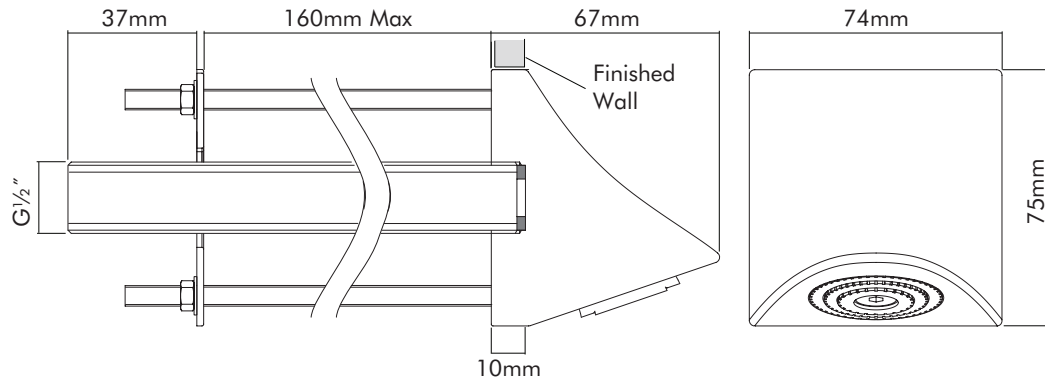
■ Technical Specification

Max operating pressure	5 Bar
Min operating pressure	0.5 Bar
Max Inlet Temperature	65°C
Concealed connections	G ½" M

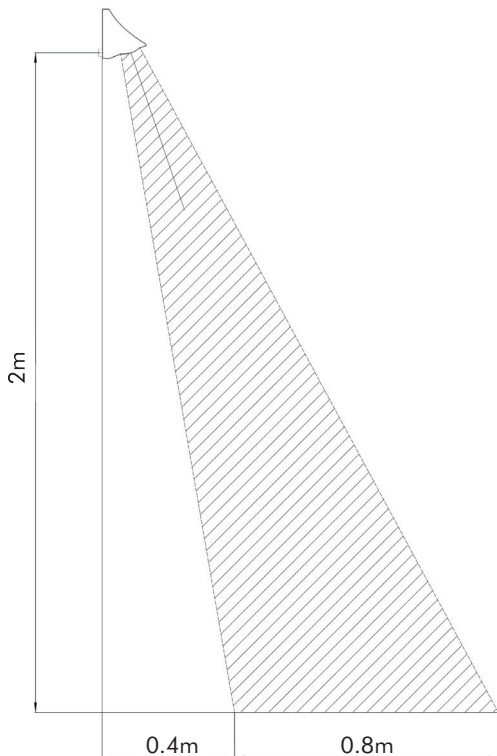


■ VR995CP

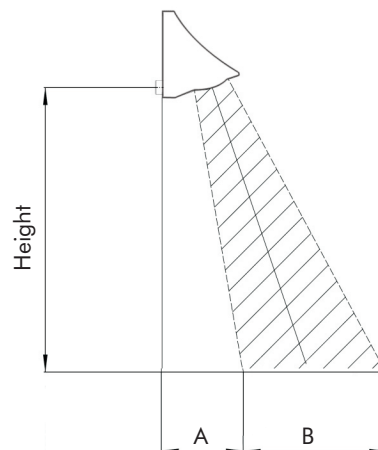
Anti-ligature vandal resistant shower head



Shower typical spray pattern at 2.0 bar



Basin typical spray pattern



Basin Spray Projection at 0.5 Bar and 150mm High

Distance A = 50mm
Distance B = 80mm

Basin Spray Projection at 2.0 Bar and 150mm High

Distance A = 50mm
Distance B = 100mm

Basin Spray Projection at 0.5 Bar and 250mm High

Distance A = 60
Distance B = 120

Basin Spray Projection at 2.0 Bar and 250mm High

Distance A = 60
Distance B = 130