

Anti-Lime Scale Vandal Resistant Shower Head

Introduction

The Intatec range of vandal resistant shower heads has been designed for use with our range of thermostatic mixing valves and time flow shower controls. The shower head has a anti lime scale rotatable spray plate allowing directional control of the spray direction and allowing easy de-scaling without the need to remove the spray plate.

vandal resistant head with directional control spray outlet



vandal resistant head with
back connection, anti-limescale
rotatable spray plate
VR997CP

- Removable spray plate
- High polished chrome
- Rotatable spray plate with direction control
- Anti-lime scale
- Operating pressure range of 0.2 to 10 bar
- Small spray pattern footprint for small cubicles

Product Range

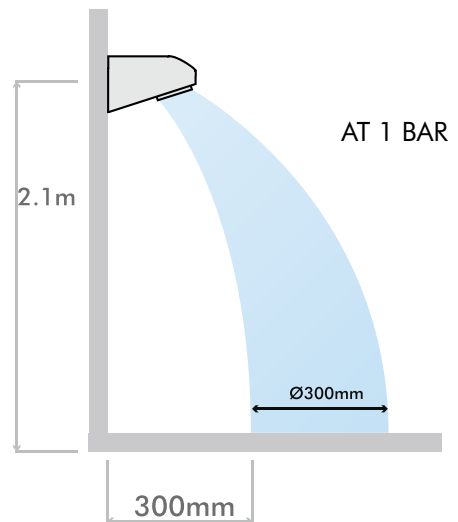
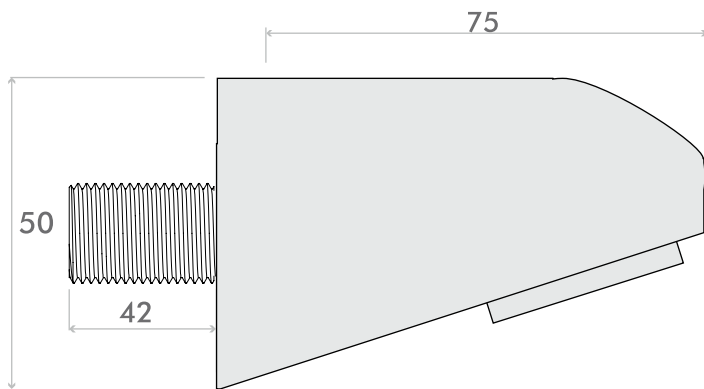
Description	Code
Vandal resistant head with back connection, anti-lime scale rotatable spray plate	VR997CP

Anti-Lime Scale Vandal Resistant Shower Head

Technical Specification

Min Inlet Pressure dynamic	0.2 Bar
Max Inlet Pressure	10 Bar (Static)
Max Inlet Temperature	65°C
Inlet Connections	G 1/2" M

Spray Pattern



■ INLET CONNECTIONS: G 1/2" M

