
VR997CP Vandal Resistant Shower Head For Concealed Pipework

For use with inta's concealed range of timed flow shower controls



Operating Conditions

Max. Operating Pressure 10 bar
Min. Operating Pressure 0.2 bar
Max. Inlet Temperature 65°C

Location

For ease of servicing always mount on a tiled wall or similar water proof surface, never tile up to the shower head.

Choose the position of the shower to suit the tallest user.

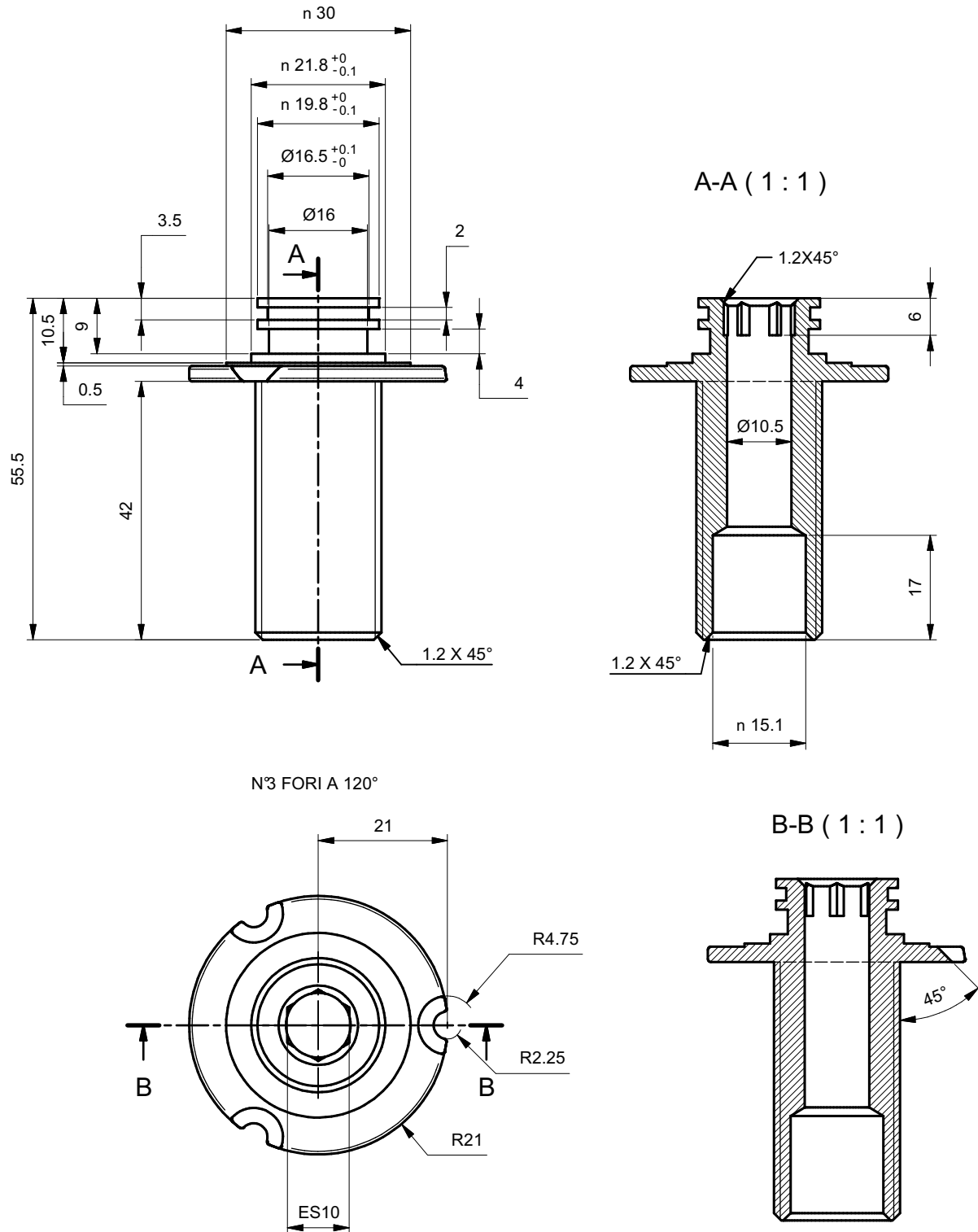
The shower must not be positioned where it will be subjected to freezing conditions

Installation Instructions

- The VR997CP is configured for concealed pipework only.
- Drill a hole through the wall 32mm in diameter
- Take the brass threaded back connection piece and insert into the 32mm drilled hole.
- On the back plate of the connection piece there are three machined grooves designed to receive the wall fixing screws.
- With the brass connection piece still in the 32mm hole, mark the machined grooves with a pencil or something suitable for the surface.
- Remove the brass connection piece and then drill and plug the holes you have just marked using either the wall plugs and screws provided or something suitable for the wall type.
- Connect the copper supply pipe to the pipe connector using the olive and tighten the compression nut to make a water tight joint.
- Position the pipe and backplate on the wall and secure in position using the screws provided.
- Push the body onto the backplate taking care not to damage the 'O' ring seal and re-tighten the 3 grub screws located around the outside these are to hold the head in position, do not over tighten.

VR997CP Vandal Resistant Shower Head For Concealed Pipework

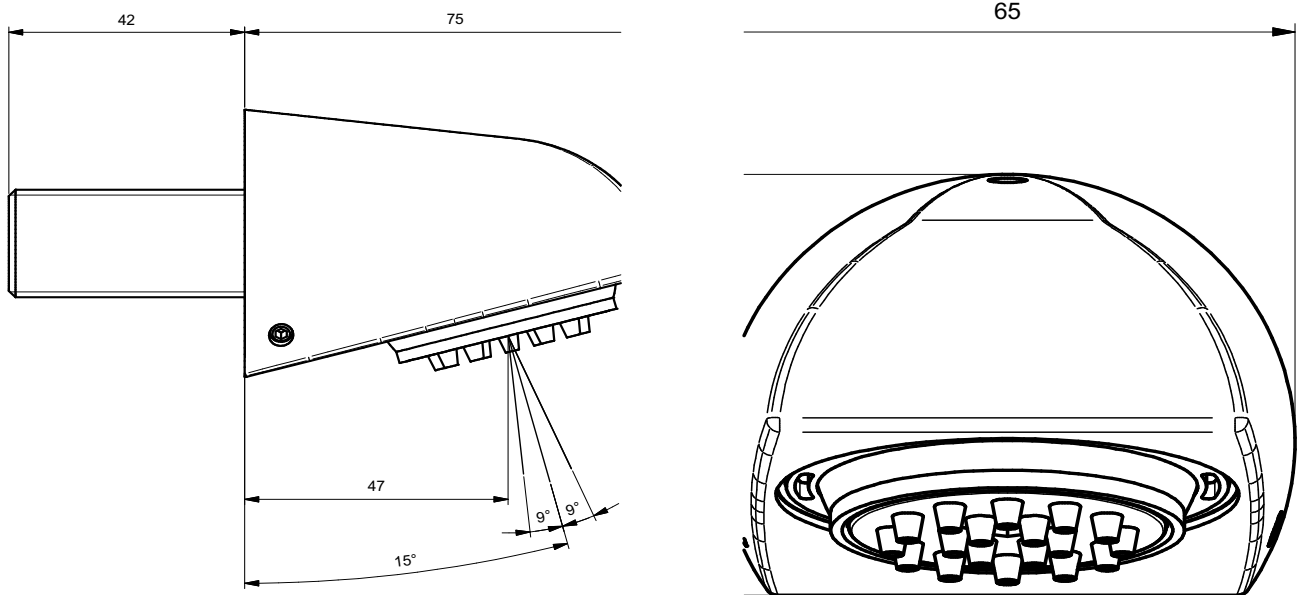
For use with inta's concealed range of timed flow shower controls



Intatec Limited, Airfield Industrial Estate, Hixon, Staffs, ST18 0PF
Tel: 01889 272180 Fax: 01889 272181 email: sales@intatec.co.uk

VR997CP Vandal Resistant Shower Head For Concealed Pipework

For use with inta's concealed range of timed flow shower controls



- MIN OPERATING PRESSURE: 0.2 BAR DYNAMIC
- MAX OPERATING PRESSURE: 10 BAR STATIC
- MAX INLET TEMPERATURE: 65°C
- INLET CONNECTIONS: G 1/2" M

