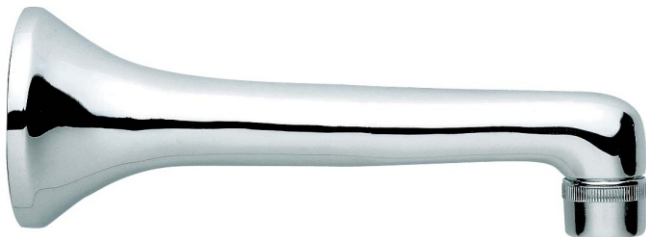


Inta Spouts

stylish robust design
ideal for commercial use

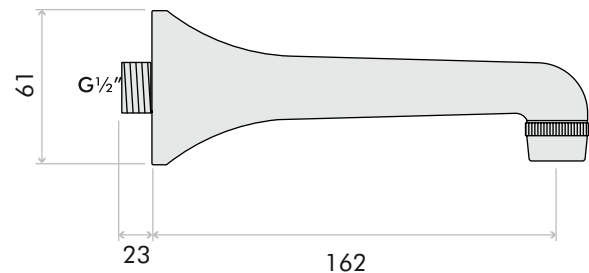
- Water saving
- Durable
- Hygienic
- Modern styling
- Robust construction
- Easy to install



- MIN OPERATING PRESSURE: 0.5 BAR DYNAMIC
- MAX OPERATING PRESSURE: 5 BAR STATIC
- MAX INLET TEMPERATURE: 65°C

Product Range

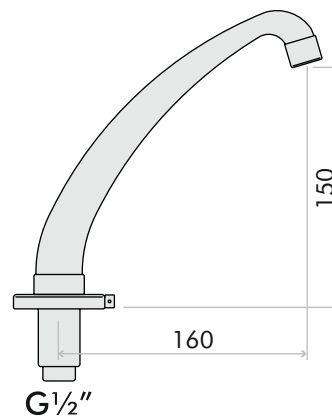
Description	Code
Inta wall mounted fixed basin spout	5161CP



- MIN OPERATING PRESSURE: 0.5 BAR DYNAMIC
- MAX OPERATING PRESSURE: 5 BAR STATIC
- MAX INLET TEMPERATURE: 65°C

Product Range

Description	Code
Inta basin mounted swivel tube spout	5162CP



Inta Spouts

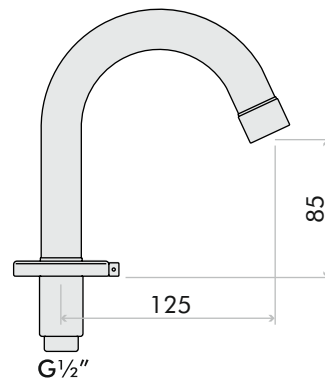
stylish robust design
ideal for commercial use



- MIN OPERATING PRESSURE: 0.5 BAR DYNAMIC
- MAX OPERATING PRESSURE: 5 BAR STATIC
- MAX INLET TEMPERATURE: 65°C

Product Range

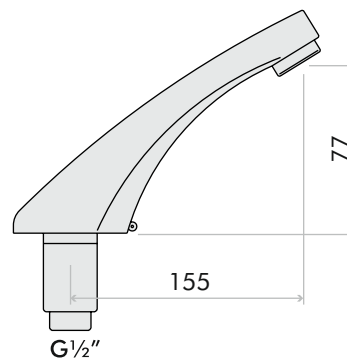
Description	Code
Inta basin mounted fixed spout	5160CP



- MIN OPERATING PRESSURE: 0.5 BAR DYNAMIC
- MAX OPERATING PRESSURE: 5 BAR STATIC
- MAX INLET TEMPERATURE: 65°C

Product Range

Description	Code
Inta basin mounted fixed basin spout	5163CP



Inta Spouts

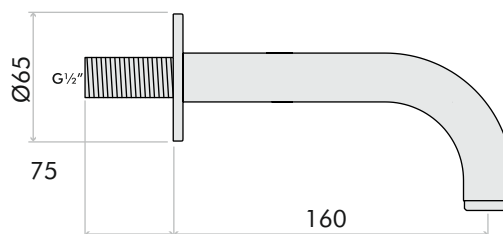
stylish robust design
ideal for commercial use



- MIN OPERATING PRESSURE: 0.5 BAR DYNAMIC
- MAX OPERATING PRESSURE: 5 BAR STATIC
- MAX INLET TEMPERATURE: 65°C

Product Range

Description	Code
Inta wall mounted fixed minimalistic spout	5165CP



- MIN OPERATING PRESSURE: 0.5 BAR DYNAMIC
- MAX OPERATING PRESSURE: 5 BAR STATIC
- MAX INLET TEMPERATURE: 65°C

Product Range

Description	Code
Inta wall mounted spout	5287CP

