

Foot operated floor mounted pedal mixing tap

Introduction

The Inta range of foot operated valves allows the user to deliver hot, cold or mixed temperature water in a controlled and hygienic way. The valves are simple to install, easy to use, vandal resistant and durable making them ideal for wide range of applications

delivers water in a
controlled and
hygienic way

- Individual pedal control of hot and cold water
- Hygienic
- Robust construction
- Durable
- Easy to install

Product Range

| Description | Code |
|--|---------|
| Foot operated floor mounted mixing pedal tap | LO801CP |



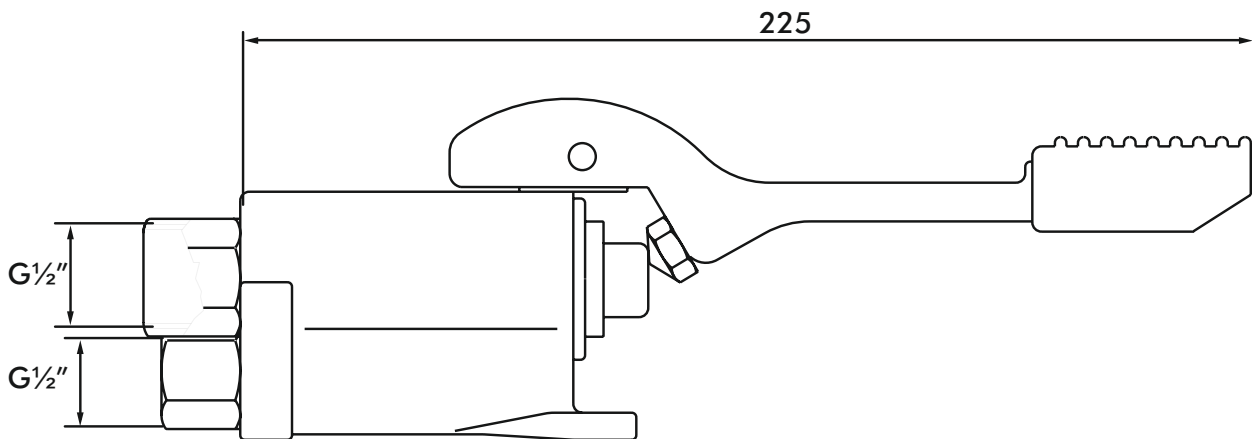
LO801CP

Foot operated floor mounted pedal mixing tap

Features

■ Technical Specification

| | |
|-------------------------|------------|
| Max inlet pressure | 8 bar |
| Min inlet pressure | 0.5 bar |
| Inlet temperature range | 5-70°C |
| Inlet connections | G1/2" (x2) |
| Outlet connections | G1/2" |



■ inspiring confidence

inta