

PE4Q040032 Antimicrobial Copper Grab Rail

Introduction

This installation guide has been produced for the antimicrobial copper grab rails. These instructions cover the installation and maintenance. Please read the enclosed instructions before commencing the installation of this product, please note;

We recommend that the installation of any Inta product is carried out by an approved installer.

Product Range

PE4Q040032SP - brushed finish

PE4Q040032BP - polished finish

135° angled grab rails with resin fixing plate and concealed fixing.

Preparation

Before commencing please ensure the wall and surface onto which the grab rail is to be fixed is structurally suitable and capable of taking the required loading.

When positioning the grab rail please ensure the optimum position for the convenience and safety of the user which should be approximately 80 cm from the floor.

Screws and wall plugs are not supplied, the length of screws and type of wall plug or fixing must be selected to suit the type of wall whether studded, soft building block or brick.

The maximum diameter of hole in the resin fixing plate is 5mm.

Ensure there are no supply pipes or cables where you intend to drill.

Assembly

The grab rail is supplied as separate components;

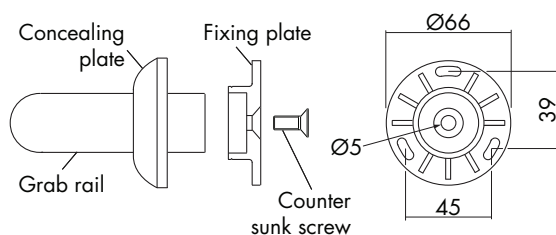
- Grab rail - quantity 1
- Resin fixing plate - quantity 2
- Counter sunk head socket screw - quantity 2
- Concealing plate - quantity 2

Locate the concealing plate onto the rail facing the direction in which it will be used.

Locate the rail in the recess at the front of the fixing plate.

Secure the two items together using a counter sunk head screw, which is inserted from the back of the fixing plate, using a suitably sized Allen key, tighten to make a secure joint.

Repeat for the other end.



Installation

Before drilling into the wall, physically hold the grab rail against the wall and mark the position for the holes to be drilled.

The 3 fixing points in each resin fixing plate should be used to fix and support the grab rail.

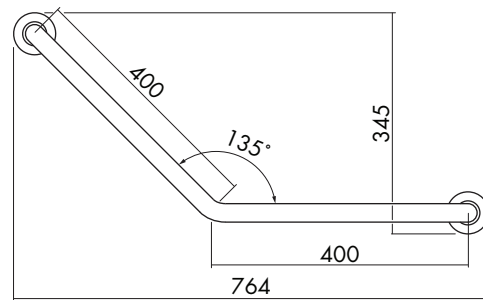
Make sure that the fixing screws are tightened securely.

When fixed to the wall, push the concealing plates towards the wall until they click into position.

The grab rails are not designed to support the total weight of the user, they are intended for assistance ONLY.

DO NOT use the grab rail as a step, to sit on or hang heavy articles from it.

Dimensions



Aftercare

An occasional wipe with a mild washing-up liquid on a soft damp cloth followed by a thorough rinsing is all that is required.

For additional protection against bacteria a disinfection agent may be used, the manufacturer's recommendations must be followed.

Do not use an abrasive or chemical household cleaner as this may **cause damage**.

Please leave these instructions for the user