

inta L mix

technical and data sheet

inta L mix thermostatic mixing valve

delivers safe,
**blended hot
water** to taps,
showers, bidets and
other water outlets



Introduction

The Intatec range of 15 and 22mm thermostatic mixing valves is designed primarily for single outlet use. It delivers safe, blended hot water to taps, showers, bidets and other water outlets, making it ideal for use in hospitals, schools and leisure centres.

Unlike T-pattern valves the hot and the mixed water ports are perpendicular, which reduces the need for pipework modifications and helps to save a significant amount of installation time - especially in retro fit application.

Inta L mix has been specifically designed and manufactured to meet the general requirements of:

National Health Service Model Engineering Specification - Thermostatic Mixing Valves - Heath Premises - D08 and BS 7942: 2000 Thermostatic Mixing Valve for use in care establishments (TMV3)

BS EN 1111 : 1999 Sanitary tapware. Thermostatic Mixing Valves (PN10) General technical specification & BS EN 1287: 1999 Sanitary tapware. Low Pressure Thermostatic Mixing Valves General technical specification (TMV2)

The Inta L mix has been independently tested and approved by the TMV3 scheme as a type 3 valve under the requirements of the NHS MES - D08 and approved by Buildcert as meeting the requirements of the TMV2 scheme

The element that controls the temperature of the mixed water discharging from the valve works proportionally on both hot and cold water supplies in order to maintain the temperature of the mixed water discharged.

- One valve to suit all applications
- One Piece Cartridge Construction for ease of maintenance and replacement
- High flow rates with Low Pressure drops
- 15mm & 22mm versions available
- TMV3 approved – Complies with NHS Estate D08 & BS7942: 2000
- TMV2 approved – Complies with BSEN1111 & BSEN1287: 1999
- Building Regulations Part G compliant
- Robust and Reliable
- Easy installation
- Integral Check Valves and Strainers
- Available with isolation ball valves and test ports
- WRAS Approved
- Integral Check Valves and Strainers
- Highly resistant to scaling
- Anti tamper proof head

Code	Pressure range	Designation
HP-B	High Pressure	Bidet
HP-S	High Pressure	Shower
HP-W	High Pressure	Wash Hand Basin
LP-B	Low Pressure	Bidet
LP-S	Low Pressure	Shower
LP-W	Low Pressure	Wash Hand Basin
HP-T44	High Pressure	Bath (Assisted Bathing)*

*22mm Model Only



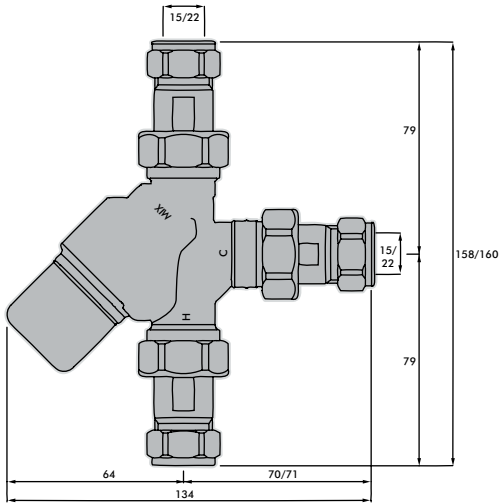
thermostatic mixing valve **inta L mix**

Product Range

Description	Code
Inta L mix 15mm	60010CP
Inta L mix 22mm	60011CP

Technical Data

Temperature Adjustment Range	30°C to 50°C
Temperature Stability	±2°C
Maximum Inlet Temperature	85°C
Maximum Working Pressure	10 Bar : Static
Minimum Working Pressure	0.2 Bar : Dynamic
Inlet Temperature Range	52°C - 65°C : Hot
	0.5°C - 20°C : Cold
D08 Working Pressure Ranges	0.2 - 1.0 : Low Pressure
	1.0 - 5.0 : High Pressure
Maximum Temp. Differential (Mix to Hot) for fail safe	10°C
Maximum Pressure Inlet differential	5:1



Flow Rates

