

TECHNICAL DATA SHEET

BRISTAN

CROSS HEAD

CROSS HEAD 3/4" BASIN TAPS

Product Specification

Product Code:	VAX 3/4 C
Finish:	Chrome
Product Type:	Contemporary
Construction:	Tap bodies are of all brass construction
Valve Type:	1/2" Standard valve
Supply:	Suitable for all plumbing systems, preferably balanced
Inlet Connections:	3/4" BSP
Water Pressure:	Min 0.2 bar, Max. 7.0 bar



Additional Information

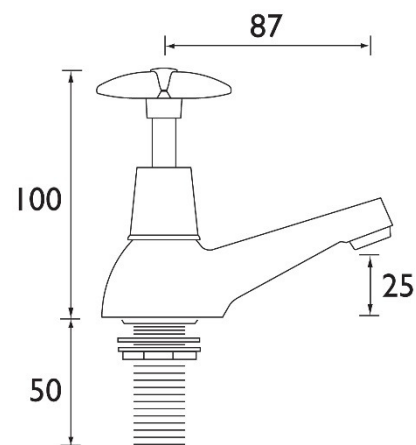
- Supplied with metal heads
- Supplied with metal back nuts
- Chrome plated to BS EN 248

Compliance/Approvals

WRAS: Certificate No. 0910015

Technical Advice: For further information please call 0844 7016273
or email customer@bristan.com

Guarantee: 5 years covering manufacturing faults.



Flow Rates (litres per minute)

System Pressure	0.2bar	0.4bar	1.0bar	2.0bar	3.0bar	5.0bar
Bath Taps	11.2	15.8	24.8	35.5	43.3	55.8

Bristan, Birch Coppice Business Park, Dordon, Tamworth, B78 1SG
Telephone: 0844 701 6274 Facsimile: 0844 701 6275
Web Site: www.bristan.com Email: enquire@bristan.com



D4

The information contained on this page was correct at date of issue. Fitting dimensions are provided as a guide only. Some variation may occur due to manufacturing tolerances. Bristan pursues a policy of continuing improvement in design and performance of its products and so reserves the right to change specifications without prior notice.