



Glow•worm

The energy you need

Instructions for Installation

Climapro₁
Climapro₁ RF



TABLE OF CONTENTS

INTRODUCTION

1	Product documentation	3
2	CE Mark.....	3

INSTALLER

3	Climapro ₁ installation.....	3
	3.1 List of contents.....	3
	3.2 Fixing	3
4	Electrical connections	4
	4.1 Wired room thermostat	5
	4.2 Wireless room thermostat	5
5	Commissioning	5

INSTALLER MENU

6	Accessing the installer menu	6
7	Returning to the user menu.....	6
8	Installer menu	6
	8.1 New functions	6
	8.2 Tree diagram.....	7
	8.3 Summary of menus and functions available.....	8
	8.4 Compatibility of the room thermostat.....	8

MAINTENANCE

9	Trouble-shooting.....	9
	9.1 Fault diagnosis.....	9
	9.2 Resetting the room thermostat	10

TECHNICAL DATA

10	Climapro ₁	11
11	Climapro ₁ RF	11

INTRODUCTION

1 Product documentation

The instructions are an integral part of the Climapro₁ RF and must be handed to the user on completion of the installation in order to comply with the current regulation.

- Carefully read the manual, to enable safe installation, use and servicing. No liability can be accepted in the event of damage for not complying with the guidance in this instruction manual.

2 CE Mark

The CE mark indicates that the units described in this manual are in compliance with the following directives:

- European Directive Num. 2004-108 of the European Parliament and the Council regarding electromagnetic compatibility
- European Directive Num. 2006-95 of the European Parliament and the Council regarding low voltage
- Directive regarding telecommunications equipment (Directive R & TTE 99/5/ EEC of the Council of the European Community)

INSTALLER

3 Climapro₁ installation

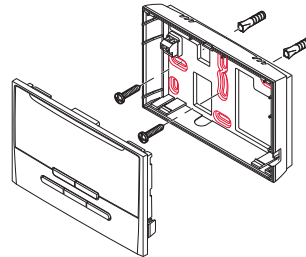
3.1 List of contents

Climapro ₁ programmable room thermostat	(x1)
Wall support for the Climapro ₁ (*)	(x1)
Radio receiver	(x1)
AA LR6 "alkaline batteries" (*)	(x4)

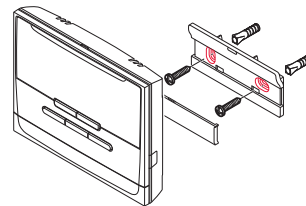
(*) delivered with the wireless version

3.2 Fixing

3.2.1 Wired room thermostat

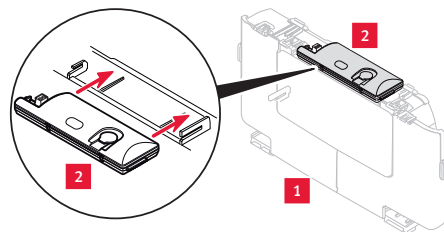


3.2.2 Wireless room thermostat



3.2.3 Radio receiver

radio receiver on control box unit

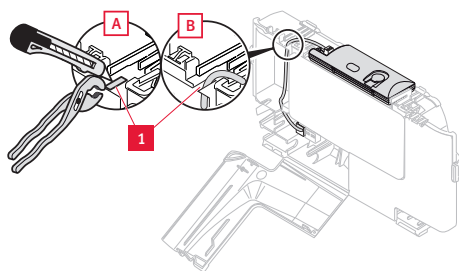


Key
 1 Control box unit
 2 Radio receiver

- Slide the radio receiver into the notches.

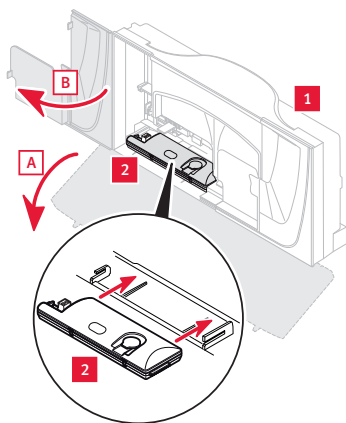


IMPORTANT:
 It is easier to pass the EBUS cable if the pre-cut part is removed.



Key
1 Pre-cut part of the electrical box

radio receiver in the control box unit

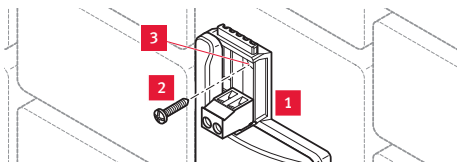


Key
1 Control box unit
2 Radio receiver



IMPORTANT:
The receiver should be installed outside the appliance if the appliance control box does not have a location for the radio receiver.

radio receiver outside appliance



Key
1 Radio receiver
2 Fixing screw
3 Drilling

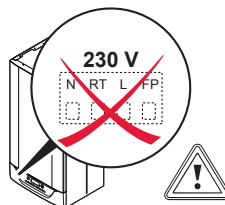
4 Electrical connections



DANGER:
Incorrect installation can cause electric shock or damage to the equipment. The electrical connection must be made only by a qualified engineer.



ATTENTION:
Do not connect the room thermostat to a 230V terminal.



IMPORTANT:
Do not remove the link (RT 24V) from the room thermostat connection on the boiler main pcb.

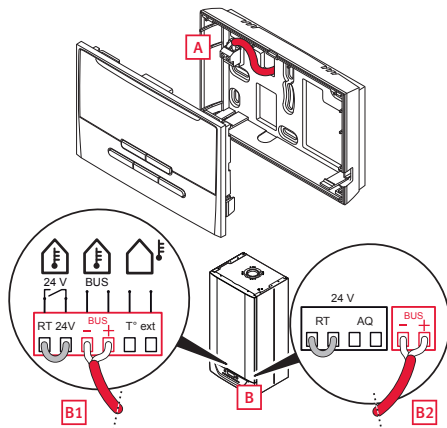
- Use a connecting cable that complies with the technical specifications (refer to the technical data chapter).



IMPORTANT:
The location of the EBUS terminal block varies according to the heating system. It is always identified by having «BUS» written on it.

4.1 Wired room thermostat

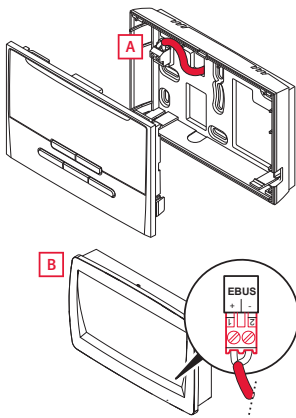
connected to a boiler



Key

- A connection on the room thermostat:
- B connection to the EBUS 24V terminal on the boiler (examples B1 & B2)

connected to Smart Wiring Centre 2

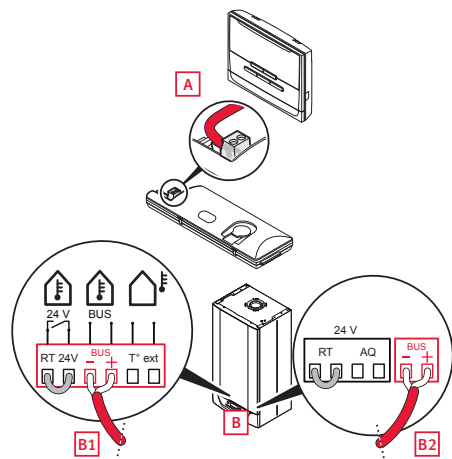


Key

- A connection on the room thermostat:
- B connection to the EBUS 24V terminal on the control box

4.2 Wireless room thermostat

connected to a boiler



Key

- A connection on the radio receiver:
- B connection to the EBUS 24V terminal on the boiler (examples B1 & B2)

connected to Systempro

The radio receiver function is integrated into the Systempro. There is no electrical connection to be made in an installation including a Systempro.


5 Commissioning

- Switch on the appliances that make up the installation (see the installation manuals).
- If using the Climapro₁ RF, remove the insulating tab in the room thermostat battery compartment.
- Follow the instructions given by the installation assistant.
- Make the adjustments and select the necessary options depending on the installation.
- Finalise the installation in the installer menu.
- Check that these main settings are compatible with the installation.
- Check the installation by issuing a heating demand.


INSTALLER MENU

6 Accessing the installer menu

The installation menu is still accessible after commissioning.

- Press the button  for 7 seconds .
- Enter the installer access code (96).

7 Returning to the user menu

- Press the button  for 3 seconds to return to the main user screen.

8 Installer menu

The installer menu customises itself depending on the appliance it is connected to and the connection method.

8.1 New functions

Automatic heating curve (if an outdoor sensor is connected)

The automatic heating curve function continually seeks the most suitable value to ensure your comfort and the efficiency of your heating system. The optimum value is obtained approximately 24 hours after the system is started. It is recommended that you activate this function. If the function is deactivated, the heating curve can be set manually by the installer.

Thermostat function (if an outside sensor is connected)

The heating system alters the water temperature in the heating circuit depending on:

the ambient temperature,

the outside temperature.

If this function is deactivated, the heating system no longer takes into account the ambient temperature. The heating system uses just the outside temperature.

Anticipation

The heating system anticipates the first programmed setting change in the morning. This function allows it to reach the programmed temperature rapidly (the function is available and independent for each zone).


Performance index

The performance indicator is calculated from the efficiency of all appliances over the last 24 hours. The cursor moves along a scale graduated.

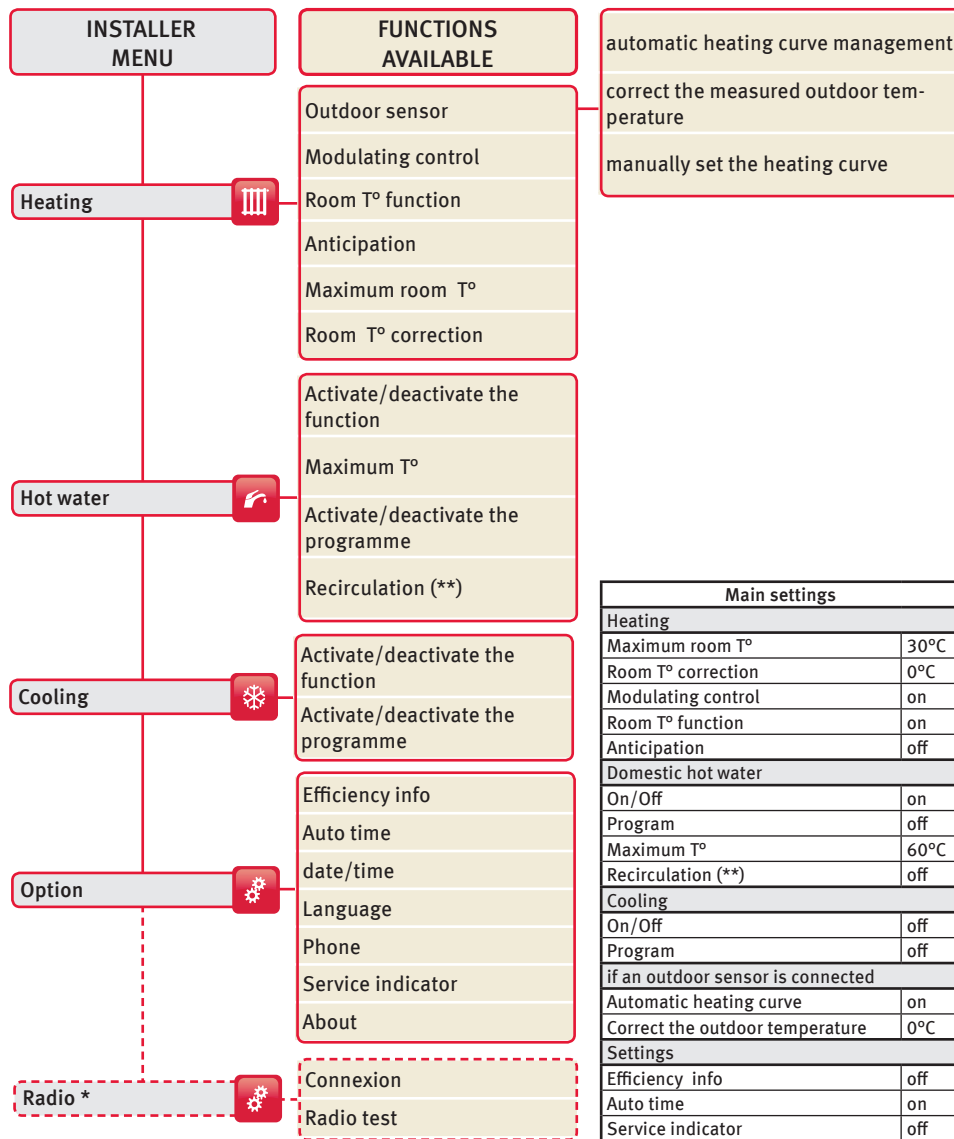
Service reminder

This function reminds the end user to service the appliance. The user must plan the maintenance of their system.

The date must be entered into the installer menu during installation and after each maintenance.

The icon «» is displayed on the room thermostat screen 30 days before the date entered into the installer menu.

8.2 Tree diagram



(*) extra menu in wireless connection mode.

(**) Not applicable for Glow-worm

INSTALLER MENU

8.3 Summary of menus and functions available

Climapro₂ can be the master or secondary room thermostat:

Master

- The “master” room thermostat of the installation has all functions available. The installation comprises only one main room thermostat. It is in general in the principal part of the dwelling (zone 1).

Secondary

- The “secondary” room thermostat located in another part has a limited number of functions.

8.4 Compatibility of the room thermostat

Room thermostat version	Appliance	Systempro	Smart wiring center 2
wired	☺	-	☺
wireless	☺	☺	-

Menus and functions (☺ = available depending on the associated appliance and the status of the thermostat)	The room thermostat is connected to:				
	Boiler	Systempro control unit		“Smart wiring centre 2” control unit	
	the status of the room thermostat is:				
	master	master	secondary	master	secondary
Heating					
Auto heating curve	☺	-	-	-	-
Modulating control	☺	-	-	-	-
Room T° function	☺	-	-	-	-
Anticipation	☺	-	-	☺	☺
Max. ambient temp.	☺	☺	☺	☺	☺
Ambient temp. correction	☺	☺	☺	☺	☺
Hot water					
Activate/deactivate the function	☺	☺	-	☺	-
Activate/deactivate the programme	☺	☺	-	☺	-
Maximum T°	☺	☺	-	☺	-
Recirculation	☺	-	-	☺	-
Cooling					
Activate/deactivate the function	-	☺	☺	-	-
Activate/deactivate the programme	-	☺	☺	-	-
Options					
Efficiency info	-	☺	☺	-	-
Auto time	☺	-	-	☺	-
Date/time	☺	☺	-	☺	-
Language	☺	☺	☺	☺	☺
Service indicator	☺	-	-	☺	-
About	☺	☺	☺	☺	☺
Radio					
Connection	☺	☺	☺	-	-
Radio test	☺	☺	☺	-	-

MAINTENANCE

9 Trouble-shooting

9.1 Fault diagnosis

The following checks should be performed before proceeding onto specific diagnostics

- Check the error messages in the room temperature thermostat's display zone

9.1.1 Wired room thermostat



IMPORTANT:
If the room thermostat becomes disconnected from the boiler, the heating system uses its own operational settings. Check that these settings are compatible with the installation.

Cause	Solution
No display on screen	Check that there is no power cut. Check that: - the boiler is properly connected and switched on, - the wiring centre is properly connected and switched on,
The ambient temperature does not reach the programmed temperature.	Check that the thermostat valves on the radiators are fully open.
The ambient temperature exceeds the programmed temperature.	Check that: - The setting of the outside sensor heating curve is suitable for the installation, - the setting of the max. heating outlet temperature is suitable for the installation.
The installation assistant is not displayed during the Commissioning.	Reset the room thermostat. See chapter "Reinitialisation of the room thermostat".

9.1.2 Wireless room thermostat



IMPORTANT:
The settings are recorded in the room thermostat and the wireless receiver.



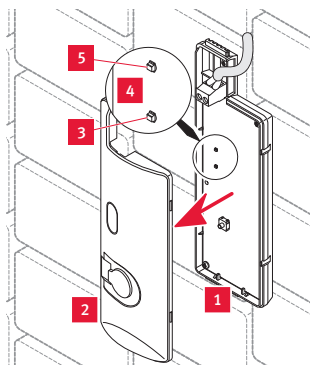
IMPORTANT:
If the wireless receiver becomes disconnected from the boiler, the heating system uses its own operational settings. Check that these settings are compatible with the installation.

Cause	Solution
No display on screen	Check that the room thermostat is not in standby mode.
	Check that there is no power cut. Check that: - the boiler is properly connected and switched on, - The room thermostat batteries are properly installed in their compartment - The battery polarity is not reversed - The batteries are not exhausted. If so, replace with new batteries.
The ambient temperature does not reach the programmed temperature.	Check that the thermostat valves on the radiators are fully open.
The ambient temperature exceeds the programmed temperature.	Check that: - The setting of the outside sensor heating curve is suitable for the installation, - the setting of the max. heating outlet temperature is suitable for the installation.

9.1.3 Radio receiver



IMPORTANT:
Faults described in this chapter should be rectified by a qualified engineer and if needed by the After Sales Service.



Key

- 1 Radio receiver
- 2 Cover for radio receiver
- 3 Red LED
- 4 Radio receiver circuit board
- 5 Green LED

In the event of a problem:

- Remove the cover (2) from the radio receiver (1) to see the 2 LEDs.
- Check the state of the 2 LEDs (green (5) and red (3) located on the electronic board (4) in the radio receiver.

Radio receiver	Cause	Solution
Green LED off Red LED off	- Failure of electrical supply - Defective EBUS connection cable	Ensure that there is no interruption to the electricity supply and that the appliance is properly connected and turned on. • Check the electrical connection between the receiver and the appliance.

Radio receiver	Cause	Solution
Red LED switched on	- Appliance fault - Radio signal transmission error - EBUS communications error - Defective radio transmitter or receiver - EBUS connecting cable defective	<ul style="list-style-type: none"> • Check that: <ul style="list-style-type: none"> - The appliances functioning status is correct - The room thermostat batteries are properly installed in their compartment - The battery polarity is not reversed - The batteries are not exhausted. If so, replace with new batteries. • Check the electrical connection between the receiver and the appliance. • Check the radio communication between the thermostat and the receiver.

9.2 Resetting the room thermostat

This function is used to return the room thermostat to factory settings.

This restarts the installation assistant.



ATTENTION:
The resetting of factory settings is irreversible. All customised configuration of the room thermostat will be lost.

- Simultaneously press the buttons for 10 seconds.
- Confirm by pressing .

TECHNICAL DATA

10 Climapro₁

Description	Unit	Climaplus RF
Room temperature authorized in the room where the control is installed	°C	50
Maximum authorised temperature of domestic water	°C	65
Power-supply voltage EBUS	V	24
Electrical connection cable section	mm ²	2 x 0.75
Max. length of electric connection cables	m	300
Electrical protection		IP20
Pollution rating		2
Dimensions:		
Height	mm	97
Width	mm	146.5
Depth	mm	35

11 Climapro₁ RF

Description	Unit	Climaplus
Room temperature authorized in the room where the control is installed	°C	50
Maximum authorised temperature of domestic water	°C	65
Power-supply voltage EBUS	V	24
Electrical connection cable section	mm ²	2 x 0.75
Max. length of electric connection cables	m	300
Transmission/reception frequency	MHz	868
Electrical protection		IP20
Pollution rating		2
Frequency of communication with outdoor sensor	min	15
Frequency of communication with the control box	min	10
Average unobstructed working range (*)	m	100
Average range within the home (*)	m	25
Thermostat dimensions:		
Height	mm	115
Width	mm	146.5
Depth	mm	41
Wireless receiver dimensions:		
Height	mm	20
Width	mm	171
Depth	mm	58
(*) Can vary according to installation conditions and electromagnetic environment		



Subject to engineering changes

0020140263_00 - 11/11

GLOW-WORM

Nottingham Road,
Belper, Derbyshire.
DE56 1JT

www.glow-worm.co.uk

Because of our constant endeavour for improvement, details may vary slightly from those shown in these instructions.

Glow•worm
The energy you need