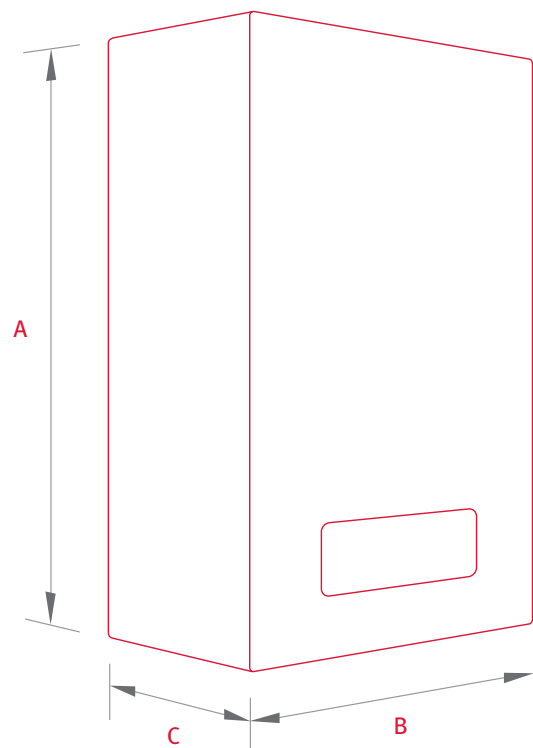
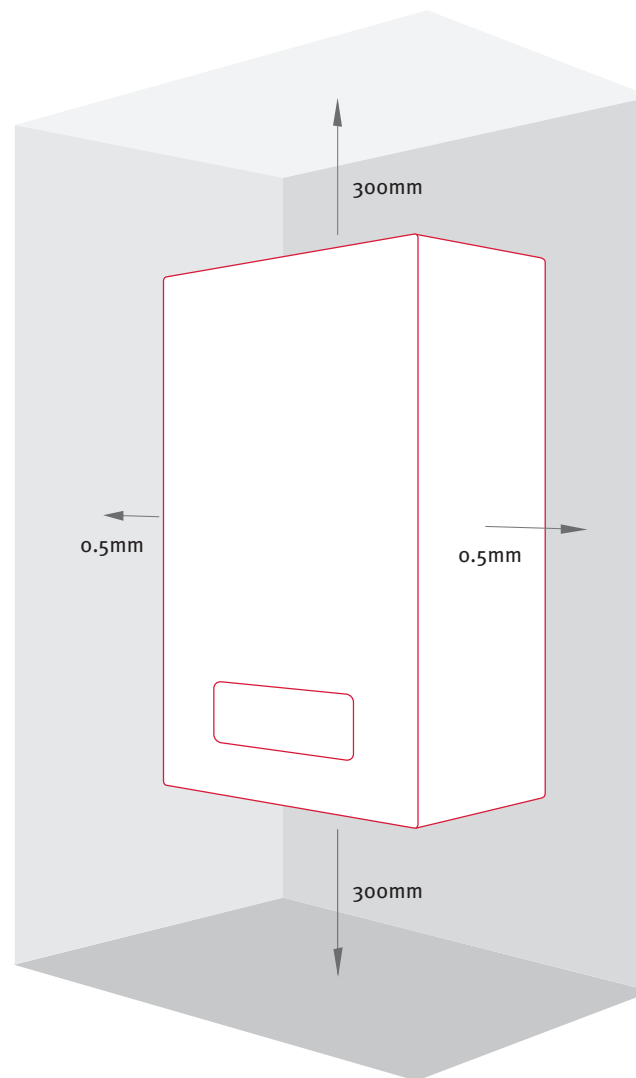


Product dimensions

Height (A)	Width (B)	Depth (C)
740mm	418mm	300mm



Product clearances



INVESTOR IN PEOPLE

Glow-worm

Nottingham Road
Belper
Derbyshire
DE56 1JT
www.glow-worm.co.uk

Head Office
01773 824 639
info@glow-worm.co.uk

Literature
01773 596 105
literature@glow-worm.co.uk

Service Department
0330 100 7678
customerservice@glow-worm.co.uk

Installer Technical Support
0330 100 7679
technical@glow-worm.co.uk

Training
01773 596 156
training@glow-worm.co.uk

Spare Parts
01773 596 090

Club Energy
01865 893417
clubenergy.co.uk

GWPCE01/16

Procombi ESSENTIAL

brought to you by

Glow-worm
The energy you need



Procombi Essential

Value without compromise

Introducing the Procombi ESSENTIAL

Value without compromise

The Procombi Essential is designed and built by Glow-worm to give you a winning formula in the highly crowded and competitive market you're in.

With the Procombi Essential you now have the opportunity to compete on quality, performance, and value for money, turning a challenge into a lucrative opportunity for you.



Features & Benefits

- Great value combi range with choice of 24 or 28kW outputs
- In-built analogue timer
- Easy to use interface with LCD display
- Simple smart design
- Lightweight Aluminium heat exchanger providing great performance
- High efficiency, A rated boiler for ErP energy labelling to reduce energy bills
- Grundfos modulating pump for reduced energy use
- Compatible with full range of Glow-worm controls, flues and accessories
- 2 year parts and labour guarantee* with an extended warranty option available through Club Energy

Free 2 year warranty* with option to extend



ErP A rated



Built in the UK



Ultra quiet operation



Easy to install and service



Controls

Procombi Essential features an integrated analogue timer as standard. In addition it is also compatible with a great choice of intelligent controls and accessories to deliver the most efficient heating system for your customers.



MiGo
Wifi connected, app based control



Climapro₂ RF
Wireless programmable room thermostat



Climastat
Easy to use digital heating thermostat



Climapro₂
Programmable room thermostat

*When registered through Club Energy

Procombi Essential boiler	24kW	28kW
Weight (lift) (kg)	32	33
Performance		
CH output (kW) Min/Max	5/20.4	6/24.7
NOx class 5 (natural gas)	Yes	Yes
Casing dimensions (h w d)	740mm x 418mm x 300mm	740mm x 418mm x 300mm
DHW flow rate storage/combi (l/min, 35C rise)	10	11.7
60/100 Flue Length		
Horizontal	9m	9m
Vertical	9m	9m
SEDBUK 2009 annual efficiency (%)	89.3	89.3
ErP Rating Heating	A	A
ErP Rating DHW	A	A
Installation		
Suitable for sealed systems	Yes	Yes
Inbuilt adjustable system bypass	Yes	Yes
Inbuilt condensate trap/siphon	Yes	Yes
Inbuilt boiler frost protection	2 stage	2 stage
Zero compartment ventilation	Yes	Yes
Clearances		
Top (mm) (from top of boiler)	300	300
Side (mm)	0.5	0.5
Bottom (mm)	300	300
Front (mm) ²	600	600
Flues		
Max horizontal ø80/125	9m	9m
Max vertical ø80/125	9m	9m
Optional plume management kit ø50/100	Yes	Yes

clubenergy

Procombi Essential is supported by Club Energy - the award winning installer loyalty programme from Glow-worm.



Free 2 year warranty* with option to extend



Business Development
Free tools to grow your business



Plumbing Toolbox App
Industry leading Plumbing Toolbox App making installations easy



Training
Free on and offline training available



Business tools
Including instant Gas Safe notifications

To find out more about how you can benefit from Club Energy or to join free today visit www.clubenergy.co.uk or call 0845 275 7018
twitter: @glow_wormclub