

# Energy

The power of connectivity

## Glow-worm

Nottingham Road  
Belper  
Derbyshire  
DE56 1JT

Department	Telephone	Email
Head Office	01773 824 639	info@glow-worm.co.uk
Literature	01773 596 105	literature@glow-worm.co.uk
<b>Service Department</b>		
Boilers	0330 100 7678	customerservice@glow-worm.co.uk
Renewables/New Technology	0330 100 7681	renewableservice@glow-worm.co.uk
<b>Installer Technical Support</b>		
Boilers	0330 100 7679	technical@glow-worm.co.uk
Renewables/New Technology	0330 100 7677	renewableservice@glow-worm.co.uk
Training	01773 596 156	training@glow-worm.co.uk
Spare Parts	01773 596 090	spares@glow-worm.co.uk



INVESTOR IN PEOPLE



**MiGo**



# Energy At the heart of your business...

## Introducing the new Energy boiler range from Glow-worm

By choosing Energy, you're actually investing in a whole new connected way of working which is designed to make your life easier and your business more successful.

Energy uses the power of connectivity via the Plumbing Toolbox App to give you access to technical help, training and support from Glow-worm.

Plumbing Toolbox connects you to your business, and significantly reduces the time you spend on admin - letting you register your Gas Safe notifications and complete Benchmark on the go. You can even buy extended warranties direct from your phone and register your installations for a superb range of rewards from the Club Energy loyalty programme. You can also build your business by connecting

with Club Energy to get access to a range of really useful business development tools to give you a professional edge.

It doesn't end there. Energy even gives your customers connectivity, allowing them to control their heating from wherever they happen to be using the MiGo App. Your customers can also connect online with you and their Energy boiler using myGlow-worm.co.uk to access vital documents & manuals, how-to videos, servicing information and the latest energy saving tips. It's all about self service and your customers can easily connect with you whenever they need to book a service or get a quote.

Connectivity is at the heart of Energy, and it really is a big deal - let's talk some more about it...



# ... and your customers' homes



# Energy The power of connectivity...

## Efficient & high quality boiler range

The Energy boiler includes a new unique automotive grade aluminum heat exchanger, delivering class leading performance and efficiency.



## A wide range of options to suit any home

Energy has a wide range of outputs, covering combi, system and regular installations, along with a choice of rear or top flues allowing you to install virtually anywhere - even a kitchen cupboard. Energy will suit the heating demands of most house types and system requirements.



## Modern design and great display

Energy has modern design which will suit your customer's homes and comes with a bright, easy to read LCD display.



## Great choice of easy to install heating controls

Energy comes with a great choice of simple to install controls, from basic wall mounted thermostats to wireless controls with weather compensation to improve heating efficiency even further. Unique to Energy is the MiGo smart phone connected solution which enables customers to manage their heating demands wherever they are - away from home, at work or on holiday.



## Online customer self service using myGlow-worm.co.uk

Your customers can connect to their Energy online with myGlow-worm.co.uk where they can find the important documents such as their guarantee, Gas Safe Certificate, Benchmark and useful manuals and how-to videos. This easy to use self-service website also means they can connect with you easily when the service is due and maintain their guarantee, keeping Energy running efficiently.



## Industry leading choice of warranties

For extra piece of mind you can offer customers an industry leading choice of warranty, from the standard 2 years all the way up to a 15 year warranty when registered via the Club Energy loyalty programme. Whichever warranty your customer chooses, you can be assured it is backed by the nationwide Glow-worm service and spares operation.



## Install an easier way of working with Plumbing Toolbox

Plumbing Toolbox makes it even easier to install, allowing you to complete the registration, warranty, Gas Safe notification and Benchmark on your phone - saving you time and money. Plumbing Toolbox even reminds you and your customer when it's due a service - which means you can even manage your service business from your phone!





## Product benefits

- Wide product range**  
 An Energy for virtually any installation
- Top and rear flue options**  
 Rear and top flue flexibility means that Energy will fit most install situations - especially good for retrofit installation!
- High quality automotive grade aluminium heat exchanger**  
 Designed to last longer, easy to maintain, super quiet and reduces customers' energy bills.
- Compact size**  
 Small footprint boiler range that offers the choice to install in more locations, including a kitchen cupboard.
- Modern bright LCD display**  
 Excellent clarity of boiler information wherever it is installed, making it easy to change and confirm settings in dimly lit areas.
- High efficiency modulating Grundfos pump**  
 Lower running costs as the pump adapts to actual heating and hot water demand.



FREE 5 year warranty option to increase to 7, 10 and 15 years



ErP ready



Direct rear flue



Built in the UK



Ultra quiet operation

\*Free 5 year warranty when registered on Club Energy

# Energy combi boiler

The Energy combi boiler comes with a great range of outputs, attractive modern design, bright easy to use interface and a choice of controls.

Energy is a light and compact boiler with a choice of rear or top flue making it easy to install in any situation. Using an industry standard DIN layout makes boiler swaps quick and the aluminium heat exchanger has large waterways making it perfect for retrofit jobs.

Energy just requires simple water flush cleaning for the heat exchanger which means lower costs and no special cleaning tools. The patented 4 sided cooling reduces the stress on the heat exchanger which means longer term reliability for your customers. Energy is supported by UK wide spare parts availability.

Energy combi boilers	25kW	30kW	35kW
Casing dimensions (h w d)	700mm x 390mm x 280mm	700mm x 390mm x 280mm	700mm x 390mm x 280mm
DHW flow rate (l/min, 35C rise)	10.4l/min	12.5l/min	14.4l/min
60/100 Flue Length			
Horizontal	10m	10m	10m
Vertical	10m	10m	10m
SEDBUK 2009 annual efficiency (%)	89.3	89.3	89.2
ErP Rating (Heating/DHW)	A/A	A/A	A/A
Rear Flue	Yes	Yes	Yes
Article Number	0010015652	0010015653	0010015654

## Accessories

Energy has a great choice of intelligent controls and accessories to deliver the most efficient heating system for your customers.



**MiGo**  
WiFi connected single zone control



**Climapro<sub>2</sub> RF**  
Wireless programmable room thermostat



**Climapro<sub>1</sub>**  
Programmable room thermostat

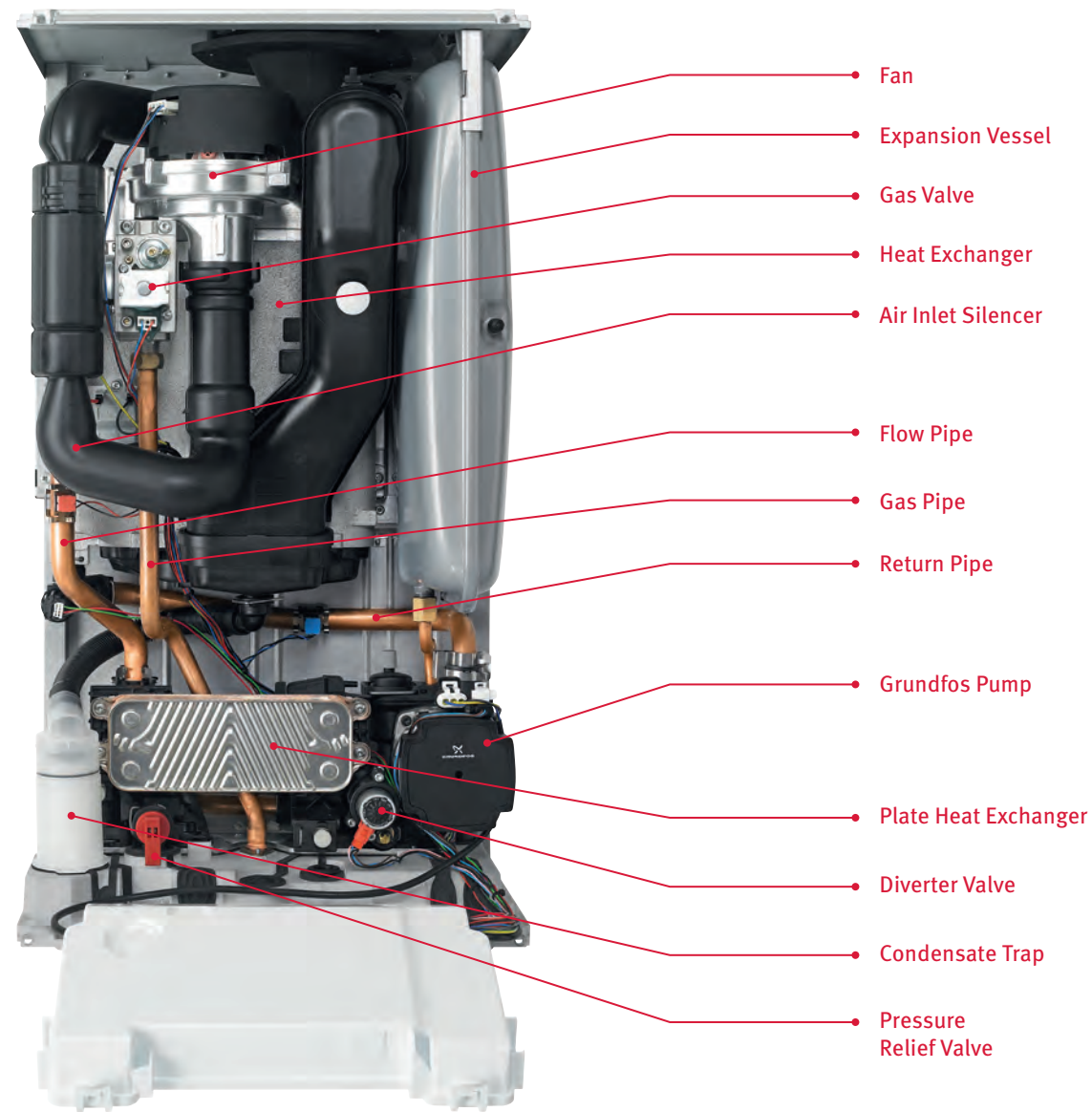


**Climastat**  
Easy to use digital room thermostat



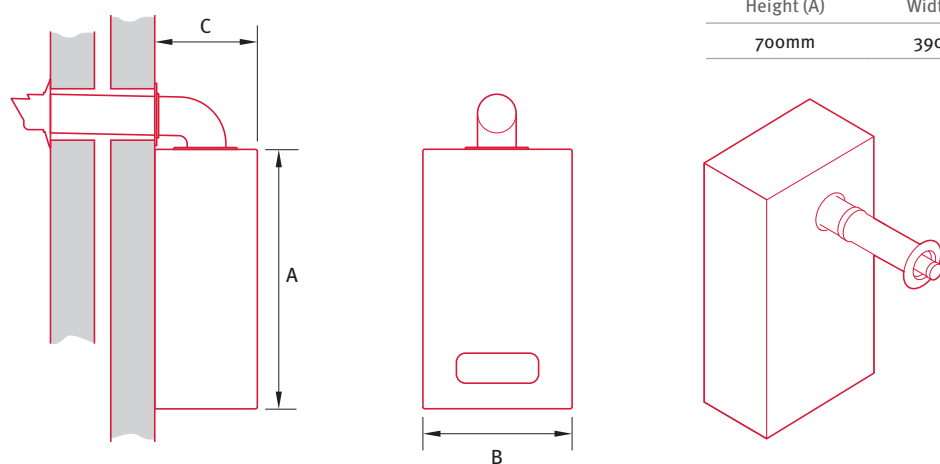
**Optiflue**  
Passive Flue Gas Heat Recovery Device

# Technical specifications



## Boiler dimensions

Height (A)	Width (B)	Depth (C)
700mm	390mm	280mm



## Energy combi boilers

Energy combi boilers	25kW	30kW	35kW
Casing dimensions (h w d) (mm)	700 x 390 x 280	700 x 390 x 280	700 x 390 x 280
Weight (lift) (kg)	32	32	33
<b>Performance</b>			
CH output (kW)	25	30	35
DHW output (kW)	25.7	30.6	35.7
DHW flow rate (l/min, 35°C rise)	10.4	12.5	14.4
Minimum operating pressure (bar)	0.3	0.3	0.3
Min pressure for max flow	1.0	1.0	1.0
SEDBUK 2009 annual efficiency (%)	89.3	89.3	89.2
ErP Rating Heating	A	A	A
ErP Rating DHW	A	A	A
NOx class 5 (natural gas)	Yes	Yes	Yes
<b>Construction</b>			
Heat exchanger material	Aluminium	Aluminium	Aluminium
Burner type	Downward firing	Downward firing	Downward firing
Fully modulating	Yes	Yes	Yes
DHW plate heat exchanger	Stainless	Stainless	Stainless
Integrated hydrobloc	Yes	Yes	Yes
<b>Installation</b>			
Suitable for sealed systems	Yes	Yes	Yes
Filling loop	Integrated	Integrated	Integrated
Inbuilt system bypass	Yes	Yes	Yes
Inbuilt condensate trap/siphon	Yes	Yes	Yes
Inbuilt frost protection	Yes	Yes	Yes
Zero compartment ventilation	Yes	Yes	Yes
Pump	Grundfos	Grundfos	Grundfos
<b>Clearances</b>			
Top (mm)	300	300	300
Side (mm)	0.5*	0.5*	0.5*
Bottom (mm)	300	300	300
Front (mm)	600**	600**	600**
<b>User Interface</b>			
Diagnostics	Advanced/Intuitive	Advanced/Intuitive	Advanced/Intuitive
User adjustable CH temp control	Yes	Yes	Yes
User adjustable DHW temp control	Yes	Yes	Yes
Warm Start	Yes	Yes	Yes
<b>Accessories</b>			
Optional spacing frame	Yes	Yes	Yes
Plug in mechanical timer	Optional	Optional	Optional
Aesthetic pipe cover	Yes	Yes	Yes
Optiflue compatible (PFGHRD)	Yes	Yes	Yes
<b>Flues</b>			
Max horizontal 60/100	10m	10m	10m
Max vertical 60/100	10m	10m	10m
Max horizontal 80/125	25m	25m	25m
Max Vertical 80/125	25m	25m	25m
Optional plume management kit 60/100	Yes	Yes	Yes
Direct Rear Flue	Yes	Yes	Yes

\* See manual for clearance if side panels to be removed to assist future service and maintenance

\*\* 5mm if removable panel/door





## Product benefits

- Wide product range**  
 An Energy for virtually any installation
- Top and rear flue options**  
 Rear and top flue flexibility means that Energy will fit most install situations - especially good for retrofit installation!
- High quality automotive grade aluminium heat exchanger**  
 Designed to last longer, easy to maintain, super quiet and reduces customers' energy bills.
- Compact size**  
 Small footprint boiler range that offers the choice to install in more locations, including a kitchen cupboard.
- Modern bright LCD display**  
 Excellent clarity of boiler information wherever it is installed, making it easy to change and confirm settings in dimly lit areas.
- High efficiency modulating Grundfos pump**  
 Lower running costs as the pump adapts to actual heating and hot water demand.



FREE 5 year warranty  
 Option to increase to 7, 10 and 15 years



ErP ready



Direct rear flue



Built in the UK



Ultra quiet operation

\*Free 5 year warranty when registered on Club Energy

# Energy system boiler

The Energy system boiler comes with a great range of outputs, attractive modern design, bright easy to use interface and a choice of controls. The Energy sealed system boiler range is suitable for homes with high hot water demands and can be installed with Glow-worm's range of cylinders for hot water storage.

Energy is a light and compact boiler with a choice of rear or top flue making it easy to install in any situation. Using an industry standard DIN layout makes boiler swaps quick and the aluminium heat exchanger has large waterways making it perfect for retrofit jobs.

Energy just requires simple water flush cleaning for the heat exchanger which means lower costs and no special cleaning tools. The patented 4 sided cooling reduces the stress on the heat exchanger which means longer term reliability for your customers. Energy is supported by UK wide spare parts availability.

Energy system boilers	12kW	15kW	18kW	25kW	30kW
Casing dimensions (h w d)	700mm x 390mm x 280mm	700mm x 390mm x 280mm	700mm x 390mm x 280mm	700mm x 390mm x 280mm	700mm x 390mm x 280mm
60/100 Flue Length					
Horizontal	10m	10m	10m	10m	10m
Vertical	10m	10m	10m	10m	10m
SEDBUK 2009 annual efficiency (%)	89.4	89.4	89.4	89.4	89.3
ErP Rating	A	A	A	A	A
Rear Flue	Yes	Yes	Yes	Yes	Yes
Article Number	0010015655	0010015656	0010015657	0010015658	0010015659

## Accessories

Energy has a wide choice of intelligent controls and accessories to deliver the most efficient heating system for your customers.



**MiGo**  
 WiFi connected single zone control



**Climapro<sub>2</sub> RF**  
 Wireless programmable room thermostat



**Climapro<sub>1</sub>**  
 Programmable room thermostat



**Climastat**  
 Easy to use digital room thermostat

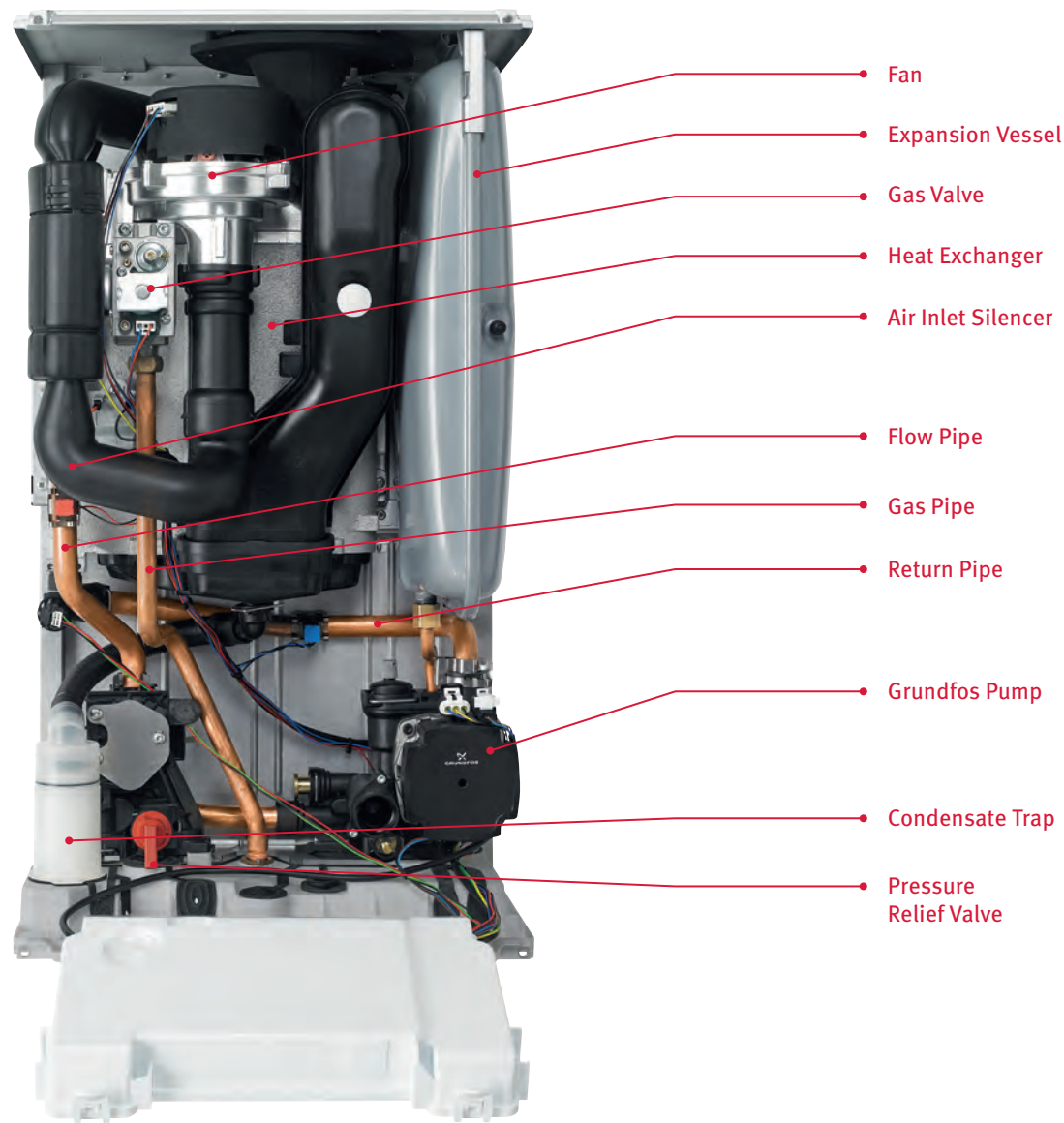


**Systempro<sub>3</sub>**  
 Weather compensated multi zone wiring centre



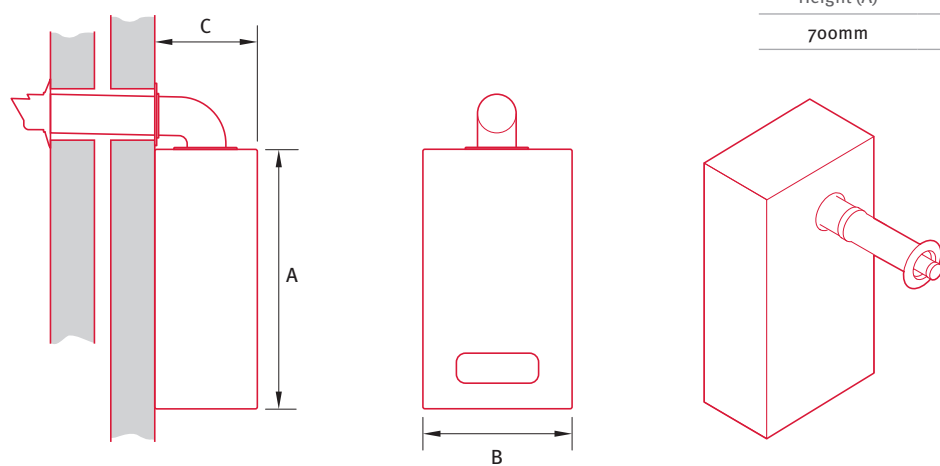
**Hydracyl**  
 Full range of cylinders available

# Technical specifications



## Boiler dimensions

Height (A)	Width (B)	Depth (C)
700mm	390mm	280mm



## Energy system boilers

Energy system boilers	12kW	15kW	18kW	25kW	30kW
Casing dimensions (h w d) (mm)	700 x 390 x 280	700 x 390 x 280	700 x 390 x 280	700 x 390 x 280	700 x 390 x 280
Weight (lift) (kg)	31	31	31	32	32
<b>Performance</b>					
CH output (kW)	12	15	18	25	30
Minimum operating pressure (bar)	0.3	0.3	0.3	0.3	0.3
SEDBUK SAP 2009 rating (%)	89.4	89.4	89.4	89.4	89.3
ErP Rating	A	A	A	A	A
NOx class 5 (natural gas)	Yes	Yes	Yes	Yes	Yes
<b>Construction</b>					
Heat exchanger material	Aluminium	Aluminium	Aluminium	Aluminium	Aluminium
Burner type	Downward firing	Downward firing	Downward firing	Downward firing	Downward firing
Fully modulating	Yes	Yes	Yes	Yes	Yes
<b>Installation</b>					
Suitable for sealed systems	Yes	Yes	Yes	Yes	Yes
Inbuilt condensate trap/siphon	Yes	Yes	Yes	Yes	Yes
Inbuilt frost protection	Yes	Yes	Yes	Yes	Yes
Zero compartment ventilation	Yes	Yes	Yes	Yes	Yes
Pump	Grundfos	Grundfos	Grundfos	Grundfos	Grundfos
<b>Clearances</b>					
Top (mm)	300	300	300	300	300
Side (mm)	0/5*	0/5*	0/5*	0/5*	0/5*
Bottom (mm)	300	300	300	300	300
Front (mm)	600**	600**	600**	600**	600**
<b>User Interface</b>					
Diagnostics	Advanced/Intuitive	Advanced/Intuitive	Advanced/Intuitive	Advanced/Intuitive	Advanced/Intuitive
User adjustable CH temp control	Yes	Yes	Yes	Yes	Yes
<b>Accessories</b>					
Optional spacing frame	Yes	Yes	Yes	Yes	Yes
Plug in mechanical timer	Optional	Optional	Optional	Optional	Optional
Aesthetic pipe cover	Yes	Yes	Yes	Yes	Yes
<b>Flues</b>					
Max horizontal 60/100	10m	10m	10m	10m	10m
Max vertical 60/100	10m	10m	10m	10m	10m
Max horizontal 80/125	25m	25m	25m	25m	25m
Max Vertical 80/125	25m	25m	25m	25m	25m
Optional plume management kit 60/100	Yes	Yes	Yes	Yes	Yes
Direct Rear Flue	Yes	Yes	Yes	Yes	Yes

\* See manual for clearance if side panels to be removed to assist future service and maintenance  
 \*\* 5mm if removable panel/door

# Energy regular boiler

The Energy regular (for open vent systems) boiler comes with a great range of outputs, attractive modern design, bright easy to use interface and a choice of controls. The Energy regular boiler range is suitable for homes with high hot water demands and can be installed with Glow-worm's range of cylinders for hot water storage.

Energy is a light and compact boiler with a choice of rear or top flue making it easy to install in any situation. Using an industry standard DIN layout makes boiler swaps quick and the aluminium heat exchanger has large waterways making it perfect for retrofit jobs.

Energy just requires simple water flush cleaning for the heat exchanger which means lower costs and no special cleaning tools. The patented 4 sided cooling reduces the stress on the heat exchanger which means longer term reliability for your customers. Energy is supported by UK wide spare parts availability.

Energy regular Boilers	12kW	15kW	18kW	25kW	30kW
Casing dimensions (h w d)	600mm x 375mm x 280mm	600mm x 375mm x 280mm	600mm x 375mm x 280mm	600mm x 375mm x 280mm	600mm x 375mm x 280mm
60/100 Flue Length					
Horizontal	10m	10m	10m	10m	10m
Vertical	10m	10m	10m	10m	10m
SED BUK 2009 annual efficiency (%)	89.4	89.4	89.4	89.4	89.3
ErP Rating	A	A	A	A	A
Rear Flue	Yes	Yes	Yes	Yes	Yes
Article Number	0010015660	0010015661	0010015662	0010015663	0010015664

## Accessories

Energy has a wide choice of intelligent controls and accessories to deliver the most efficient heating system for your customers.



**MiGo**  
WiFi connected single zone control



**Climapro<sub>2</sub> RF**  
Wireless programmable room thermostat



**Climapro<sub>1</sub>**  
Programmable room thermostat



**Climastat**  
Easy to use digital room thermostat



**Systempro<sub>3</sub>**  
Weather compensated multi zone wiring centre



**Hydracyl**  
Full range of cylinders available

## Product benefits

- **Wide product range**  
An Energy for virtually any installation
- **Rear flue option**  
Rear and top flue flexibility means that Energy will fit most install situations - especially good for retrofit installation!
- **High quality automotive grade aluminium heat exchanger**  
Designed to last longer, easy to maintain, super quiet and reduces customers' energy bills.
- **Compact size**  
Small footprint boiler range that offers the choice to install in more locations, including a kitchen cupboard.
- **Modern bright LCD display**  
Excellent clarity of boiler information wherever it is installed, making it easy to change and confirm settings in dimly lit areas.



FREE 5 year warranty  
Option to increase to 7, 10 and 15 years



ErP ready



Direct rear flue



Built in the UK

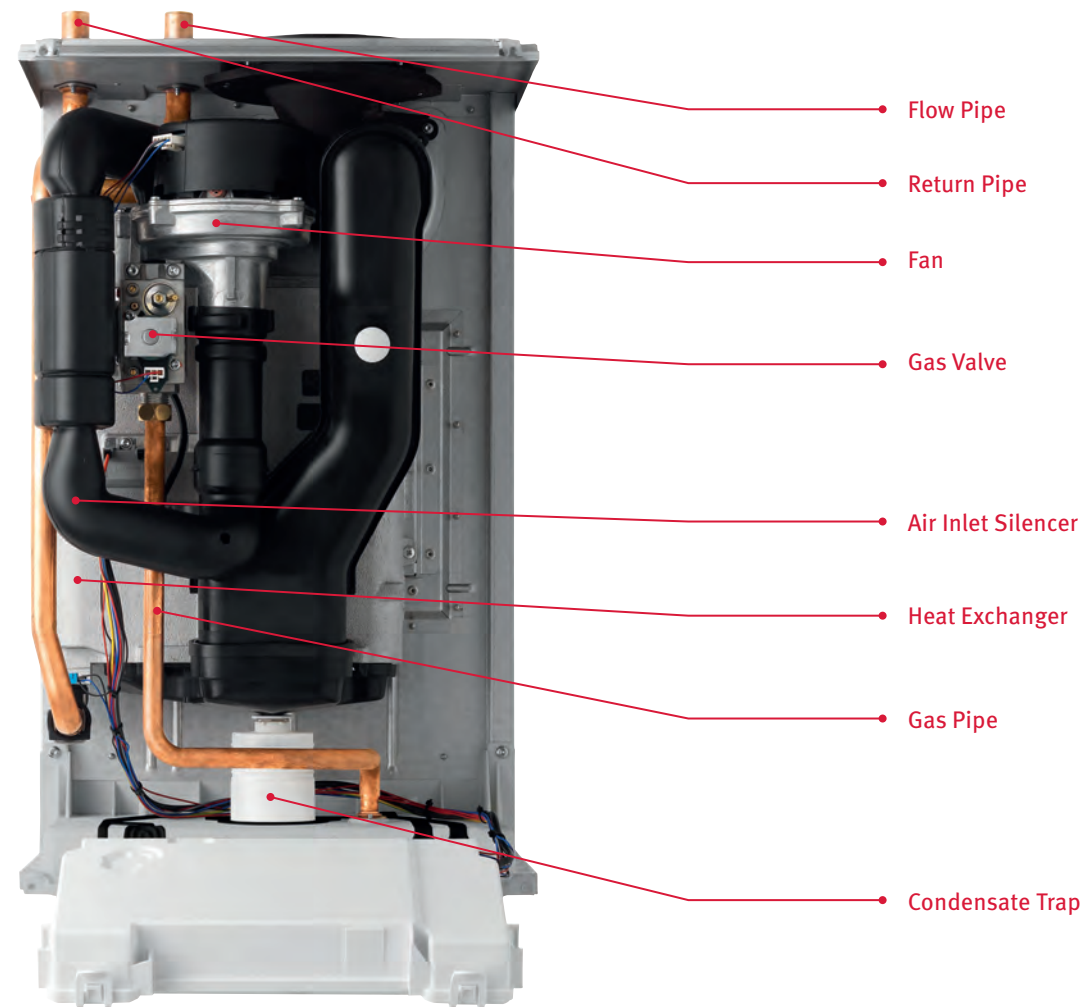


Ultra quiet operation

\*Free 5 year warranty when registered on Club Energy

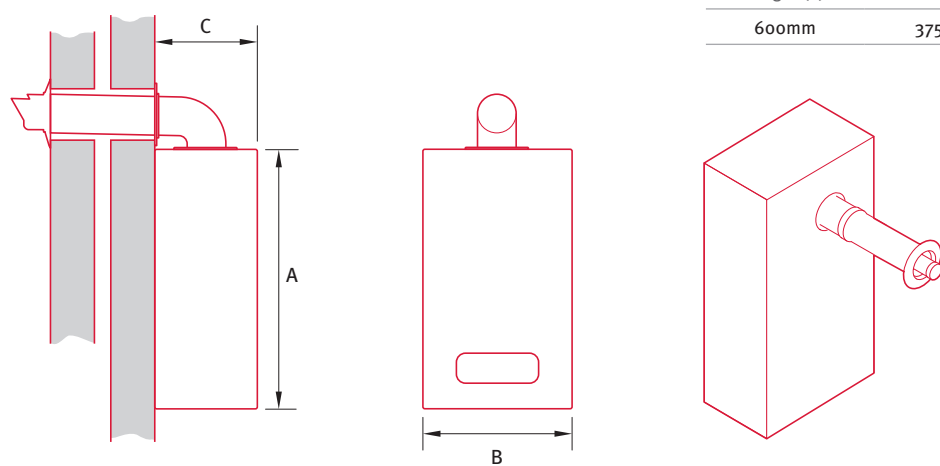


# Technical specifications



## Boiler dimensions

Height (A)	Width (B)	Depth (C)
600mm	375mm	280mm



## Energy regular boilers

Energy regular boilers	12kW	15kW	18kW	25kW	30kW
Casing dimensions (h w d) (mm)	600 x 375 x 280	600 x 375 x 280	600 x 375 x 280	600 x 375 x 280	600 x 375 x 280
Weight (lift) (kg)	22	22	22	23	23
<b>Performance</b>					
CH output (kW)	12	15	18	25	30
Minimum operating pressure (bar)	0.3	0.3	0.3	0.3	0.3
SEDBUK SAP 2009 rating (%)	89.4	89.4	89.4	89.4	89.3
ErP Rating	A	A	A	A	A
NOx class 5 (natural gas)	Yes	Yes	Yes	Yes	Yes
<b>Construction</b>					
Heat exchanger material	Aluminium	Aluminium	Aluminium	Aluminium	Aluminium
Burner type	Downward firing	Downward firing	Downward firing	Downward firing	Downward firing
Fully modulating	Yes	Yes	Yes	Yes	Yes
<b>Installation</b>					
Inbuilt condensate trap/siphon	Yes	Yes	Yes	Yes	Yes
Inbuilt frost protection	Yes	Yes	Yes	Yes	Yes
Zero compartment ventilation	Yes	Yes	Yes	Yes	Yes
<b>Clearances</b>					
Top (mm)	300	300	300	300	300
Side (mm)	0/5*	0/5*	0/5*	0/5*	0/5*
Bottom (mm)	300	300	300	300	300
Front (mm)	600**	600**	600**	600**	600**
<b>User Interface</b>					
Diagnostics	Advanced/Intuitive	Advanced/Intuitive	Advanced/Intuitive	Advanced/Intuitive	Advanced/Intuitive
User adjustable CH temp control	Yes	Yes	Yes	Yes	Yes
<b>Flues</b>					
Max horizontal 60/100	10m	10m	10m	10m	10m
Max vertical 60/100	10m	10m	10m	10m	10m
Max horizontal 80/125	25m	25m	25m	25m	25m
Max Vertical 80/125	25m	25m	25m	25m	25m
Optional plume management kit 60/100	Yes	Yes	Yes	Yes	Yes
Direct Rear Flue	Yes	Yes	Yes	Yes	Yes

\* See manual for clearance if side panels to be removed to assist future service and maintenance  
 \*\* 5mm if removable panel/door



## Product benefits

- Energy 35 Store has two highly insulated 21 litre integrated tanks**  
 Provides high performance heating and instant, sustained hot water supply for larger properties.
- High efficiency Combi Store technology**  
 Offers fast re-generation times of less than 5 minutes for hot water demands and quicker than hot water cylinders.
- DHW flow rate of 19.7 litres/minute**  
 Rapid delivery to fill a bath quickly providing comfort and convenience.
- Combined Combi with storage tanks in one unit**  
 Avoids the need for a hot water cylinder to free up space and reduces complexity and cost of installation.



FREE 5 year warranty option to increase to 7, 10 and 15 years



ErP ready



Unlimited domestic hot water



Ultra quiet operation

# Energy 35 Store

The Energy 35 Store is a fully integrated wall hung boiler, which combines the benefits of both a system and combi boiler in one package. It provides efficient heating and instant, unlimited domestic hot water, making it perfect for larger properties with a high domestic hot water demand.

The two 21 litre insulated tanks, housed inside the unit, provide a short re-heat time of less than 5 minutes and can significantly reduce heat loss. Energy 35 Store avoids the need to put in a hot water cylinder – reducing complexity, installation time and cost.

Energy 35 Store Boiler	35kW
Casing dimensions (h w d)	890mm x 470mm x 561mm
DHW flow rate (l/min, 35°C rise)	19.7
60/100 Flue Length	
Horizontal	10m
Vertical	10m
SEDBUK 2009 annual efficiency (%)	89.4%
ErP Rating (Heating/DHW)	A/A
Rear Flue	No
Article Number	0010017338
Adjustable to LPG	Yes

For more detail on the complete range of controls please refer to page 22

## Accessories

Energy Store has a wide choice of intelligent controls and accessories to deliver the most efficient heating system for your customers.



**MiGo**  
WiFi connected single zone control



**Climapro<sub>2</sub> RF**  
Wireless programmable room thermostat



**Climapro<sub>1</sub>**  
Programmable room thermostat

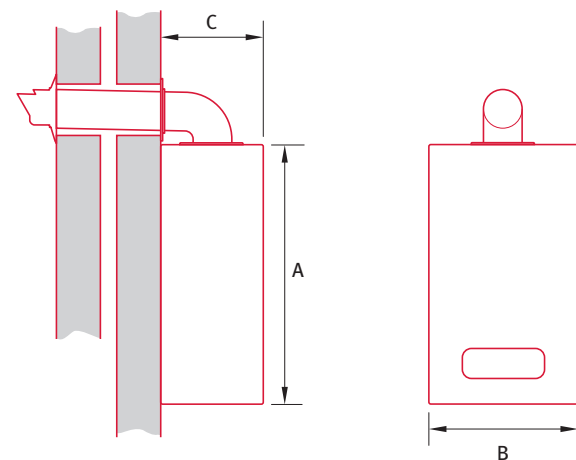
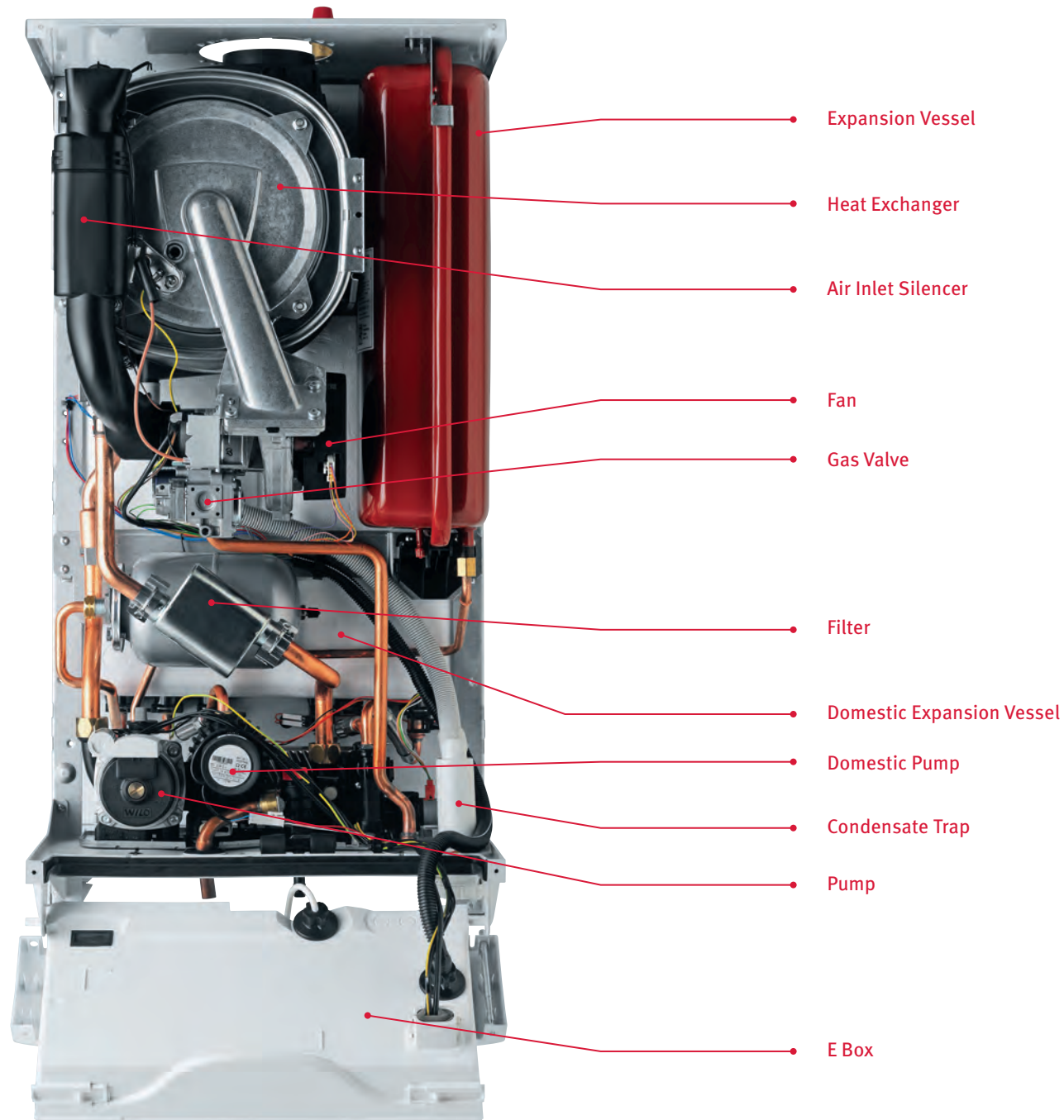


**Climastat**  
Easy to use digital room thermostat



**Systempro<sub>3</sub>**  
Weather compensated multi zone wiring centre

# Technical specifications



## Boiler dimensions

Height (A)	Width (B)	Depth (C)
890mm	470mm	561mm

## Energy 35 store boilers

Energy combi storage boiler	35kW
Casing dimensions (h w d) (mm)	890 x 470 x 561
Weight (lift) (kg)	67
<b>Performance</b>	
CH output (kW) Min/Max	8.5/30.0
DHW output (kW)	8.7/35.7
DHW flow rate (l/min, 35°C rise)	19.7
Minimum operating pressure (bar)	0.3
Min pressure for max flow	1.0
SEDBUK 2009 annual efficiency (%)	89.4%
ErP Rating Heating	A
ErP Rating DHW	A
NOx class 5 (natural gas)	5
<b>Construction</b>	
Heat exchanger material	Stainless steel
Burner type	pre mixed
Fully modulating	Yes
DHW plate heat exchanger	Yes
Integrated hydrobloc	Yes
<b>Installation</b>	
Suitable for sealed systems	Yes
Filling loop	Yes
Inbuilt system bypass	Yes
Inbuilt condensate trap/siphon	trap
Inbuilt frost protection	2 stage
Zero compartment ventilation	Yes
Pump	Wilo Yonos HB15/7.5
<b>Clearances</b>	
Top (mm)	300
Side (mm)	50 (L) / 150 (R)
Bottom (mm)	300
Front (mm)	600
<b>User Interface</b>	
Diagnostics	Advanced/intuitive
User adjustable CH temp control	Yes
User adjustable DHW temp control	Yes
Warm Start	Yes
<b>Accessories</b>	
Optional spacing frame	Yes
Timer	Yes
Aesthetic pipe cover	No
Optiflue compatible (PFGHRD)	Yes
<b>Flues</b>	
Max horizontal 60/100	10m
Max vertical 60/100	10m
Max horizontal 80/125	25m
Max Vertical 80/125	25m
Optional plume management kit 60/100	Yes
Direct Rear Flue	No



# Intelligent controls

All Glow-worm controls are exclusive to the Glow-worm boiler range. They are easy to install and are designed to provide your customer with the ultimate in efficiency, convenience and comfort.

## The world of controls explained

**eBus** is Glow-worm's unique communication protocol that ensures our user controls can work intelligently with a Glow-worm heating system to achieve even greater efficiencies with load and weather compensation.

**Load compensation** uses the controls intelligently with the boiler to directly adjust the flow temperature and increase customer comfort levels. If the room is cold the hotter the flow temperature to the radiators, as the room gets warmer the flow temperature is cooler. Less time is needed to reach a set temperature, room temperature is more stable and the system is more efficient, which lowers energy bills.

**Weather compensation** uses our outdoor sensor to measure outside temperature and adjusts the flow temperature to meet daily heating demands. The colder it is outside, the hotter the flow temperature to the radiators. As the weather gets warmer the flow temperature is cooler. This ensures the boiler operates in the most efficient way to maintain stable temperature levels and lower energy bills further.



## Simple controls packs

We've developed a choice of controls packs to suit each different user requirement

### Traditional Plug-in Timer & Thermostat Pack

- Timer plugs straight into the boiler fascia
- Wall mounted Climastat connects using simple low voltage eBus
- Can use existing cables if replacing another thermostat
- Traditional interface for customers to set heating programmes
- eBus connected Climastat means the boiler will modulate to manage heating in the most efficient way possible



Plug in Timer	✓
Room Thermostat	✓
Programmable Room Thermostat	
Wireless controls	
Enhanced Load Compensation	✓
Weather Compensation	
<b>Achieves +3% on ErP Efficiency</b>	✓

### Climapro<sub>1</sub> Wired or Wireless Programmable Thermostat Pack

- Secure wall mounted thermostat is wired using simple low voltage eBus
- User friendly design with bright backlight
- Clear straightforward menus to set heating & hot water programmes
- Annual service reminder and auto daylight saving time
- eBus connected Climapro<sub>1</sub> means the boiler will modulate to manage heating in the most efficient way possible
- Weather compensation using a simple wireless outdoor sensor



Plug in Timer	
Room Thermostat	
Programmable Room Thermostat	✓
Wireless controls	
Enhanced Load Compensation	✓
Weather Compensation*	✓
<b>Achieves +3% on ErP Efficiency**</b>	✓

\*When an outdoor sensor is included  
\*\*+4% uplift in ErP when an outdoor sensor is included.

### Climapro<sub>2</sub> RF Wireless Programmable Thermostat Pack

- Wireless thermostat, works anywhere in the home
- Wall bracket for base location and secure storage
- RF receiver slots into the boiler, simple wireless setup, no electrician required
- User friendly design with bright backlight
- Clear straightforward menus to set heating & hot water programmes
- Annual service reminder and auto daylight saving time
- eBus connected Climapro<sub>2</sub> RF means the boiler will modulate to manage heating in the most efficient way possible
- Weather compensation using a simple wireless outdoor sensor



Plug in Timer	
Room Thermostat	
Programmable Room Thermostat	✓
Wireless controls	✓
Enhanced Load Compensation	✓
Weather Compensation*	✓
<b>Achieves +3% on ErP Efficiency**</b>	✓

\*When an outdoor sensor is included  
\*\*+4% uplift in ErP when an outdoor sensor is included.

## Simple controls packs continued

### MiGo App based Programmable Thermostat Pack

- Smart phone App for iPhone & Android devices to manage heating & hot water on the go
- In room thermostat can be wall mounted or a portable table top version
- eBus connected MiGo means the boiler will modulate to manage heating in the most efficient way possible
- User profiles, energy usage reports, error reports
- Weather compensation using internet data

\* Available from October 2015



Plug in Timer	
Room Thermostat	
Programmable Room Thermostat	✓
Wireless controls	✓
Smartphone App controls	✓
Enhanced Load Compensation	✓
Weather Compensation*	✓
<b>Achieves +4% on ErP Efficiency</b>	<b>✓</b>

\*Using internet data

### Multi-zone System Heating Controls Pack

- A weather compensated wiring centre to manage up to 3 heating zones and 1 DHW zone
- Offers complete system management for a boiler, cylinder and also heat pump
- Works with all Climapro programmable thermostats and wireless outdoor sensor
- Allows integration to under floor heating with a 24v input
- Central installer interface with easy to use menus to access data on maintenance, fault history, system parameters
- eBus connected controls means the boiler will modulate to manage heating in the most efficient way possible
- Weather compensation using a simple wireless outdoor sensor



Plug in Timer	
Room Thermostat	
Programmable Room Thermostat	✓
Wireless controls	✓
Enhanced Load Compensation	✓
Weather Compensation*	✓
<b>Achieves +5% on ErP Efficiency</b>	<b>✓</b>

\*When an outdoor sensor is included

## Service

Expert advice and support from installation to maintenance

### Technical help

- If you have a technical question simply call our technical helpline on 0330 100 7679 or email [technical@glow-worm.co.uk](mailto:technical@glow-worm.co.uk) for a straightforward answer

### System design

- Glow-worm's award winning Design Service is tailored to suit your individual site requirements
- We use state of the art CAD technology to provide efficient, high quality designs supported by full indemnity cover

## Nationwide after sales service

- Supporting you with technical help and after sales service online, over the telephone and on the road
- 250 engineers based around the UK, carrying over 1,500 different spare parts
- 97% first time fix rate

For our service department please call 0330 100 7678 or email [customerservice@glow-worm.co.uk](mailto:customerservice@glow-worm.co.uk)

## Genuine high quality spares

- Spares availability for up to 15 years after production ends
- Nationwide spares stockists with over 1000 locations
- Next day delivery service for emergency orders

Contact 01773 596 090 or [spares@glow-worm.co.uk](mailto:spares@glow-worm.co.uk)

## Literature

There are a number of easy ways for you to access

Glow-worm product literature:

- Via our installer app - Plumbing Toolbox
- Via telephone 01773 596 105
- Available to download online at [www.glow-worm.co.uk](http://www.glow-worm.co.uk)
- Via email [literature@glow-worm.co.uk](mailto:literature@glow-worm.co.uk)



Order product brochures for your homeowner customers





## Training

Glow-worm deliver courses designed with you in mind

Further develop your knowledge and practical skills relating to the installation, fault finding and servicing of Glow-worm's high efficiency boiler range, alongside understanding how Glow-worm can support you and your business.

- Practical, hands-on training delivered by fully qualified trainers
- 7 state of the art Centres of Excellence located around the UK
- Industry leading training delivered in a relaxed and informal environment
- Keep up to date with new technologies and industry regulations

To book onto training please call 01773 596 156 or email [training@glow-worm.co.uk](mailto:training@glow-worm.co.uk) or book using the Plumbing Toolbox App



## Courses offered

**Level 1 is our Installer course covering** - the Energy range, key features and benefits, how to install & commission, tools available to support installation and reduce paperwork, accessories and controls.

**Level 2 is our Expert course covering** - servicing, maintenance, advanced features of Energy including diagnostics, fault codes and supporting tools, tips and tricks to make the job easier.

We also offer training for our other boiler ranges and renewable products

To take advantage of our industry leading courses please call us on 01773 596 156 or email [training@glow-worm.co.uk](mailto:training@glow-worm.co.uk)



# clubenergy

The award winning installer loyalty program from Glow-worm

Enjoy great member benefits



**Cash Rewards**  
On Glow-worm purchases



**Free 5 year warranty**  
Option to increase to 7, 10 and 15 years



**Business Development**  
Free tools to grow your business



**VIP Events**  
Exclusive VIP events through Club Energy



**Training**  
Free training in state of the art facilities

## Plumbing Toolbox - The industry leading installer App for Club Energy members

Designed to make your working life easier!

This is the app for those who like everything in one place, whenever they need it, wherever they are... giving you more time and less hassle.



**Register your Installs**



**Merchant Locator**  
no more wild goose chases



**Fix that fault**  
quick and easy fault code identification



**Every manual**  
wherever you are, right there in your pocket



**Service Reminders**  
helping to keep you organised



To find out more about how you can benefit from Club Energy or to join free today visit [www.clubenergy.co.uk](http://www.clubenergy.co.uk) or call 0845 275 7018