

# TECHNICAL DATA SHEET

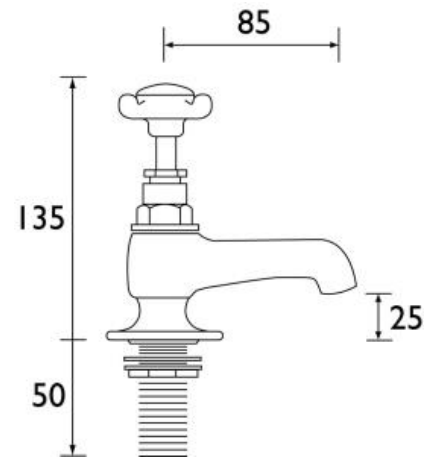
# BRISTAN

## 1901

### BATH TAPS

#### Product Specification

<b>Product Code:</b>	N ¼ C CD / N ¼ G CD
<b>Finishes:</b>	Chrome / Gold plated
<b>Product Type:</b>	Traditional
<b>Construction:</b>	Bodies are of all brass construction
<b>Valve Type:</b>	¼ Turn Ceramic Disc Valve
<b>Supply:</b>	Suitable for all plumbing systems
<b>Inlet Connections:</b>	¾" BSP
<b>Water Pressure:</b>	Min 0.2 bar, Max 8.0 bar



#### Additional Information

- Supplied with metal heads & metal backnuts
- Chrome plated to BS EN 248

**Technical Advice:** For further information please call 0844 7016273 or email [customercare@bristan.com](mailto:customercare@bristan.com)

**Guarantee:** 5 years covering manufacturing faults

#### Flow Rates (litres per minute)

System Pressure	0.2bar	0.3bar	0.4bar	0.5bar	1bar
1901 Bath Taps (Mixed)	32.5	39.0	45.3	50.6	72.7

Bristan, Birch Coppice Business Park, Dordon, Tamworth, B78 15G  
Telephone: 0844 701 6274 Facsimile: 0844 701 6275  
Web Site: [www.bristan.com](http://www.bristan.com) Email: [enquire@bristan.com](mailto:enquire@bristan.com)



The information contained on this page was correct at date of issue. Fitting dimensions are provided as a guide only. Some variation may occur due to manufacturing tolerances. Bristan pursues a policy of continuing improvement in design and performance of its products and so reserves the right to change specifications without prior notice.