



You can rely on

**POTTERTON**

# Potterton Gold. A track-record of reliability.

If it's consistent reliability you're after, install a Potterton Gold boiler – and help your customers enjoy energy efficient heating and cost savings, day after day.

With 150 years of engineering excellence and over 7 million Potterton boilers built and installed, we've learned a thing or two about reliability. We've won awards along the way too, with the Potterton Gold Combi 24 HE A picking up a 'Which? Best Buy' award for efficiency, ease of use and durability in 2010.

We're always looking to set new high standards. It's why we continually invest millions of pounds in research, design and manufacturing to create a range that's easy to install – and hard to beat. It's why we put our boilers through their paces, carrying out a rigorous testing programme on every single one to make sure they're fit for the job. And it's why the Potterton Gold range comes with added cost saving features and a 2 year parts and labour warranty\*, which is backed-up by **heateam**, our award winning customer support service ranked top in the heating sector and 7th best overall in the UK\*\*. All so we can give you – and your customers – every confidence, and complete peace of mind.

There's only one thing that matches our commitment to the reliability and performance of our models. And that's the support we'll give to you and your customers. From our easy to use website with access to help and advice, to 12 training centres and a wide range of courses – we're here to help you build your skills, your business and your reputation.

Go for Gold with the Potterton Gold range. There's nothing better than the warm feeling of satisfaction that comes from knowing you've achieved another personal best.

“Our original Potterton boiler has never let us down, so I had no hesitation in replacing it with another. When something is so reliable, why change?”

Ex-England football captain  
(and Potterton fan)

“I've been a Potterton installer for nearly 40 years. People ask for Potterton boilers by name, because they've had one and want another.”

Potterton Installer (with a Royal Warrant), Marlow



\*Subject to registration and an annual service.

\*\*Top 50 – Results from a recent UK study carried out by independent market research company GfK mystery shopping. National Customer Service – top in the Field Service category.



### Potterton Gold Combi HE A

With proven HE technology and robust components, this award-winning boiler will always perform to deliver optimum performance. 24kW, 28kW (& 28kW LPG) and 33kW.



### Potterton Gold System HE A

With state of the art design, this genuine and powerful all-rounder can perform in a variety of applications. 18kW, 24kW and 28kW.



### Potterton Gold H (Heat only)

It might weigh only 26kg, but this fully modulating wall-mounted boiler punches well above its weight. 15kW, 18kW and 24kW.



### Potterton Gold FSB 30 HE

A floor standing boiler designed to fit easily and quickly under a standard worktop, flexible enough for a wide range of installations. 30kW.



### Potterton Gold High Output

A lightweight high output boiler providing larger homes with the heating and hot water demand they require whilst maintaining optimum efficiency.



### Potterton Gold Electric Flow Boiler

Provides efficient electric wet central heating for use with conventional radiators or underfloor heating systems. 4kW, 6kW, 9kW, 11kW and 12kW models.



### Potterton Gold Cylinder

Specifically designed to work alongside our system and heat only boilers, the features on these unvented cylinders really give it the competitive edge. Available in 100, 120, 150, 170, 190, 210, 250 and 300 litre as Indirect, Direct and Solar models.



A series of illustrations providing a guide for each of the flue systems required for Potterton Gold products. Accessories page 25.



Help is always on hand thanks to our award winning back-up service **heateam**. Offering maintenance support, **heateam** has over 280 highly trained heating experts covering the UK.



To keep installers up-to-date with developments, Potterton offers a comprehensive range of courses through its nationwide network of 12 training centres.



Which? September 2010  
 'Best Buy' for efficiency,  
 ease of use and durability  
 Potterton Gold Combi 24 HE A  
 Also available in LPG



## Potterton Gold Combi HE A

Which? September 2010 'Best Buy' for efficiency, ease of use and durability – Potterton Gold Combi 24 HE A.

Compact and packed with added features, the wall-mounted Potterton Gold Combi HE A combines long-term reliability and ease of installation, with high efficiency and ultra-low emissions. Available in 24kW, 28kW (& 28kW LPG) and 33kW outputs, it can be sited in a wide range of locations.



SEDBUK Band A (>90%)  
 the highest energy  
 efficiency rating

Flue lengths up to 20m give  
 increased flexibility for siting

Can be situated in an  
 unventilated cupboard

Fitted clock

2 year warranty\*

Energy Saving  
 Trust recommended

### KEY FEATURES & BENEFITS



#### Greater reliability

Quality components, rigorous quality testing and our ongoing commitment to excellence all ensure we deliver the trademark 'Potterton' reliability.



#### Optimum performance

A built in pressure gauge allows for accurate central heating pressures, and makes for faster and more accurate commissioning of the system.



#### Easy to fit, even in difficult locations

Extensive flue options of up to 20 metres give greater fitting flexibility, while a filling loop (fitted as standard) allows for easier installation.



#### Suitable for a wide range of properties

Available in a variety of outputs, it's suitable for most homes.



#### Free parts – and total peace of mind

Our 2 year parts and labour warranty goes much further than just a guarantee.\*



#### 'Installer friendly'

The Potterton Gold Combi HE A comes supplied with a one piece pre-plumbing jig to give accurate alignment and allow first fix of system pipework (even without the boiler).

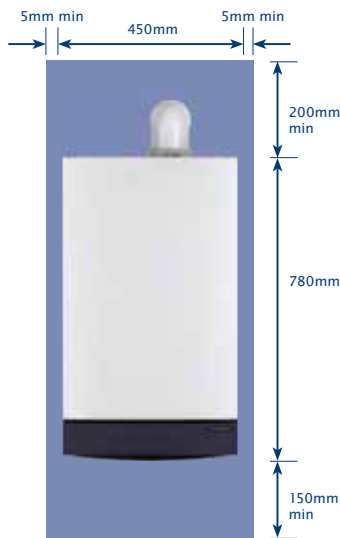


#### Consistent flow rates, and consistently high customer satisfaction

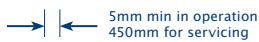
A reliable and proven Grundfos pump means greater comfort, and significantly less maintenance.

\*Subject to registration and an annual service.

# Technical Information – 24, 28, 28 LPG & 33



NB. Flue is offset to the right.



Gold Combi HE	Units	24kW	28kW	28kW LPG	33kW
Sales Code (Boiler only)		720207001	720207101	720519201	720207201
Sales Code (Std Flue) & Elbow 60/100		5118489	5118489	5118489	5118489
Sales Code (Boiler with Flue)		720217301	720217401	720519301	720217501
<b>Controls</b>					
Concealed User Controls		Yes	Yes	Yes	Yes
Operating Mode Selector Switch With Reset		Yes	Yes	Yes	Yes
User Adjustable DHW temperature		Yes	Yes	Yes	Yes
User Adjustable CH temperature		Yes	Yes	Yes	Yes
LCD Operating Status Display		Yes	Yes	Yes	Yes
LED Operating Status Display		Yes	Yes	Yes	Yes
Integral 24hr Electro-Mechanical Timer		Yes	Yes	Yes	Yes
Integral 7 day Electronic Timer		Optional	Optional	Optional	Optional
Single Channel Wireless Programmable Room Thermostat		Optional	Optional	Optional	Optional
<b>Gas</b>					
Natural Gas		Yes	Yes	No	Yes
LPG (Butane/Propane)		No	No	Yes	No
Inlet Supply Pressure	mbar	20	20	37	20
Maximum Gas Rate	m <sup>3</sup> /hr	2.61	3.1	2.25	3.6
Central Heating Input (max)	kW	22.7	27.4	27.4	32.1
Central Heating Output - Condensing (max)	kW	21	25.9	25.9	30.3
Central Heating Output - Non Condensing (max)	kW	20	24	24	28
Domestic Hot Water Input (max)	kW	27.4	32.1	32.1	37.7
Seasonal Efficiency	%	91.1	91.1	93.2	91.1
SEDBUK Rating	Band	A	A	A	A
NOx Class		5	5	5	5
<b>Electrical</b>					
Electrical Supply	Volts/Hz	230/50	230/50	230/50	230/50
Permanent Live Required		Yes	Yes	Yes	Yes
Power Consumption	watts	155	155	155	160
External Fuse Rating	amps	3	3	3	3
Integral 'Boiler Only' Frost Thermostat		Yes	Yes	Yes	Yes
<b>Mechanical</b>					
Wall Mounting Jig		Yes	Yes	Yes	Yes
Isolating Valves		Yes	Yes	Yes	Yes
Gas Supply Connection	mm	22	22	22	22
Central Heating Connections	mm	22	22	22	22
Domestic Hot Water Connections	mm	15	15	15	15
Condensate Drain Connection	mm	21.5	21.5	21.5	21.5
Safety Discharge Connection	mm	15	15	15	15
Filling Loop Kit		Yes	Yes	Yes	Yes
<b>Hydraulic</b>					
Domestic Hot Water Output (Raised 35°C) (max)	l/min	9.8	11.5	11.5	13.5
Domestic Hot Water Operating Flow Rate (min)	l/min	2**	2**	2**	2**
Domestic Hot Water Operating Pressure (min)	bar	0.15	0.15	0.15	0.15
Domestic Hot Water System Pressure (max)	bar	8	8	8	8
Safety Discharge Pressure	bar	3	3	3	3
Integral Automatic Bypass		Yes	Yes	Yes	Yes
Integral Expansion Vessel Capacity	litres	8	8	8	10
CH System Capacity (max)	litres	125	125	125	155
Compartment Ventilation Required		No	No	No	No
24hr Pump Exercise		Yes	Yes	Yes	Yes
Pump Overrun		Yes	Yes	Yes	Yes
<b>Concentric Flue Systems</b>					
Concentric Flue Diameters	mm	60/100 and 80/125			
Concentric Flue Length	mm	685	685	685	685
Max. Equivalent Vertical Length (Ø 60/100)	m	10	10	10	10
Max. Equivalent Vertical Length (Ø 80/125)	m	20	20	20	20
Max. Equivalent Horizontal Length (Ø 60/100)	m	10	10	10	10
Max. Equivalent Horizontal Length (Ø 80/125)	m	20	20	20	20
<b>Twin Flue System</b>					
Twin Pipe Flue Diameter	mm	80/80	80/80	80/80	80/80
Max. Equivalent Vertical Length	m	15	15	15	15
Max. Equivalent Horizontal Length	m	15	15	15	15
<b>Plume Displacement Kit</b>					
Max. Equivalent Vertical Length	m	13	13	13	8
<b>Weights</b>					
Gross Packaged Boiler Weight	kg	48.6	49.2	49.2	51
Packaged Boiler Dimensions (LxWxD)	mm	964 x 540 x 403			
Installation Lift Weight	kg	43.6	44.2	44.2	46

## Flue Options

The standard flue is suitable only for horizontal termination applications. Maximum permissible equivalent flue lengths are:

<b>Horizontal Concentric</b>	<b>10/20* metres</b>
<b>Vertical Concentric</b>	<b>10/20* metres</b>
<b>Horizontal/Vertical Twin Pipe</b>	<b>15 metres</b>

\*Depending on flue system used.

Any additional 'in line' bends in the flue system must be taken into consideration.

Their equivalent lengths are:

<b>Concentric Pipes:</b>	<b>135° bend</b>	<b>0.5 metres</b>
	<b>93° bend</b>	<b>1.0 metres</b>
<b>Twin Flue Pipe:</b>	<b>135° bend</b>	<b>0.25 metres</b>
	<b>90° bend</b>	<b>0.5 metres</b>

The elbow is now supplied with the flue system (not the appliance) and is not included in any equivalent length calculations. The Multifit flue illustrations show examples of permissible flue lengths. Instructions for guidance and fitting are included in each kit, where appropriate.

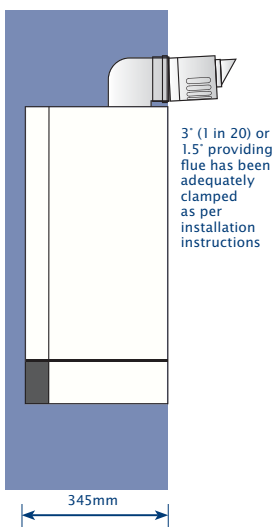
Potterton Gold Combi HE A can be fitted with the following flue systems:

Horizontal Concentric  
Flue System A  
Flue System G

Vertical Concentric  
Flue System A  
Flue System G

Twin Pipe  
Flue System N

Plume Displacement Kit  
Flue System K



\*\*Minimum flow rate 2.5 l/min when appliance used in conjunction with DHW flow restrictors.



## Potterton Gold System HE A

Offering a choice of outputs – 18kW, 24kW and 28kW – the Potterton Gold System HE A can meet the heating and hot water requirements of even the largest of properties – and all with the trademark ‘Potterton’ reliability.



SEDBUK Band A (>90%)  
the highest energy  
efficiency rating



Flue lengths up to 20m give  
increased flexibility for siting



Can be situated in an  
unventilated cupboard



Integral frost protection



2-year warranty\*



Energy Saving  
Trust recommended

## KEY FEATURES & BENEFITS



### Flexibility

Potterton Gold System HE A is available in three models, covering outputs from 18kW to 28kW. Extensive flue options also give you and homeowners greater siting choice and flexibility.



### Free parts – and total peace of mind

Our 2 year parts and labour warranty goes much further than just a guarantee.\*



### Easy to learn, easy to fit

A one piece pre-plumbing jig allows for quicker and easier installation, saving both time and installation costs.



### Better protection

A built in frost thermostat helps protect the boiler from freezing and damage, as well as opening up new site possibilities – such as in a garage or utility room.

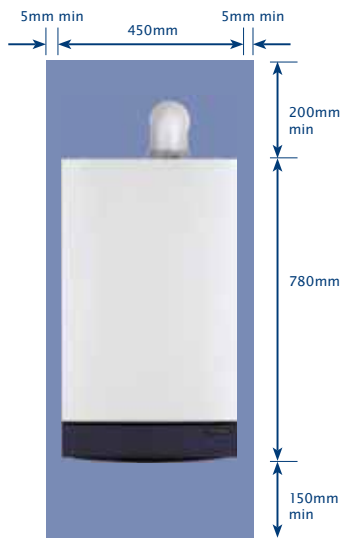


### Less heat waste, less time waste

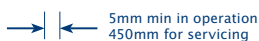
An integral system bypass means you don't need to spend precious time ensuring adequate heat loss.

\*Subject to registration and an annual service.

# Technical Information – 18, 24 & 28



NB. Flue is offset to the right.



Gold System HE	Units	18kW	24kW	28kW
Sales Code (Boiler only)		720518601	720518701	720518801
Sales Code (Std Flue) & Elbow 60/100		5118489	5118489	5118489
Sales Code (Boiler with Flue)		720518901	720519001	720519101
<b>Controls</b>				
Concealed User Controls		Yes	Yes	Yes
Operating Mode Selector Switch with Reset		Yes	Yes	Yes
User Adjustable CH Temperature		Yes	Yes	Yes
LCD Operating Status Display		Yes	Yes	Yes
LED Operating Status Display		Yes	Yes	Yes
<b>Gas</b>				
Gas (Natural Gas/LPG)		NG	NG	NG
Inlet Supply Pressure	mbar	20	20	20
Maximum Gas Rate	m <sup>3</sup> /hr	1.95	2.61	3.10
Central Heating Input (max)	kW	20.5	27.4	32.1
Central Heating Output - Condensing (max)	kW	19.4	25.9	30.3
Central Heating Output - Non Condensing (max)	kW	18	24	28
Seasonal Efficiency	%	91.2	91.2	91.2
SEDBUK Rating	Band	A	A	A
NOx Class		5	5	5
<b>Electrical</b>				
Electrical Supply	Volts/Hz	230/50	230/50	230/50
Permanent Live Required		Yes	Yes	Yes
Power Consumption	watts	140	150	160
External Fuse Rating	amps	3	3	3
Boiler IPX Rating (Electrical Protection)		IPX 5D	IPX 5D	IPX 5D
Integral 'Boiler Only' Frost Thermostat		Yes	Yes	Yes
<b>Mechanical</b>				
Wall Mounting Jig		Yes	Yes	Yes
Isolating Valves		Yes	Yes	Yes
Gas Supply Connection	mm	22	22	22
Central Heating Connections	mm	22	22	22
Condensate Drain Connection	mm	21.5	21.5	21.5
Safety Discharge Connection	mm	15	15	15
Filling Loop Kit		Yes	Yes	Yes
<b>Hydraulic</b>				
Integral Automatic Bypass		Yes	Yes	Yes
Integral Expansion Vessel Capacity	litres	8	8	10
CH System Capacity (max)	litres	125	125	125
Compartment Ventilation Required		No	No	No
24hr Pump Exercise		Yes	Yes	Yes
Pump Overrun		Yes	Yes	Yes
<b>Concentric Flue Systems</b>				
Concentric Flue Diameters	mm	60/100 and 80/125		
Concentric Flue Length	mm	685	685	685
Max. Equivalent Vertical Length (Ø 60/100)	m	10	10	10
Max. Equivalent Vertical Length (Ø 80/125)	m	20	20	20
Max. Equivalent Horizontal Length (Ø 60/100)	m	10	10	10
Max. Equivalent Horizontal Length (Ø 80/125)	m	20	20	20
<b>Twin Flue System</b>				
Twin Pipe Flue Diameter	mm	80/80	80/80	80/80
Max. Equivalent Vertical Length	m	15	15	15
Max. Equivalent Horizontal Length	m	15	15	15
<b>Plume Displacement Kit</b>				
Max. Equivalent Vertical Length	m	14	8	14
<b>Weights</b>				
Gross Packaged Boiler Weight	kg	43.6	44.2	46
Packaged Boiler Dimensions (LxWxD)	mm	964 x 540 x 403		
Installation Lift Weight	kg	38.6	39.2	41

## Flue Options

The standard flue is suitable only for horizontal termination applications. Maximum permissible equivalent flue lengths are:

<b>Horizontal Concentric</b>	<b>10/20* metres</b>
<b>Vertical Concentric</b>	<b>10/20* metres</b>
<b>Horizontal/Vertical Twin Pipe</b>	<b>15 metres</b>

\*Depending on flue system used.

Any additional 'in line' bends in the flue system must be taken into consideration.

Their equivalent lengths are:

<b>Concentric Pipes:</b>	<b>135° bend</b>	<b>0.5 metres</b>
	<b>93° bend</b>	<b>1.0 metres</b>
<b>Twin Flue Pipe:</b>	<b>135° bend</b>	<b>0.25 metres</b>
	<b>90° bend</b>	<b>0.5 metres</b>

The elbow is now supplied with the flue system (not the appliance) and is not included in any equivalent length calculations. The Multifit flue illustrations show examples of permissible flue lengths. Instructions for guidance and fitting are included in each kit, where appropriate.

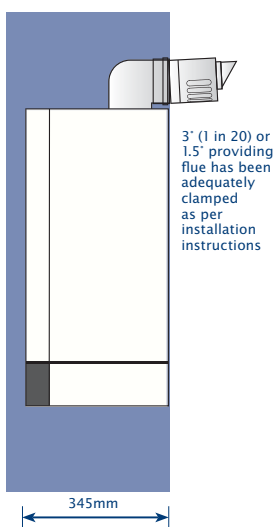
Potterton Gold System HE A can be fitted with the following flue systems:

Horizontal Concentric  
Flue System A  
Flue System G

Vertical Concentric  
Flue System A  
Flue System G

Twin Pipe  
Flue System N

Plume Displacement Kit  
Flue System K





Energy Saving  
Trust recommended

## Potterton Gold H (Heat Only)

Deceptively small but powerful and perfectly formed, Potterton Gold H is a fully modulating wall-mounted boiler available in 15kW, 18kW, 24kW outputs. Its slimline styling makes it ideally suited to installation in standard kitchen units. It's quick and easy to fit too.



SEDBUK Band A (>90%)  
the highest energy  
efficiency rating

Flue lengths up to 50m give  
increased flexibility for siting

Can be situated in an  
unventilated cupboard

2 year warranty\*

Energy Saving  
Trust recommended

## KEY FEATURES & BENEFITS



### Less mess

There's no wiring between the pump and boiler, saving time and damage to surroundings.



### Top efficiency rating – and energy performance

Rated SEDBUK Band A, it offers the very highest levels of efficiency.



### Easy to fit, even in difficult locations

Multi-directional flue options give solutions for on-site restrictions.



### Compact size for discrete siting

At 66mm x 390mm x 280mm, the Potterton Gold HE can fit within a kitchen wall unit.



### Free parts – and total peace of mind

Our 2 year parts and labour warranty goes much further than just a guarantee.\*



### Cost saving features as standard

Full modulation automatically regulates output, helping lower fuel consumption.



### Lightweight design, makes light work of installation

With a dry lift weight of 26kg, it's easy to move and manoeuvre.



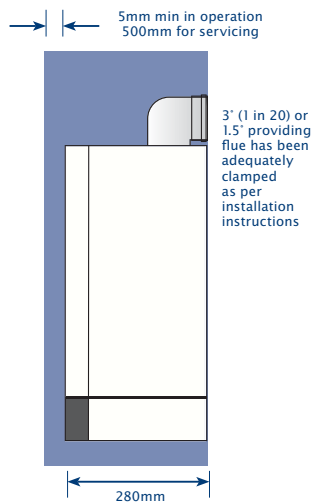
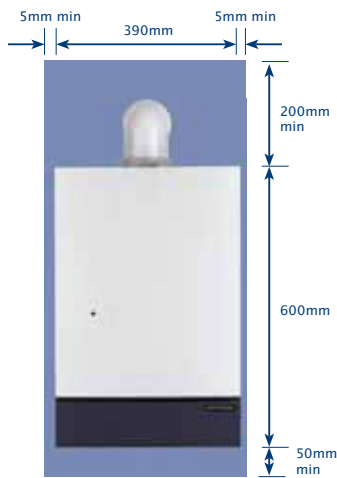
### Customer confidence

An Energy Saving Trust recommendation provides evidence of carbon saving and 'best in class' performance.

\*Subject to registration and an annual service.



# Technical Information – 15, 18 & 24



Gold H (Heat Only)	Units	15kW	18kW	24kW
Sales Code (Boiler only)		720512501	720512601	720512701
Sales Code (Std Flue)		236921	236921	236921
Sales Code (Boiler with Flue)		720518301	720518401	720518501
<b>Controls</b>				
Concealed User Controls		Yes	Yes	Yes
LED Operating Status Display		Yes	Yes	Yes
<b>Gas</b>				
Gas (Natural Gas/LPG)		NG	NG	NG
Inlet Supply Pressure	mbar	20	20	20
Maximum Gas Rate	m <sup>3</sup> /hr	1.64	1.94	2.31
Central Heating Input (max)	kW	16.9	20.2	24.5
Central Heating Output - Condensing (max)	kW	16.5	19.27	23.8
Central Heating Output - Non Condensing (max)	kW	15.2	17.8	22
Seasonal Efficiency	%	91.3	90.4	90.9
SEDBUK Rating	Band	A	A	A
NOx Class		5	5	5
<b>Electrical</b>				
Electrical Supply	Volts/Hz	230/50	230/50	230/50
Permanent Live Required		No	No	No
Power Consumption	watts	80	80	80
External Fuse Rating	amps	3	3	3
Boiler IPX Rating (Electrical Protection)		IPX2	IPX2	IPX2
Integral 'Boiler Only' Frost Thermostat		No	No	No
<b>Mechanical</b>				
Gas Supply Connection	inch	1/2" BSP	1/2" BSP	1/2" BSP
Central Heating Connections	mm	22	22	22
Condensate Drain Connection	mm	21.5	21.5	21.5
Upward Piping Route		Yes	Yes	Yes
<b>Hydraulic</b>				
Safety Discharge Pressure	bar	3	3	3
Compartment Ventilation Required		No	No	No
<b>Concentric Flue Systems</b>				
Concentric Flue Diameter	mm			
Concentric Flue Length	mm	800	800	800
Max. Equivalent Vertical Length (70/110)	m	4	4	4
Max. Equivalent Horizontal Length (70/110)	m	4	4	4
<b>Twin Flue System</b>				
Twin Pipe Flue Diameter	mm	80/80	80/80	80/80
Max. Equivalent Vertical Length	m	75	75	75
Max. Equivalent Horizontal Length	m	75	75	75
<b>Plume Displacement Kit</b>				
Max. Equivalent Vertical Length	m	29	29	29
<b>Weights</b>				
Gross Packaged Boiler Weight	kg	36.2	36.2	36.2
Packaged Boiler Dimensions (LxWxD)	mm		670 x 465 x 420	
Installation Lift Weight	kg	26	26	26

## Flue Options

The standard flue is suitable only for horizontal termination applications. Maximum permissible equivalent flue lengths are:

<b>Horizontal Concentric</b>	<b>4* metres</b>
<b>Vertical Concentric</b>	<b>4* metres</b>
<b>Horizontal/Vertical Twin Pipe</b>	<b>75 metres</b>

*\*Depending on flue system used.*

Any additional 'in line' bends in the flue system must be taken into consideration.

Their equivalent lengths are:

<b>Concentric Pipes:</b>	<b>135' bend</b>	<b>0.5 metres</b>
	<b>93' bend</b>	<b>1.0 metres</b>
<b>Twin Flue Pipe:</b>	<b>135' bend (Air Duct)</b>	<b>1.3 metres</b>
	<b>135' bend (Flue Duct)</b>	<b>2.6 metres</b>
	<b>91.5' bend (Air Duct)</b>	<b>4.8 metres</b>
	<b>90' bend (Flue Duct)</b>	<b>9.6 metres</b>

The elbow is now supplied with the flue system (not the appliance) and is not included in any equivalent length calculations. The Multifit flue illustrations show examples of permissible flue lengths. Instructions for guidance and fitting are included in each kit, where appropriate.

Potterton Gold H can be fitted with the following flue systems:

Horizontal Concentric Flue System B

Vertical Concentric Flue System B

Twin Pipe Flue System P

Plume Displacement Kit Flue System L



## Potterton Gold FSB 30 HE

A floor standing boiler with maximum flexibility, the Potterton Gold FSB 30 HE can be used with a range of fluing options, on fully pumped, open or sealed systems.



SEDBUK Band A (>90%)  
the highest energy  
efficiency rating



Integral frost protection



In-built condensate pump  
- can be situated in basement



Fully modulating



5 NO<sub>x</sub>  
Ultra-low NO emissions.  
Class 5 (the best)



2yr  
2 year warranty\*

## KEY FEATURES & BENEFITS



### One size fits all

Fully modulating from 9.2kW to 30.2kW it is suitable for a wide range of installations.



### Installer friendly

With built in frost protection and no compartment ventilation required, installation of this boiler is quick and easy.



### Versatility of siting

Small enough to fit under a standard worktop, an integral condensate pump and a comprehensive range of fluing options allows the boiler to be easily sited.



### Adaptable

Suitable for fully pumped open vented and sealed systems providing heating and hot water.

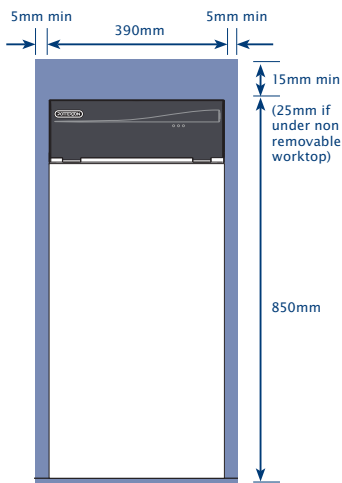


### Total peace of mind

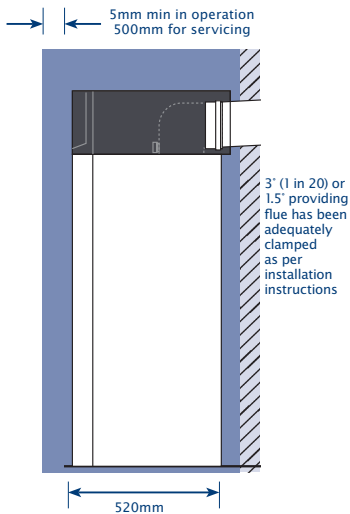
Our 2 year parts and labour warranty goes much further than just a guarantee\*.

\*Subject to registration and an annual service.

# Technical Information – 30



Potterton Gold FSB 30 HE	Units	30kW
Sales Code (Boiler only)		72080601
Sales Code (Std Flue)		236921
Sales Code (Boiler with Flue)		720890501
<b>Controls</b>		
Concealed User Controls		Yes
Operating Mode Selector Switch With Reset		Yes
User Adjustable CH Temperature		Yes
LED Operating Status Display		Yes
Integral 7 Day Twin Channel Timer		Options
<b>Gas</b>		
Gas (Natural Gas/LPG)		NG
Inlet Supply Pressure	mbar	20
Maximum Gas Rate	m <sup>3</sup> /hr	3.4
Max. Central Heating Input	kW	33.76
Min. Central Heating Input	kW	10.3
Max. Central Heating Output (non condensing)	kW	30.18
Min. Central Heating Output (non condensing)	kW	9.2
Max. Central Heating Output (condensing)	kW	32.61
Min. Central Heating Output (condensing)	kW	10
Seasonal Efficiency	%	90.9
SEDBUK Rating	Band	A
NOx Class		5
NOx Levels	Mg/kWhr	48
EcoHomes	Credits	2
<b>Electrical</b>		
Electrical Supply	Volts/Hz	230/50
Permanent Live Required		Yes
Power Consumption	Watts	80
External Fuse Rating	Amps	3
Integral 'Boiler Only' Frost Thermostat		Yes
<b>Mechanical</b>		
Gas Supply Connection	mm	15
Flow & Return Pipe Connection	mm	28
Condensate Drain Connection	mm	10
<b>Hydraulic</b>		
Safety Discharge Pressure	bar	3
Compartment Ventilation Required		No
<b>Concentric Flue Systems</b>		
Concentric Flue Diameter	mm	70/110
Concentric Flue Length	mm	850
Max. Equivalent Vertical Length (Ø 70/110)	m	4
Max. Equivalent Horizontal Length (Ø 70/110)	m	4
<b>Twin Flue System</b>		
Twin Pipe Flue Diameter	mm	80/80
Max. Equivalent Vertical Length	m	50
Max. Equivalent Horizontal Length	m	50
<b>Plume Displacement Kit</b>		
Max. Equivalent Vertical Length	m	22
<b>Weights</b>		
Gross Packaged Boiler Weight	kg	49.5



## Flue Options

### Concentric Flue

The maximum equivalent lengths are 4m (horizontal and vertical). These lengths exclude the standard elbow and flue/terminal assembly (horizontal) and terminal assembly (vertical).

### Twin Flue

The total maximum permissible equivalent flue length for calculation purposes is 150m, however in reality only 100m of physical flue pipe will be used, i.e. where air and flue pipes run parallel, the maximum permissible flue length per tube is 50m. Flue tubes should be counted as 2m and air tubes as 1m for this calculation.

Any additional 'in line' bends in the flue system must be taken into consideration.

Their equivalent lengths are:

<b>Concentric Pipes:</b>	<b>135° bend</b>	<b>0.5 metres</b>
	<b>93° bend</b>	<b>1.0 metres</b>
<b>Twin Flue Pipe:</b>	<b>135° bend (air/flue)</b>	<b>1.3/2.6 metres</b>
	<b>90° bend (air/flue)</b>	<b>4.8/9.6 metres</b>

The elbow is now supplied with the flue system (not the appliance) and is not included in any equivalent length calculations. Detailed examples of equivalent flue length calculations are given in the Installation Guidance Notes for each flue system type (Documents 243501 and 243502 for concentric and twin pipe respectively).

The Potterton Gold FSB 30 HE can be fitted with the following flue systems:

Horizontal Concentric Flue System B

Vertical Concentric Flue System B

Twin Pipe Flue System P

Plume Displacement Kit Flue System L



## Potterton Gold High Output

A lightweight, high output heating appliance. Low noise and easy to install, the Potterton Gold High Output is extremely energy efficient and uses the latest stainless steel heat exchanger technology in conjunction with a sophisticated control system that delivers maximum condensing performance. Potterton Gold High Output boilers are easy to maintain with excellent internal space for providing access to key components.

### KEY FEATURES & BENEFITS



#### Energy efficient

Using the very latest in technology the combustion system delivers exceptional energy efficiency exceeding Part L of the building regulations (seasonal efficiency 94%).



#### Intelligent thinking

Fully modulating burner control automatically adapts the boiler output to help lower fuel consumption, reducing annual fuel bills.



#### Fuel flexibility

Suitable for use with natural gas plus an optional conversion kit for LPG.



#### Sophisticated controls

User friendly display panel, versatile boiler controls and full onboard diagnostics allow the installer and homeowner complete control over their heating and hot water needs.



#### Customer comfort

Available with a wide range of accessories and a 2 year parts and labour warranty\*, the boiler is designed to deliver greater comfort to the homeowner.

The service team for this appliance can be contacted on 0845 070 1058

\*Subject to registration and an annual service.

# Technical Information – 46 & 65



Model High Output	Units	WH 46	WH 65
Sales Code (Boiler Only)		5103875	5103858
Sales Code (Std Flue)		5136146	
<b>Controls</b>			
User Adjustable CH temperature		Yes	
Integral 24 hr Time Control		Yes	
LCD Operating Statuses Display		Yes	
On Board Fault Diagnostics		Yes	
On Board Direct Weather Compensation		Optional	
On Board DHW Cylinder Time and Temperature Control		Optional	
Remote Programmable Room Temperature Control		Optional	
<b>Gas</b>			
Gas Consumption (NG)	m <sup>3</sup> /h	4.91	6
Gas Consumption (LPG)	m <sup>3</sup> /h	1.89	2.31
Max Gas Inlet Gas Pressure (NG)	mbar	20	20
Max Gas Inlet Gas Pressure (LPG)	mbar	37	37
Max Heat Input (Gross)	kW	51.5	62.9
Max Heat Output Condensing	kW	48.7	59.5
Reduced Heat Output Condensing	kW	15.8	16.8
Max Heat Output Non Condensing	kW	45	55
Reduced Heat Output Non Condensing	kW	14.5	15.5
Part L2 Seasonal Efficiency	%	94	94
Nox Class		5	5
Co2 for Natural Gas	%	8.7	8.7
Co2 for LPG	%	10	10
Max. Flue Gas Temperature	°C	74	75
Max. Flue Gas Flow Rate	kg/s	0.022	0.032
<b>Electrical</b>			
Permanent Live Required		Yes	Yes
Electrical Supply	Volts/Hz	230/50	230/50
Maximum Electrical Power Consumption	Watts	75	125
Protection Against Humidity And Water Leakage	-	IPX5D *	
Integral 'Boiler Only' Frost Protection		Yes	Yes
<b>Mechanical</b>			
Flow & Return Connection Size	BSP	1"	
Gas Connection Size	BSP	3/4"	
Condensate Drain Connection	mm	22	
<b>Hydraulic</b>			
Minimum Operating Pressure	bar	1	1
Maximum Operating Pressure	bar	4	4
Hydraulic Resistance @ 15°C Δt	Kpa	31.38	34.32
Hydraulic Resistance @ 20°C Δt	Kpa	11.7	20.6
Hydraulic Resistance @ 30°C Δt	Kpa	10.79	11.77
Water Flow Rate @ 15°C Δt	lit/sec	0.72	1.04
Water Flow Rate @ 20°C Δt	lit/sec	0.54	0.78
Water Flow Rate @ 30°C Δt	lit/sec	0.36	0.52
Maximum Flow Temperature	°C	85	85
Water Content	litres	5.1	6.5
Compartment B Ventilation Required		Yes	Yes
<b>Concentric Flue Systems</b>			
Concentric Flue Diameter	mm	80/125	80/125
Max. Equivalent Vertical Length	m	9	9
Max. Equivalent Horizontal Length	m	9	9
<b>Twin Pipe Systems</b>			
Twin Pipe Flue Diameter	mm	80	80
Max. Equivalent Length	m	14.5	14.5
<b>Weights</b>			
Boiler Dry Weight	kg	64	72
Gross Packaged Weight	kg	69	77

\*According to EN 60529

## Flue Options

The standard flue is suitable only for horizontal termination applications. Maximum permissible equivalent flue lengths are:

**Horizontal Concentric 9\* metres**  
**Vertical Concentric 9\* metres**

\*Depending on flue system used

Any additional 'In Line' bends in the flue system must be taken into consideration.

Their equivalent lengths are:

**Concentric Pipes: 135' 93' 0.5 Metres 1.0 metres**

Potterton Gold High Output can be fitted with the following flue systems:

Horizontal Concentric Flue System G

Vertical Concentric Flue System G

Twin Pipe Flue System P

## Optional Extras



**Low Loss Header** - provides hydraulic separation between the boiler (primary circuit) and the heating system (secondary circuit). This ensures any varying water flow through the heating system will have no effect on the primary boiler circuit and allows for a number of heating zones of different load and temperature requirements, with the boiler providing a constant temperature and water flow through the primary circuit. (Sales code 5103855)



**Remote Room Thermostat** - allowing simple temperature control. (Sales code 5116429)



**Boiler Sequence Controller** - wall mounted sequential controller, for up to 12 boilers in a cascade, complete with outside weather sensor for direct weather compensation. When using this product an additional clip-in interface will be required for each boiler in the cascade. (OCI 420 Sales code 5116431)



**Clip-in Interface** - for use with variable temperature heating circuits allows control of a second heating pump and 3-way mixing valve. (Sales code 5116430)



**Programmable Room Thermostat** - programmable up to 3 phases per day, holiday functions and frost protection. (Sales code 5116426)

### Additional options

Outside weather sensor for single boiler direct weather compensation. (Sales code 5104726)

Domestic hot water temperature sensor for use when hot water control is required using an indirect cylinder. (Sales code 5116436)



## The Potterton Gold Electric Flow Boiler

Designed to heat re-circulated water used in wet central heating systems. No flue or fuel tank makes the Potterton Gold Electric Flow Boiler 99.8% efficient. Available in 4kW, 6kW, 9kW, 11kW and 12kW models.



### KEY FEATURES & BENEFITS



#### Installation friendly

A lightweight design makes for easy handling, whilst compatible with standard radiators, programmers, pumps, room thermostats and thermostatic radiator valves – giving you hassle-free installation.



#### Low maintenance and long-life reliability

Solid state technology and the absence of moving parts ensure a longer service life, while our 2 year on-site parts and labour warranty\* gives added peace of mind. You don't even need an annual safety certificate!



#### Controllable efficiency

As well as a soft start and zero volt switching to help avoid power surges, min/max controls make it easy to adjust the water temperature output from the boiler, helping you get the most from wet central heating.



#### Easy to use

A front panel indication gives you an 'at a glance' reading for the boiler state.



#### Versatile

Suitable for both pressurised or open vented systems, it gives domestic hot water from the boiler in conjunction with either an indirect or separate direct cylinder.

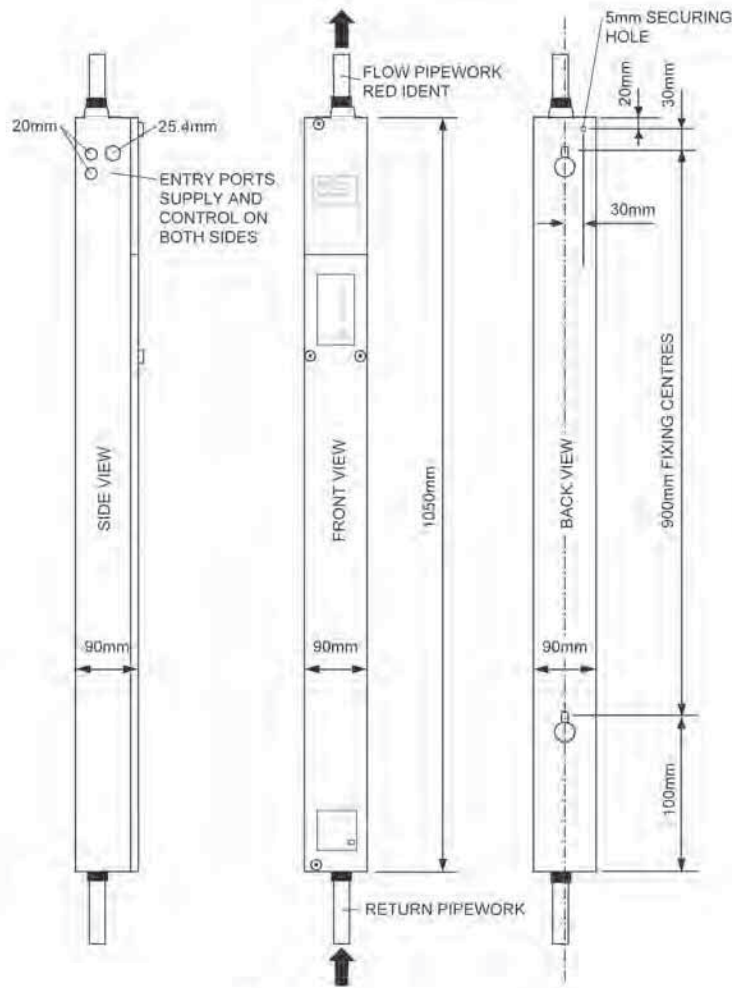


#### Compact and discreet

Sleek and 'slim-fit' in construction, it also runs silently – so you'll hardly know it's there.

\*Subject to registration and an annual service.

# Technical Information – 4, 6, 9, 11 & 12

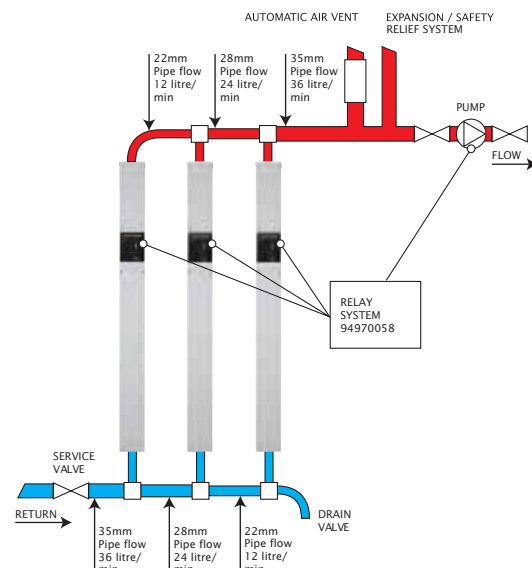


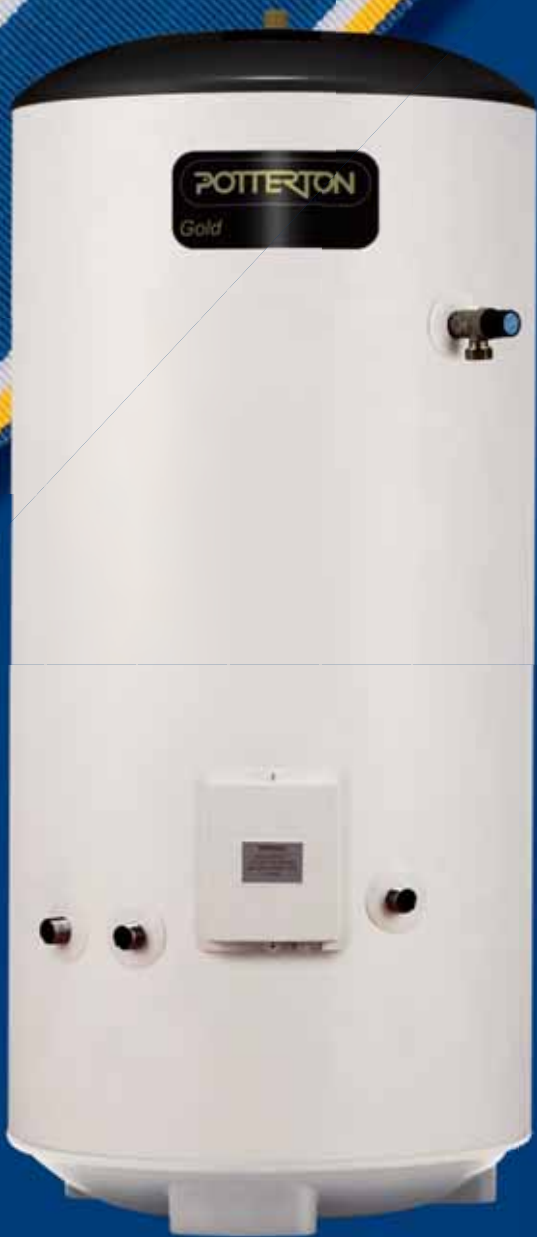
## Specifications & dimensions

<b>Output temperature control range:</b>	<b>(Radiator)</b>	65°C to 80°C	<b>Optical isolation</b>	Between the control signals and the boiler supply
	<b>(Underfloor)</b>	30°C to 60°C	<b>Over temperature trips</b>	95 and 100°C
<b>Operating voltage</b>		200V - 245V 50Hz	<b>Water content</b>	1.3 litres
<b>Pump supply fuse (internal)</b>		T 2A 240V - 20x5mm.		
<b>'RUN' control input signal requires</b>		200V - 245V 50Hz		
<b>'RUN' control input signal draws less than 0.25A</b>		10mA typical		

Model	Boiler Output		
	Model	220v/Btu	240v/Btu
94022008	4kW	3.5kW/11,900	4kW/13,600
94022004	6kW	5kW/17,000	6kW/20,400
94022005	9kW	7.5kW/25,600	9kW/30,700
94022006	11kW	9kW/30,700	11kW/37,500
94022007	12kW	10kW/34,000	12kW/40,900

Model	Part No.	Description	Comment
RL1	94970056	1 relay assembly	Suitable for linking an electrical shower with the boiler to ensure that both do not run at the same time preventing overloading of the electrical supply
RL2	94970057	2 relay assembly	2x boiler pump isolation relay suitable for boilers being connected on single phase or 3 phase supplies
RL3	94970058	3 relay assembly	3x boiler pump isolation relay suitable for boilers being connected on single phase or 3 phase supplies





## The Potterton Gold Cylinder

Easy to fit and specifically designed to complement our boilers, the Potterton Gold range of unvented cylinders uses the latest technology and materials to deliver great performance, year after year. Kiwa approved and rigorously tested, it's available in 100, 120, 150, 170, 190, 210, 250 and 300 litre models – so whatever the job, there's a cylinder to suit. The range includes indirect, direct and solar models.



### FEATURES & BENEFITS



#### Durable and reliable

Potterton Gold cylinders have a stainless steel inner vessel. The outer casing is a white thermoplastic coating, which helps protect against corrosion and prolongs life expectancy.



#### Easy to install

Potterton Gold cylinders have a clean and simple design, with all the controls and connections at the front of the cylinder. This means they're just as simple to install and maintain. Solar models are compatible with a wide range of UK solar systems.



#### Energy efficient

All cylinders are insulated with a 50mm layer of polyurethane foam (CFC free), giving enhanced heat loss performance. The in-built coil heat exchanger in indirect models guarantees rapid heat recovery and greater efficiency. Direct models are fitted with a minimum of one 3kW immersion heater as standard with up to two on large capacities. The solar range ensures up to 60% of a home's hot water requirements can be provided by solar energy.



#### Free parts – and total peace of mind

Our 1 year parts and labour warranty goes much further than just a guarantee. We're also offering a further 9 years\* for the stainless steel inner vessel. During this 9 year period, in the event of a leak from the vessel, a replacement product will be issued.

\*subject to registration

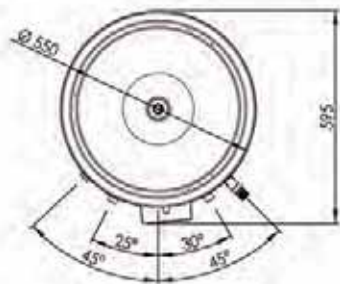
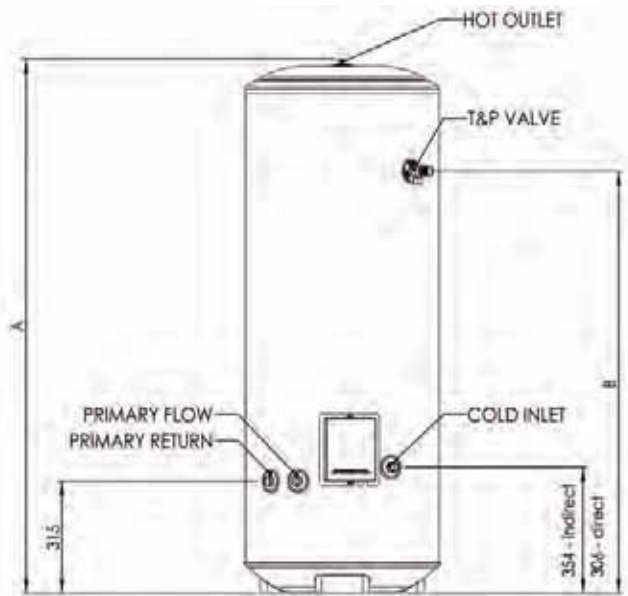


## The range

Suitable for use in domestic and commercial applications, both in new build and refurbishment schemes.

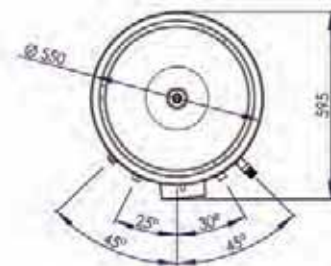
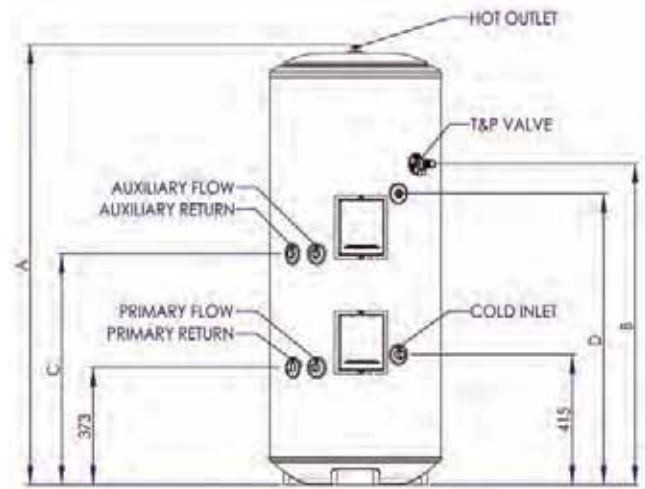
### Indirect and direct

Nominal capacity (Litres)	Type		Dimensions	
	Direct	Indirect	A	B
100	▪		807	493
100		▪	807	493
120	▪		930	615
120		▪	930	615
150	▪		1114	800
150		▪	1114	800
170	▪		1240	925
170		▪	1240	925
210	▪		1498	1184
210		▪	1498	1184
250	▪		1752	1378
250		▪	1752	1378
300	▪		2067	1693
300		▪	2067	1693



### Solar indirect

Nominal capacity (Litres)	Dimensions			
	A	B	C	D
190	1398	1019	734	925
210	1499	1184	1011	1095
250	1751	1391	1142	1258
300	2065	1715	1439	1574



## Performance guide

The Potterton Gold range of unvented hot water cylinders offers fast re-heat performance and good flow rates.



Model (litres)	Primary Flow (litres/min@ 80°C + /-2°C)	Heat Up Time from Cold through 45°C (mins)	Hot Water Draw-off	Capacity Available as Hot Water (%)	Coil Output (kW)	Sales Code
----------------	---	--	--------------------	-------------------------------------	------------------	------------

### Indirect

Using Primary Heating Coil						
100	15	26	93.5	93.5	11.2	94050240
120	15	29	104	87	12.5	94050241
150	15	37	138.5	92	12.5	94050242
170	15	35	156.5	92	15	94050243
210	15	43	196	93	15	94050244
250	15	43	227	91	18	94050245
300	15	49	242.5	81	19	94050246

### Direct

Using Element Only						
100	N/A	99	93.5	87	N/A	94050247
120	N/A	121	104	87	N/A	94050248
150	N/A	152	138.5	92	N/A	94050249
170	N/A	173	156.5	92	N/A	94050250
210	N/A	215	196	93	N/A	94050251
250	N/A	257	227	91	N/A	94050252
300	N/A	310	242.5	81	N/A	94050253



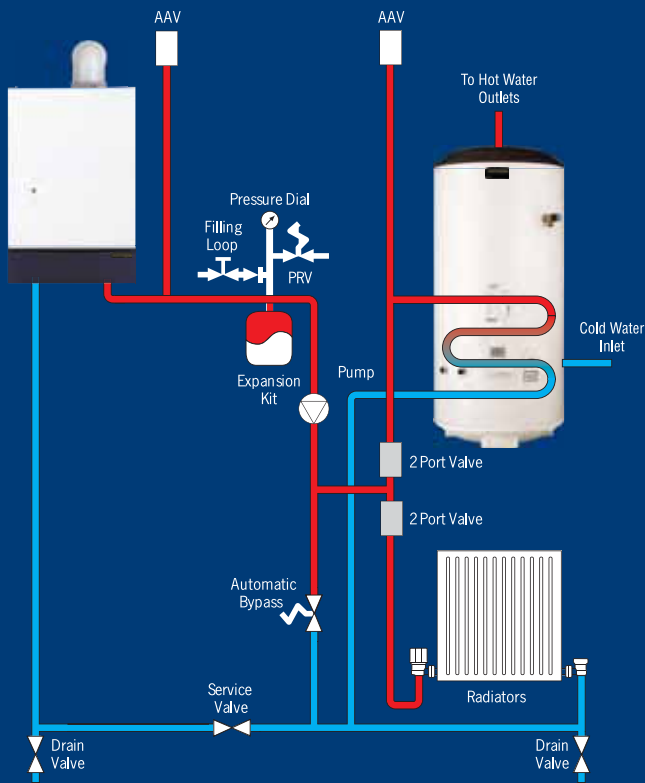
Model (litres)	Primary Flow (litres/min@ 80°C + /-2°C)	Heat Up Time from Cold through 45°C (mins)	Total Solar Heated Capacity	Auxilliary Top Up Hot Water Capacity	Coil Output (kW)	Sales Code
----------------	---	--	-----------------------------	--------------------------------------	------------------	------------

Solar Indirect

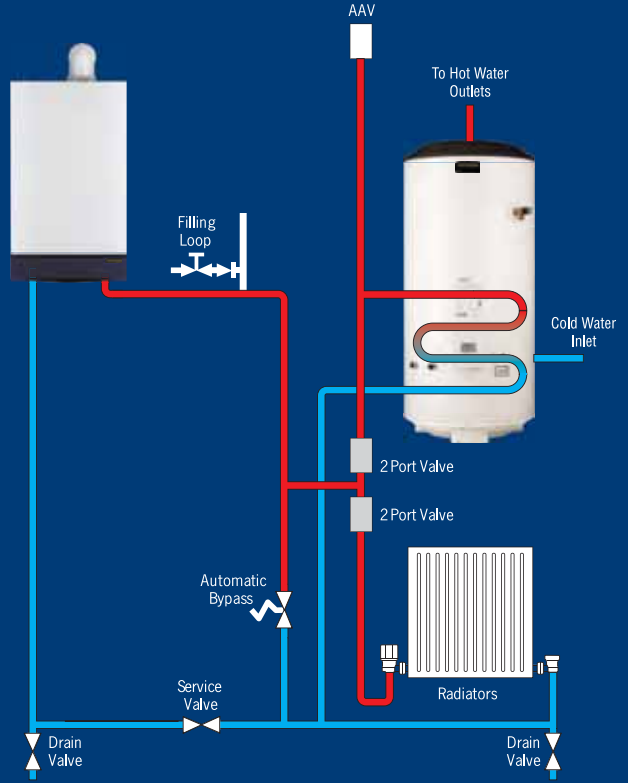
Using Primary Heating Coil						
190	15	32	190	120	11.9	94050254
210	15	25	210	120	15.2	94050255
250	15	30	250	145	15.2	94050256
300	15	32	300	175	17.4	94050257

# Installation guide

## Heat only boiler & indirect cylinder



## System gas boiler & indirect cylinder



Units must be installed by a competent installer in accordance with Local Regulations:

England & Wales – Building Regulation G3.

Scotland – Technical Standards P3.

N. Ireland – Building Regulation P5.

### Fixing

Feet on bottom moulding for floor mounting.

### Plumbing Connections

Inlet/outlet, 22mm compression fittings /  $\frac{3}{4}$ " BSP parallel thread.

### Indirect Coil

22mm compression fittings /  $\frac{3}{4}$ " BSP parallel thread.

### Solar Coil

25mm diameter stainless steel coil.

### Element

Long-life Incoloy 825 sheathed element incorporated into an easily removable heater plate should replacement be necessary. Rated 3kW @ 240V.

### Thermostat

Element thermostat adjustable for 10°C to 70°C.

### Temperature and Pressure Relief Valve

15mm compression outlet. Factory set to operate at 10 bar and 90°C. High limit thermostat, factory set to 80°C.

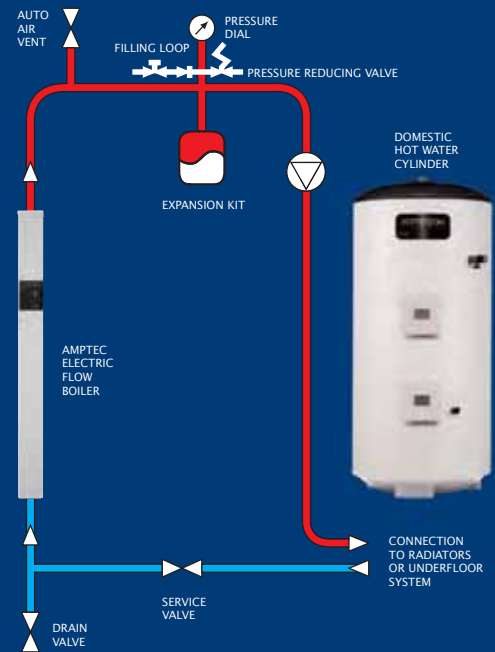
### Cold Water Control

Integrated cold water control set comprising pressure reducing valve and strainer – factory set at 3.5 bar, expansion relief valve – factory set at 6 bar and check valve. 22mm compression fittings.

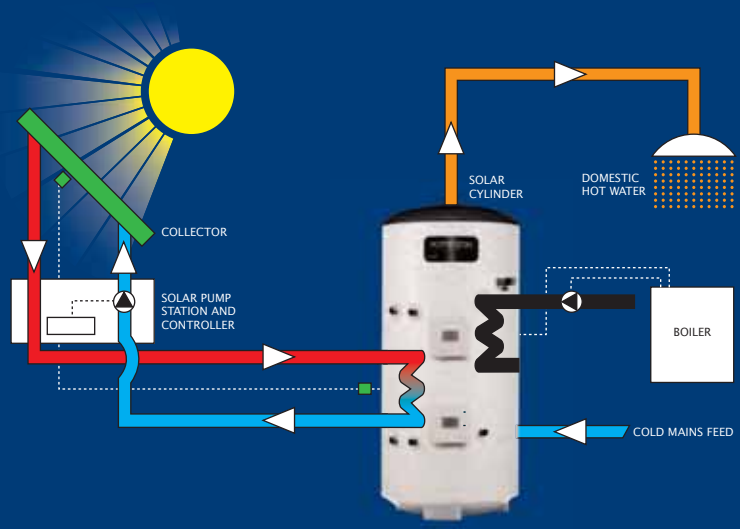
### Mains Pressure

Min 1.0 bar, max 16 bar. With indirect models a 2-port motorised valve is supplied.

### Heat only electric boiler & direct cylinder



### Solar thermal system with heat only gas boiler & indirect solar cylinder



#### Flow Rates

Up to 55 litres per minute @ 6 bar pressure.

#### Operating Pressure

3.5 bar.

#### Expansion Relief Valve Pressure

6.0 bar.

#### Operating Temperature

Recommended 60°C. Adjustable 10 – 70°C.

#### Water Expansion

Indirect remote expansion vessel – 12 litre vessel supplied with 100, 120 and 150 litre models. 18 litre vessel supplied with 170 and 210 litre models. 25 litre vessel supplied with 250 and 300 litre models. Solar indirect remote expansion vessel. 18 litre supplied with 190 and 210 litre models. 25 litre supplied with 250 and 300 litre models.

#### Minimum Water Supply Requirements

Recommended minimum supply pressure – 1.5 bar/20 l/min flow rate.

If there are any doubts about water supply pressure or flow rates, please contact our Specification Advice Team to discuss.

#### Secondary Circulation

Via 22 x 22 x 15mm swept tee, which should be fitted to the inlet pipework. Not recommended for direct models used on off-peak electricity tariffs.

#### Pressure Testing

Units are tested to 15 bar.

#### Compatible Boilers

Electric, gas or oil fired – open vent or sealed system type, fitted with integral control thermostat and cut-out.

#### Tundish

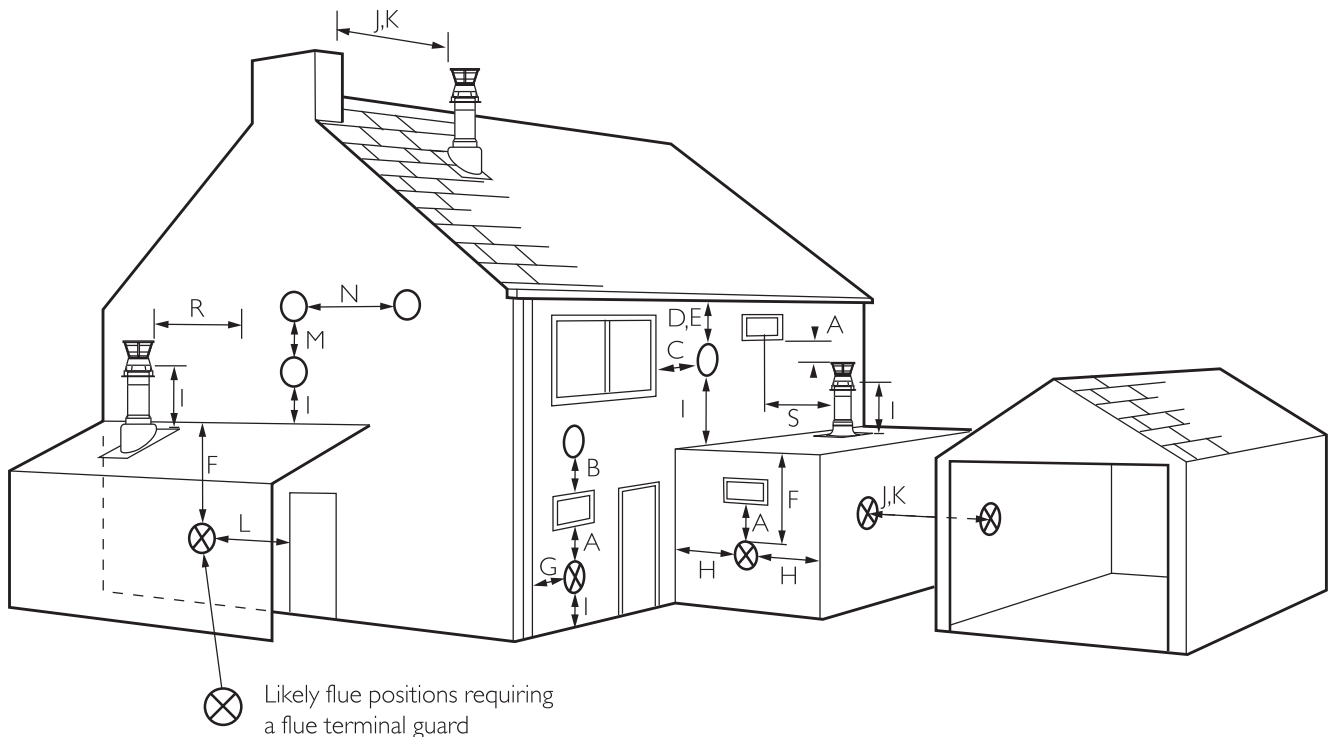
15mm compression inlet and 22mm compression outlet.

# Multifit Flue Illustrations

To make sure our boilers are easy to fit, we've developed 'Multifit' – a unique range of fully compatible flue components. Working across the Potterton Gold range, they help ensure trouble-free installation, whatever the task. The following illustrations show you what's available, and how they can help.

**Please note:** Potterton products are no longer supplied with a flue elbow in the boiler packaging.

Terminal Position with Minimum Distance		(mm)
A*	Directly below an opening, air brick, opening windows etc.	300
B*	Above an opening, air brick, opening window etc.	300
C*	Horizontally to an opening, air brick, opening window etc.	300
D†	Below gutters, soil pipes or drain pipes.	150
E†	Below eaves.	200
F†	Below balconies or carport roof.	200
G†	From a vertical drain pipe or soil pipe.	150



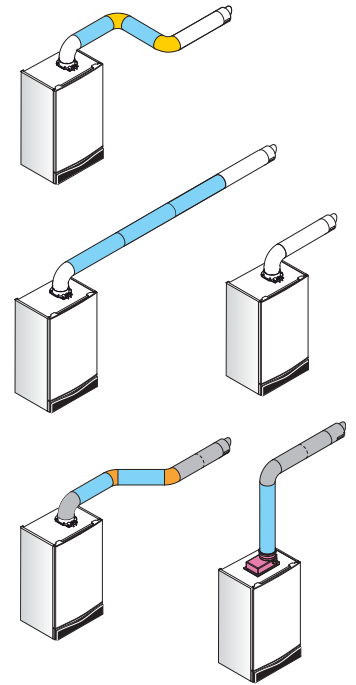
\*In addition, the terminal should be no nearer than 150mm to an opening in the building fabric formed for the purpose of accommodating a built-in element such as a window frame. See BS 5440 Pt1.

**'Reduced clearances'** This range of boilers has been tested and approved for use with certain clearances less than those shown. Horizontal flues in positions D, E, F, G & H(i) may be reduced to 25mm. H(ii) may only be reduced to 115mm. **Only one of these reductions may be used on a single installation.**

H†	From an internal (i) or external (ii) corner.	300
I	Above ground, roof or balcony level.	300
J	From a surface or boundary line facing a terminal.	600
K	From a terminal facing a terminal (horizontal flue).	1200
K	From a terminal facing a terminal (vertical flue).	600
L	From an opening in carport (e.g. door, window) into the dwelling.	1200
M	Vertically from a terminal on the same wall.	1500
N	Horizontally from a terminal on the same wall.	300
R	From adjacent wall to flue (vertical only).	300
S	From an adjacent opening window (vertical only).	1000

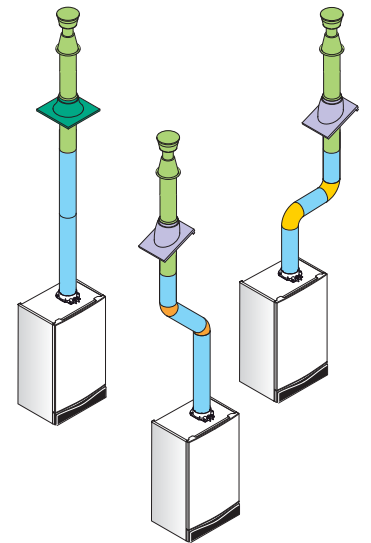
## Horizontal Concentric Flues 60/100mm Flue System A

Item Description Flue System A	Specification	KEY & OD Dimensions	Sales Code
Standard Horizontal Flue inc Elbow	685mm	60/100mm	5118489
Standard Horizontal Telescopic Flue inc Elbow	315-500mm	60/100mm	5118069
Telescopic Internal Flue Kit			5119654
Flue Extension	1000mm	100mm	5111074
Flue Bend (Pair)	135 degree	100mm	5111085
Flue Bend	135 degree	100mm	5111076
Flue Bend	93 degree	100mm	5111075
Flue Wall Liner			5111067
Flue Terminal Deflector			5111068
Pipe Support	Painted white		5111080



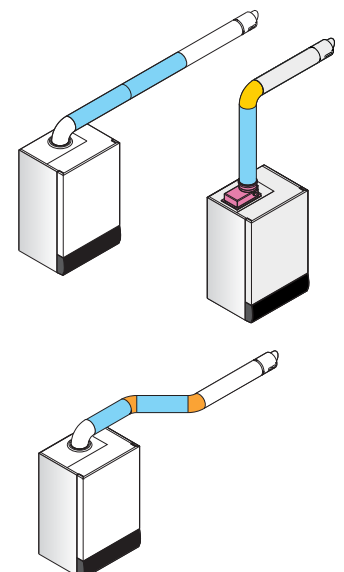
## Vertical Concentric Flues 60/100mm Flue System A

Item Description Flue System A	Specification	KEY & OD Dimensions	Sales Code
Vertical Flue Terminal		100mm	5118576
Roof Cover Plate		125mm	246143
Flue Extension	1000mm	100mm	5111074
Flue Bend	93 degree	100mm	5111075
Flue Bend (Pair)	135 degree	100mm	5111085
Flue Bend	135 degree	100mm	5111076
Pipe Support	Painted white		5111080
Pitched Roof Flashing	25/50 degree	125mm	5122151
Flue Vertical Adaptor (Boiler)		125mm	246144

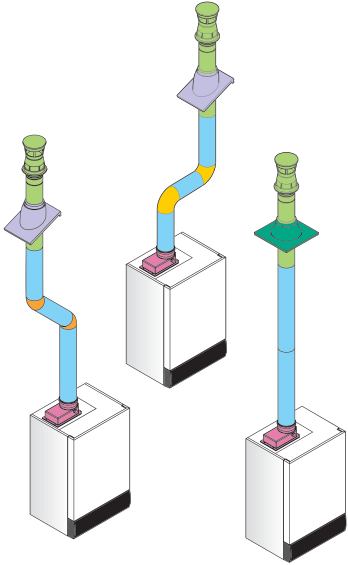


## Horizontal Concentric Flues 70/110mm Flue System B

Item Description Flue System B	Specification	KEY & OD Dimensions	Sales Code
Standard Horizontal Flue inc Elbow	850mm	110mm	236921
Horizontal Flue / Wall Terminal	850mm	110mm	243013BAX
Flue Extension	1000mm	110mm	241695
Flue Extension	500mm	110mm	241694
Flue Extension	250mm	110mm	241692
Flue Bend	90 degree	110mm	241687
Flue Bend (Pair)	135 degree	110mm	241689
Flue Terminal Deflector			248167
Vertical Flue Adaptor (Boiler)		110mm	5106888
Pipe Support	Painted White		243014BAX

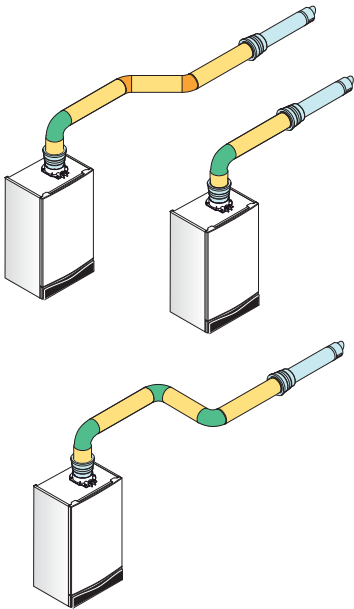


## Vertical Concentric Flues 70/110mm Flue System B



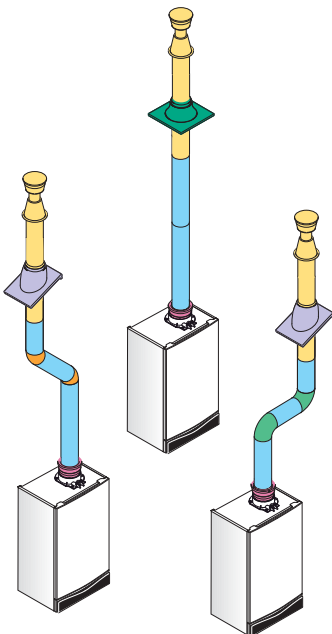
Item Description Flue System B	Specification	Key & OD Dimensions	Sales Code
Vertical Roof Terminal		70/110mm	242802
Flue Extension	1000mm	110mm	241695
Flue Extension	500mm	110mm	241694
Flue Extension	250mm	110mm	241692
Flue Bend	90 degree	110mm	241687
Flue Bend (Pair)	135 degree	110mm	241689
Roof Cover Plate			243131
Pipe Support	Painted White	110mm	243014BAX
Flat Roof Flashing		125mm	243016BAX
Pitched Roof Flashing	25 / 50 degree	125mm	243015
Vertical Flue Adaptor (Boiler)		110mm	5106888

## Horizontal Concentric Flues 80/125mm Flue System G



Item Description Flue System G	Specification	Key & OD Dimensions	Sales Code
Horizontal Flue inc Boiler & Terminal Adaptors	Adaptor narrows to 110mm for the terminal	125mm	5118580
Horizontal Flue Terminal inc 91.5 degree flue bend	Potterton Gold High Output only	125mm	5136146
Flue Extension	1000mm	125mm	5118584
Flue Bend	91.5 degree	125mm	5118588
Flue Bend (Pair)	135 degree	125mm	5118597
Pipe Support	For use with 125mm Flue Pipes	125mm	5118610

## Vertical Concentric Flues 80/125mm Flue System G

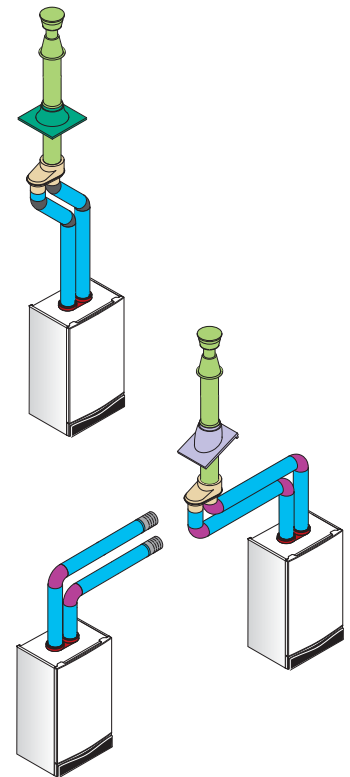


Item Description Flue System G	Specification	Key & OD Dimensions	Sales Code
Vertical Flue Terminal		125mm	5111078
Flue Extension	1000mm	125mm	5118584
Flue Bend	91.5 degree	125mm	5118588
Flue Bend (Pair)	135 degree	125mm	5118597
Roof Cover Plate		125mm	246143
Flue Vertical Adaptor		100/125mm	5111070
Pitched Roof Flashing	25 / 50 degree	125mm	5122151
Flat Roof Flashing		125mm	246144
Pipe Support	For use with 125mm Flue Pipes	125mm	5118610



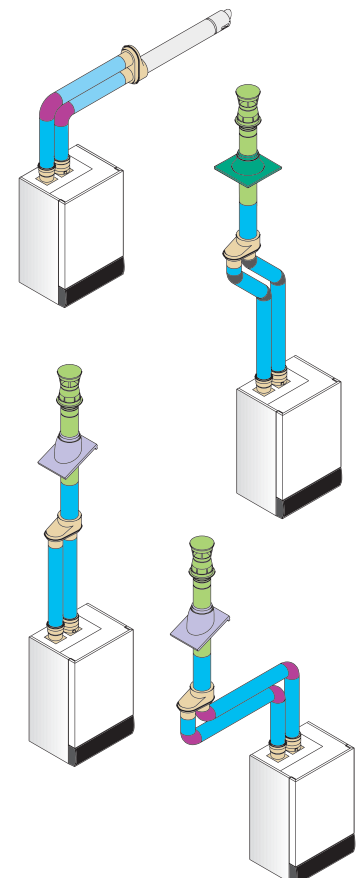
## Twin Pipe Flues 80/80mm Flue System N

Item Description Flue System N	Specification	Key & OD Dimensions	Sales Code
Vertical Flue Terminal		125mm	5111078
Twin Pipe Extension (Pair inc Brackets)	1000mm	80mm	5111087
Twin Pipe Flue Bend (Pair)	90 degree	80mm	5111072
Twin Pipe Flue Bend (2 Pair)	135 degree	80mm	5111086
Roof Cover Plate		125mm	246143
Twin Pipe Flue Horizontal Terminal Kit (Pair)		80mm	5120172
Twin Pipe Support (Pair)	Painted White	80mm	5111081
Twin to Concentric Adaptor 80/80 - 80/125		80/125mm	5111084
Pitched Roof Flashing	25 / 50 degree	125mm	5122151
Flat Roof Flashing		125mm	246144
Twin Pipe Flue Adaptor (Boiler)		80mm	720089801

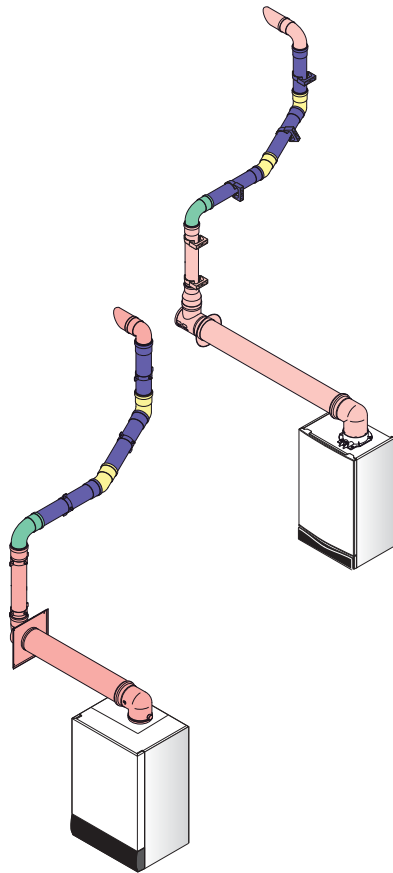


## Twin Pipe Flues 80/80mm Flue System P

Item Description Flue System P	Specification	Key & OD Dimensions	Sales Code
Horizontal Flue Terminal	850mm	110mm	243013BAX
Vertical Roof Terminal		70/110mm	242802
Twin Pipe Flue Extension	1000mm	80mm	246137
Twin Pipe Flue Extension	500mm	80mm	246136
Twin Pipe Flue Extension	250mm	80mm	246135
Twin Pipe Flue Bend (2 Pair)	135 degree	80mm	5121561
Twin Pipe Flue Bend (Pair)	90 degree	80mm	5121560
Twin Pipe Support (Pair)	Painted White	80mm	5111081
Pipe Support	Painted White	110mm	243014BAX
Pitched Roof Flashing	25 / 50 degree	125mm	243015
Flat Roof Flashing		125mm	243016BAX
Twin Pipe Flue Adaptor Set		80/80mm	242757
Flue Terminal Deflector			248167
Roof Cover Plate			243131



## Plume Displacement 60/100mm Concentric to 60mm PDK – Flue System K



Item Description Flue System K	Specification	Key & OD Dimensions	Sales Code
Plume Displacement Kit inc Elbow & Clips		100mm	5118638
Plume Displacement Kit Extension inc Clip	1000mm	60mm	5121368
Plume Displacement Kit Bend	93 degree	60mm	5121369
Plume Displacement Kit Bend (Pair)	135 degree	60mm	5121370

## Plume Displacement 70/100mm Concentric to 70mm PDK – Flue System L

Item Description Flue System L	Specification	Key & OD Dimensions	Sales Code
Plume Displacement Kit inc Elbow & Clips		110mm	5121371
Plume Displacement Kit Extension inc Clip	1000mm	70mm	5121372
Plume Displacement Kit Bend	93 degree	70mm	5121373
Plume Displacement Kit Bend (Pair)	135 degree	70mm	5121374

## Optional Accessories



### Electronic Timer

Giving you maximum versatility, this sophisticated but simple to use timer lets you programme the system over a 7 day period. Offering a full selection of on/off switching operations, it features an advanced switch programme and easy to read digital LCD display.



### Wireless Timer Room Thermostat

As easy to fit as it is to use, this programmable room thermostat brings greater control (and cost savings), while minimising issues of compliance with Building Regulations Part L (Energy Conservation) and Part P (Electrical Safety).



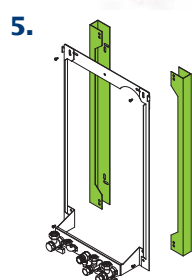
### Multifit GasSaver

A flue gas recovery device designed to sit between the boiler and flue. The GasSaver recycles the heat from the flue gases which would normally be expelled into the atmosphere to preheat DHW.



### Fernox Gold Filter

The Fernox Gold Filter is an in-line filter, which combines hydrocyclonic action with specially designed magnet assemblies, to remove magnetic and non-magnetic contaminants from system water and contain them safely within the filter.



Item Description	Specification	Key	Sales Code
1 Integral 7 Day Electronic Timer	Combi Boilers only	Image 1	247207
2 Wireless Timer Room Thermostat	Combi Boilers only	Image 2	5117392
3 Multifit GasSaver	Combi Boilers only	Image 3	720056901
4 Fernox Gold Filter 22mm Fernox Gold Filter 28mm	Hydrocyclonic and Magnetic In-line Filter	Image 4	59982 59983
5 Stand Off Kit 40mm	Combi and System Boilers only	Image 5	5117035

# A new 'Gold standard' in service

**heateam** is Potterton's very own service division. With us on your side, you can be sure that your customers are in the very best hands. Totally committed to quality and safety, **heateam** is open 7 days a week, for 363 days a year, and offers:

- For the last 2 years **heateam** has been named as one of the UK's Top 50 Call Centres for Customer Service following the UK's biggest ever call centre benchmarking exercise. Each call centre was rated, using over 50 criteria including, timeliness, ease of use, reliability, staff knowledge, personal service and awarded a customer service rating.

This prestigious award demonstrates **heateam's** dedication to outstanding customer service.

- A priority Trade Technical Advice line to installers registered with the Gas Safe Register (formerly CORGI).
- Dedicated expertise on all Potterton products. Our helpful and qualified specialists are always on hand to help you with even the most complex technical query.
- A nationwide fleet of vans, fully stocked with official Potterton spare parts – meaning we can repair our appliances on the first visit in 95% of call-outs.
- 280 engineers cover the UK.



For more information about our range of after sales services, please visit us at [www.heateam.co.uk](http://www.heateam.co.uk)

Alternatively, you can call us on **0844 871 1560**



## Winner: heateam

Ranked top for Customer Service in the heating sector and 7th best overall in the UK.\*

# heateam

\*Top 50 – Results from a recent UK study carried out by independent market research company GfK mystery shopping. National Customer Service – top in the Field Service category.



## Dedicated coaching and training for you

Achieve your personal best

We want our installers to feel fully equipped, and totally confident in their work. That means doing our best, to help you do yours. At our comfortable and well-equipped training centres, you'll find the latest training on all Potterton products, as well as other vital topics, including energy efficiency and electronics... to name just a few!

Our centres are based in the following locations: Belfast, Coalville, Dartford, Eastleigh, Glasgow, Liskeard, Peterlee, Romford, Stockton-on-Tees, Treforest, Warrington and Warwick.

For more information, or to book a place on a Potterton training course, call **0845 600 7402**



## Benchmark

Measuring performance

We are committed to the Benchmark Code of Practice. Managed and promoted by the Heating and Hot Water Industry Council (HHIC). It sets out standards for all installers and manufacturers, and aims to ensure:

- That customers are given the correct equipment for their needs.
- That equipment is installed, commissioned and serviced by competent persons in accordance with the manufacturers' instructions.
- That it meets the requirements of the appropriate Building Regulations.

A 'Benchmark Checklist' is available, which can be used to demonstrate compliance with Building Regulations, and which should be provided to the customer for future reference. For more information about this scheme, please visit

[www.centralheating.co.uk](http://www.centralheating.co.uk)



You can rely on

**POTTERTON**

General enquiries

Tel: 0844 871 1560

Please note

Calls to the contact centre may be recorded or monitored for training purposes.

Potterton

Brooks House, Coventry Road, Warwick CV34 4LL.

Website: [www.pottertongold.co.uk](http://www.pottertongold.co.uk)

## PART OF BDR THERMEA

Potterton policy is one of continual improvement and development. The right to change specification and appearance without prior notice is reserved. The reproduction of colours is as accurate as photographic and printing processes allow. The consumer's statutory rights are not affected. e&oe.

PottGold/V3/Aug11/376096/04



This brochure is printed on paper sourced from well managed forests and other controlled sources. This brochure is printed using vegetable based inks. Please recycle this brochure when you have finished with it.

