

Instructions for Use, Installation and Servicing

Climastat

Room Thermostat



Customer Service: 01773 828100
Technical Helpline: 01773 828300
General and Sales enquiries: Tel. 01773 824639
 Fax: 01773 820569

These instructions consist of, Instructions for Use, Installation, Servicing and Fault Finding. The instructions are an integral part of the appliance and must, to comply with the current issue of the Gas Safety (Installation and Use) Regulations, be handed to the user on completion of the installation.

CONTENTS	DESCRIPTION	SECTION
General Information	General	1
	Documents	1
	Appliancation	1
	Servicing	1
	Recycling	1
Instructions for Use	Setting knob description	2
	Setting the room temperature	2
	Setting the domestic hot water	2
User Fault Finding and Frost Protection	Fault finding	3
	Frost protection	3
Installer Important Information	Appliance location	4
	Safety instructions and regulations	4
	Regulations	4
	Technical data	4
Installation and Servicing	Climastat Room Thermostat installation	5
	Fixing to the wall	5
	Electrical connection	5
Commissioning	Adjustment	6
	Control / Commissioning	6
	User information	6

1 General Information

General

Climastat is a room thermostat that gives you personalised heating comfort according to your needs and enhances the energy efficiency of your heating system. The modulating regulation built into this thermostat changes the temperature of the radiators to suit the desired ambient temperature.

Documents

Please keep these instructions as well as any documents enclosed with it, safe for future reference.

We accept no liability in case of damage due to the non-compliance of these instructions.

Application

The Climastat room thermostat controls a heating appliance depending on the room temperature.

Any other use is considered as inappropriate and is forbidden.

The manufacturer shall not be responsible for any damage caused by another use. In that case the user shall be responsible.

Servicing

Clean the case of the Climastat with damp soapy cloth.

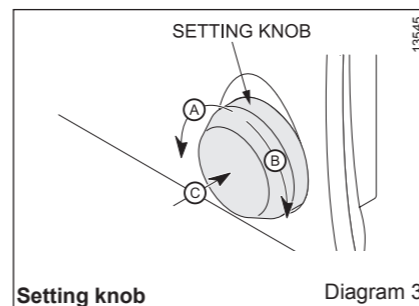
Make sure that no water goes inside the Climastat.

Do not use any abrasive cleaning products as they could damage the housing or plastic case.

Recycling

The Climastat comprises many recyclable parts.

The packaging, the Climastat and the content of the package shall not be thrown together with domestic waste but disposed of according to the current regulations.



Setting knob

Diagram 3

Setting knob description

Turn setting knob anti-clockwise (A) to adjust setting downward.

Turn setting knob clockwise (B) to adjust setting upward.

To access or confirm a setting, press the knob (C).

Setting the room temperature

Turn the setting knob to adjust to the desired room temperature once and the set temperature will flash.

Setting the temperature (°C)	
minimum	5
recommended	20
maximum	30

The setting is saved automatically after 5 seconds and the main screen is displayed.

Setting the domestic hot water temperature (for combination boilers only)

Press the setting knob.

Turn the setting knob once to adjust to desired hot water temperature and the set temperature will flash. Press the knob again to confirm the new temperature or the setting is saved automatically after 5 seconds. The set temperature flashes.

Setting the temperature (°C)	
minimum	38
recommended	60
maximum	65

3 User Fault Finding and Frost Protection

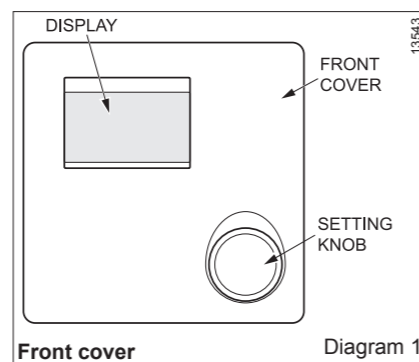
Fault finding

In the event of an anomaly, the Climastat displays error messages on the display.

Warning:

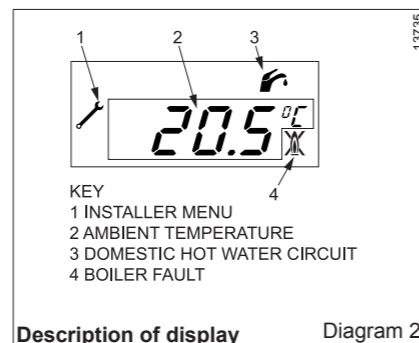
Never try to service or repair the Climastat by yourself and only start the Climastat once a skilled professional has repaired the fault.

2 Instructions for Use



Front cover

Diagram 1



Description of display

Diagram 2

KEY
 1 INSTALLER MENU
 2 AMBIENT TEMPERATURE
 3 DOMESTIC HOT WATER CIRCUIT
 4 BOILER FAULT

Frost protection

The frost protection system activates the boiler when the ambient temperature in the room where the Climastat is installed falls below 3°C. The outside temperature falls below 5°C (protection possible only if an outside sensor is connected to the boiler).

If you leave home for a long period, consult the boiler manual.

Fault	Cause	Corrective action
The display is off	Power failure	Check the mains power supply is on and that the boiler is switched on at the spur or socket. The Climastat starts automatically once the power supply is on. If the fault persists. Please call your Installation/Servicing company or Glow-worm service.
Err	Communication error between the boiler and Climastat	Please call your Installation/Servicing company or Glow-worm service.
	Boiler fault	Refer to the fault finding procedures contained in the literature supplied with boiler.

4 Installer Important Information

Appliance location

Do not install the Climastat above another appliance that could damage it, for example, above a cooker that might emit steam or grease or in a room, which has a lot of dust in the atmosphere which is corrosive.

The Climastat must be installed in a room protected from freezing temperatures. Take the necessary precautions.

Install the Climastat in such a manner so as to guarantee optimum measurement of the ambient temperature by positioning it on an inside wall in the main room of the house, approximately 1.5 metres from the ground. Do not install the Climastat near heat sources such as radiators, televisions, sunlight, on cold walls, between furniture, behind curtains, or other objects that could effect measurement of ambient air temperature in the room. Do not install close to draughts of air that could come from doors or windows.

Explain these requirements to the home owner.

Safety instructions and regulations

This Climastat is tested and certificated for safety and performance. It is, therefore, important that no alteration is made to the Climastat, without permission, in writing, from Glow-worm.

Any alteration not approved by Glow-worm, could invalidate the certification, appliance warranty and may also infringe the current issue of the statutory requirements.

Warning:

Incorrect installation can cause electric shock or appliance damage. Protect all the electrical components from water when you carry out any work.

Regulations

When installing and commissioning the control, the regulations below shall be observed in their current version.

The electrical installation must be installed by a **competent person** and in accordance with the relevant standards.

All wiring to current I.E.E. wiring regulations.

In GB, this is BS 7671.

In IE, this is the current edition of ETCI rules.

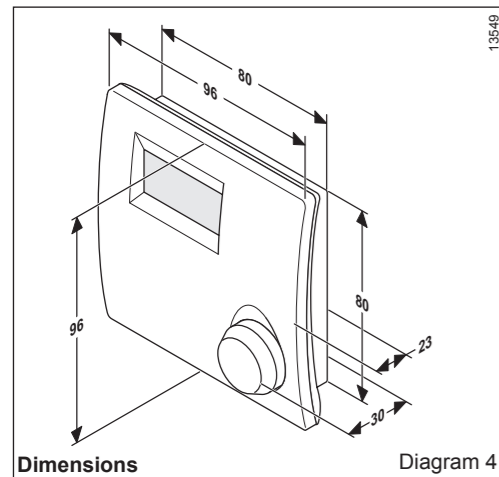
Where no specific instructions are given, reference should be made to the relevant British Standard Code of Practice.

Where no British Standard exists, materials and equipment should be fit for their purpose and of suitable quality and workmanship.

The installation of this appliance must be carried out by a **competent person** in accordance with the rules in force in the countries of destination. Manufacturer's instructions must not be taken as overriding statutory requirements.

Technical data

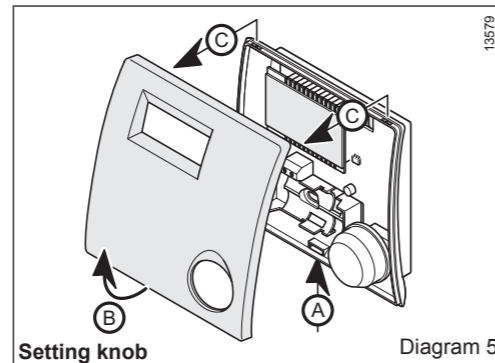
Description	Unit	
Max room temperature in the room where the control is installed	°C	50
Dimensions:		
Height	mm	96
Width	mm	96
Depth	mm	30
Supply voltage	V	24
Current consumption	mA	≤17
Min diameter of electrical connection cables	mm ²	2 x 0.75
Max. length of electrical connection cables	m	300
Electrical protection		IP20
Electrical category		III



5 Installation and Servicing

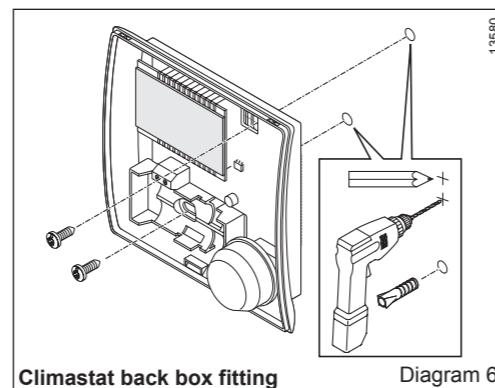
Climastat Room Thermostat installation

Remove the front cover from the Climastat respecting the order of operations (A) to (C), refer to diagram 5.



Fixing to the wall

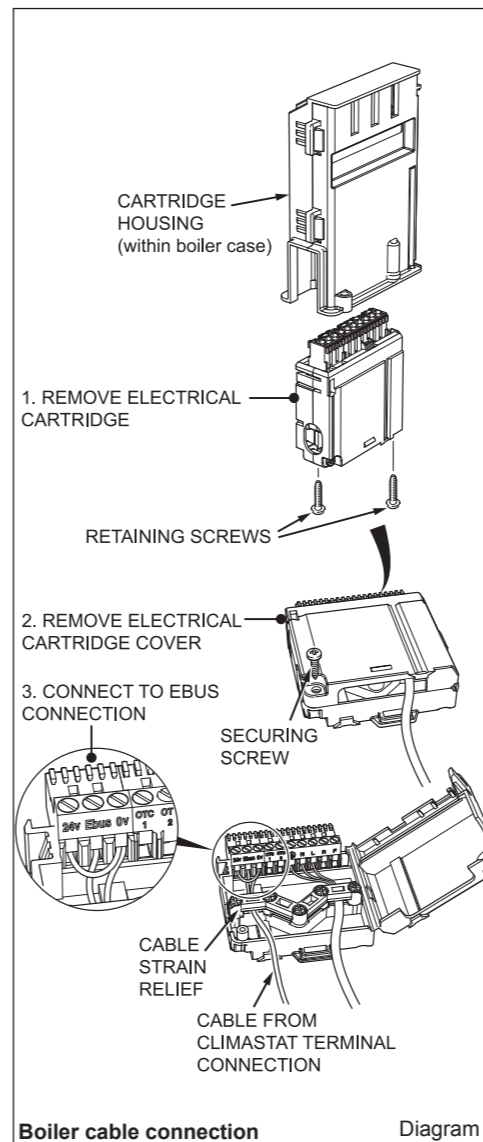
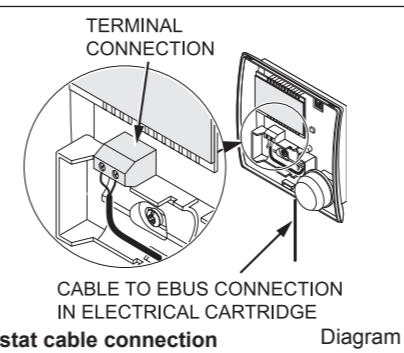
Fit the Climastat back box to the wall, refer to diagram 6. Choose the location of the Climastat. See section "Appliance location".



Electrical connection

Warning: Isolate the boiler from the electrical supply. A skilled professional should make the electrical connections. Use a 2 core connection cable that complies with the specifications given in ("Technical data").

Important: If the cable is greater than 10 metres, separately insulate EBUS and high voltage cables to avoid electrical interference. Route the cable between the Climastat room thermostat and the electrical cartridge on the boiler. Connect the cable to the terminal connection in the Climastat. Polarity is not important, refer to diagram 7. Connect the cable to the EBUS connection in the electrical cartridge at the boiler. Polarity is not important, refer to diagram 8.



6 Commissioning

IMPORTANT

- As supplied the operating mode of this control is ON/OFF as per a conventional room thermostat (the boiler will modulate to achieve the flow temperature selected on the boiler as per conventional boiler operation).
- The modulating operating mode must be selected before this control will modulate the temperatures of the radiators to achieve the room temperature set point.
- The modulating operating mode must not be selected if this control is used with a heating only appliance that heats DHW via an external cylinder/store.

Put the boiler into operation.

Installation Menu Adjustments

1. Press the setting knob for 10 seconds to access the setting menu.
2. When "0" appears, turn the setting knob up to "96" on the display.
3. Confirm by pressing the setting knob.

N.B. If outdoor sensor is attached, the menu option "1" is not available.

If outdoor sensor is not attached, menu option "2" is not available.

When first menu "1" appears, press knob to select menu "2".

Press the setting knob to go to next menu (see table 1).

The settings in both menus can be changed by turning the knob.

To confirm all settings, press setting knob for 5 seconds.

The display will return to normal setting after 1 minute or after pressing the setting knob for 5 seconds.

Menu	Title	Action / Information
1	Selecting appliance mode	Choose a value : 0 = non modulating ▶ On/Off mode (factory setting) Utilises user defined flow temp setpoint, NOT factory default, if different. 1 = modulating ▶ automatic calculation of the heating setting. Note: Must NOT be put in modulating mode if used on heating only appliance that indirectly heats domestic hot water via an external cylinder/store.
2	Selecting the heating curve (*)	Choose a value between 0.2 and 4. (factory setting : 1.2) Refer to the manual for the outside sensor connected to the boiler to carry out this adjustment. Comment: the adjustments made to the outside sensor on the boiler will no longer be active.

If outdoor sensor is attached, menu option "1" is not available.
If outdoor sensor is not attached, menu option "2" is not available.

Table 1

Control / Commissioning

Start the Climastat according to the indications of the operating instructions and check whether it runs.

Check the whole control and safety devices, their setting and their operation.

User information

Explain to the user the Climastat operating principles and demonstrate.

Look at the operating instructions together and answer any questions.

Give the user all the manuals and documents concerning the appliance and tell the user to keep them near the Climastat / Boiler.