

# LOGIC CODE COMBI ES.

26 33 38

HIGH EFFICIENCY COMBINATION BOILERS



## RELIABLE

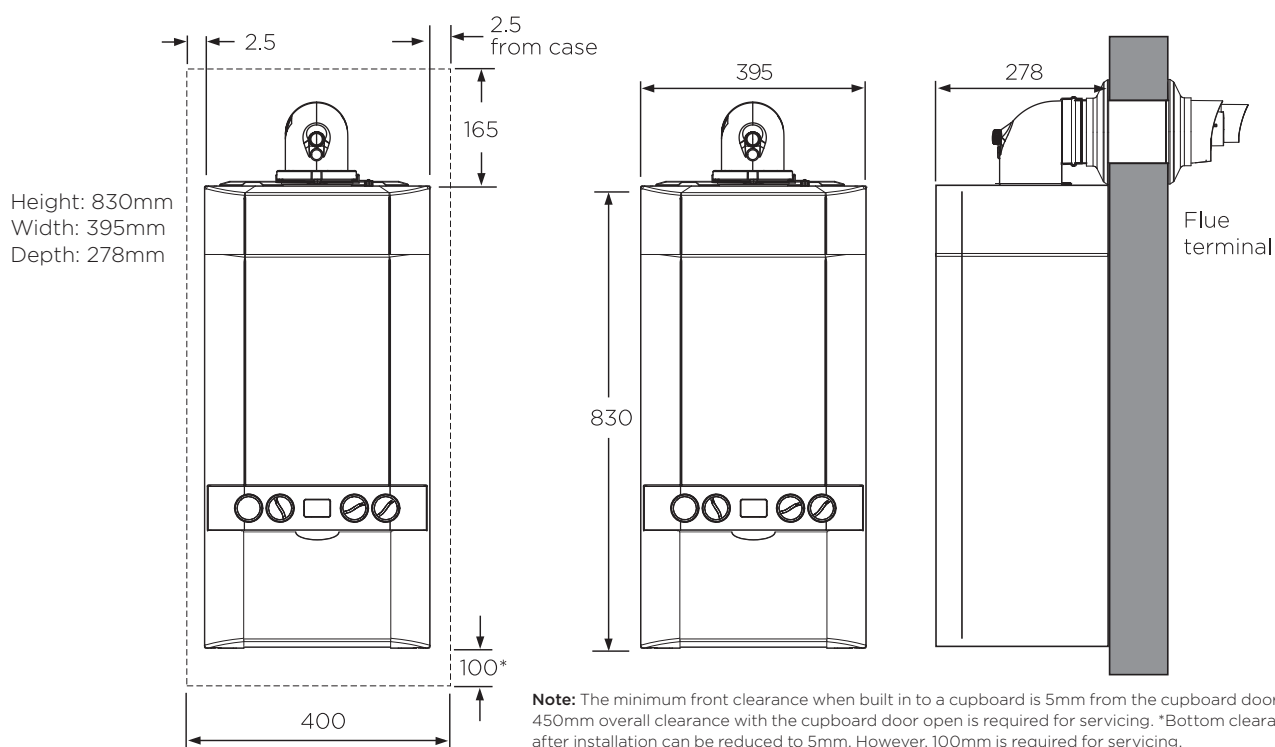
- Energy Saving Trust endorsed product
- 2 year parts and labour warranty
- High DHW efficiency - reduced running costs
- Less waste DHW water as DHW inlet is preheated
- Reduced plumbing on DHW
- Complete range of Logic combination boilers for new build developers
- Achieves optimum SAP and DER ratings for standard combination boiler usage
- Higher DHW flow rates than standard boiler - approximately 10% increase
- ErP compliant

## EASY TO INSTALL

- One single appliance to install - quick and easy
- Built-in pipework; no extra space at the side of the product needed
- Standard combination connections
- No additional maintenance requirement
- Compact and light solution for new build or retrofit installations



# CLEARANCES & DIMENSIONS.



# TECHNICAL SPECIFICATIONS.

	CODE COMBI ES 26	CODE COMBI ES 33	CODE COMBI ES 38
Weight (packaged) kg	39.5	39.7	39.7
Max installation weight kg	34.7	34.9	34.9
CH output (kW) Min/Max @ 70°C	4.8 - 24.2	6.1 - 24.2	7.1 - 24.2
CH output (kW) Min/Max @ 40°C	5.1 - 25.6	6.4 - 25.6	7.5 - 25.6
DHW output (kW) Max	26.1	32.7	38.2
DHW flow rate l/min. 35°C rise	10.7	13.4	15.7
SEDBUK rating (2005)	91	91.1	91
SEDBUK rating (2009)	89.0	89.0	88.9
NOx classification	CLASS 5	CLASS 5	CLASS 5
Adjustable to LPG	No	No	Yes
Max horizontal flue*	9m	8m	6m
Max vertical flue*	7.5m	7.5m	7.5m
Powered vertical flue†	22m	22m	22m
Condensing boiler	Yes	Yes	Yes
Seasonal space heating efficiency class	A	A	A
Rated heat output kW	24	24	24
Seasonal space heating energy efficiency $\eta_{son}$ %	93	93	93
Sound power level, indoors L <sub>WA</sub> dB	45	45	44
Water heating energy efficiency class	A	A	A

Multiple flue kits available.

\* Each 90° elbow used is at the expense of 1000mm of straight flue run, and each 45° elbow is used at the expense of 600mm of straight flue run.

† Typical combined primary and secondary length. See installation instructions for more details. Note: The Flue Deflector Kit is used at the expense of 1000mm of straight flue run.