

Your questions answered

- Q. Where can I fit *MagnaClean Micro*?
- A. *MagnaClean Micro* is suitable for all smaller scale central heating systems comprising up to seven radiators and can be fitted anywhere on the main circuit. In order to achieve the best protection for the boiler, it is recommended that *MagnaClean Micro* is fitted between the last radiator and the boiler. In determining a suitable location for installation, it is important to ensure you allow adequate access for servicing.
- Q. Which connection on the *MagnaClean Micro* canister is the flow and which is the return?
- A. The bottom inlet is the flow, with the arrow pointing into the canister. The top is the return with the arrow pointing away from the canister. There is no flow restriction.
- Q. Can I fit *MagnaClean Micro* horizontally?
- A. *MagnaClean Micro* is designed to be fitted vertically. Each isolation valve can rotate through 360°. The copper pipe provided makes it possible to fit vertically on any pipe configuration. Please refer to the Installation and Servicing Instructions.
- Q. How often do I service *MagnaClean Micro*?
- A. *MagnaClean Micro* has been designed to capture on average a year's worth of magnetic and non-magnetic debris within a smaller scale central heating system comprising up to seven radiators. This means that servicing need only be carried out once a year with the annual boiler service. If the system has a heavy sludge build-up, or a power-flush was not carried out, we recommend cleaning *MagnaClean Micro* at appropriate intervals during the first year of installation and annually thereafter.
- Q. Can I use chemicals with *MagnaClean Micro*?
- A. Yes. You can use any chemical or acid agents on the market with *MagnaClean Micro*. The patented Pro-Fill air vent has been designed to allow installers to insert chemicals directly into the system as described in the Installation and Servicing pages. Chemical dosing kits for this purpose are available to purchase through your local plumbing merchant. Alternatively, remove the lid and use the canister as a dosing vessel.
- Q. What is the lifespan of *MagnaClean Micro*?
- A. *MagnaClean Micro* has been designed to last for the lifetime of the boiler, normally ten years. It provides continuous protection and comes with a two year warranty. Registering your warranty is straight forward and can be done online at www.adey.com
- Q. How do I isolate the valves?
- A. Simply turn the valves to the marked OFF position using the small, black spanner provided. The valves rotate 360 degrees in either direction.
- IMPORTANT:** Remember to switch off the electrical supply to the boiler when servicing *MagnaClean Micro*.
- Q. I have a pacemaker, will *MagnaClean Micro* affect me?
- A. As with all magnetic products, if you have a pacemaker, caution should be taken when handling *MagnaClean Micro* at all times. When *MagnaClean Micro* is installed, the magnetic field outside the canister is approximately one tenth of an average fridge magnet.
- Q. How do I install *MagnaClean Micro* on plastic pipework?
- A. *MagnaClean Micro* has been designed to be used with any pipework. When installing on plastic pipework we would suggest converting to copper pipes allowing 200mm on each side and pipe clipping into place.

MagnaClean[®]
Micro

MagnaClean[®]
Micro

MagnaClean Micro has been developed by ADEY Professional Heating Solutions, the pioneers of magnetic filtration.

We live in an age of high efficiency boilers, but for many years, little attention has been given to the ongoing maintenance of heating systems. The majority of systems suffer from black iron oxide and non-magnetic debris contamination. This creates thick sludge deposits which are the result of corrosion taking place within radiators and other metallic components.

The oxide particles range from very large to sub-micron in size with the latter leaching into the system water continually during use. These particles bond to all components often causing premature failure of pumps and valves. When they contaminate the boiler heat exchanger and pipework, the result is a dramatic loss of efficiency.

It is widely recognised that even a minimal build-up results in a serious drop in boiler efficiency. *MagnaClean Micro* has been designed to remove these particles from suspension while allowing full flow through the system.

MagnaClean Micro is a proven, high efficiency, full-flow magnetic and non-magnetic filter developed to protect all smaller-scale domestic central heating systems removing virtually 100% of suspended black iron oxide.

IMPORTANT

Always follow the Standard Electrical Best Practice guidelines when installing *MagnaClean Micro*.

A copy of these guidelines can be found at www.hse.gov.uk/electricity.

The bottom inlet is the flow, with the arrow pointing into the canister. The top is the return with the arrow pointing away from the canister. There is no flow restriction.

Following installation, don't forget to complete the warranty card. Alternatively, complete the registration online at www.adey.com

The product is backed by a two year limited warranty. Faulty components must be returned under the warranty process – Contact ADEY Customer Care Department on **01242 546717** for further information.

ADEY

PROFESSIONAL HEATING SOLUTIONS

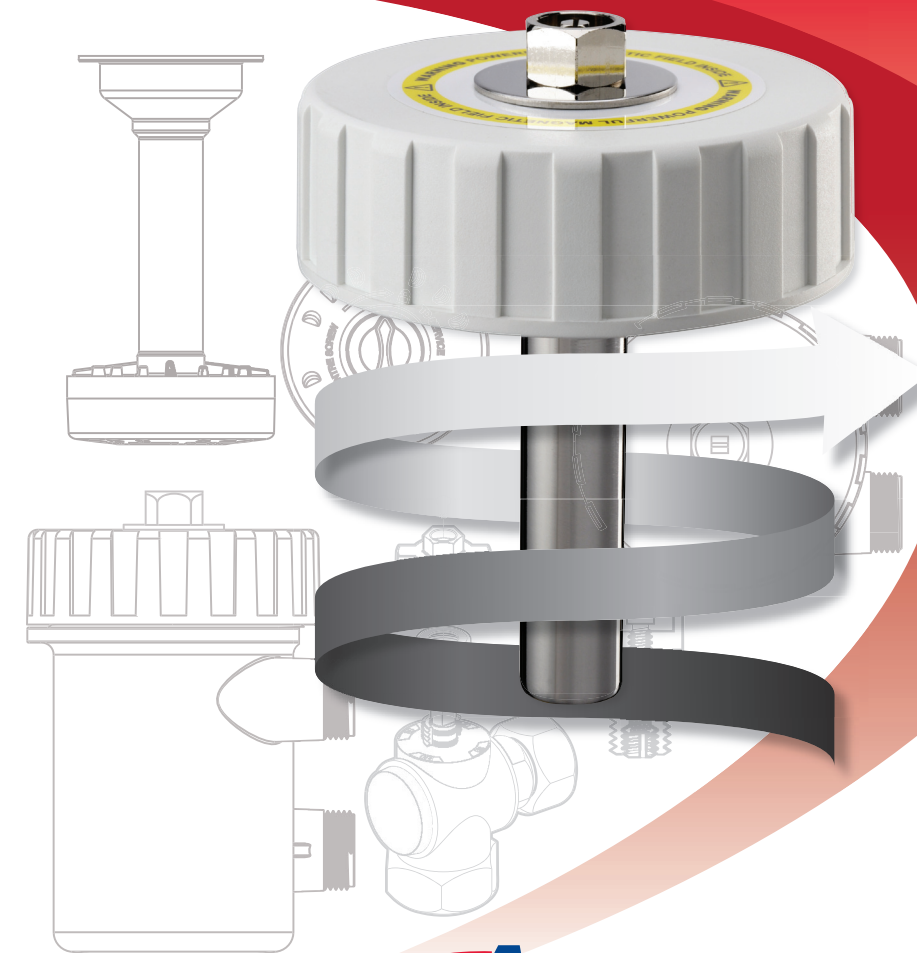
Telephone: 01242 546717 Email: info@adey.com
www.adey.com



Produced from recycled material

MagnaClean[®]
Micro

Installation and servicing instructions



M06524

M1-INSL

ADEY

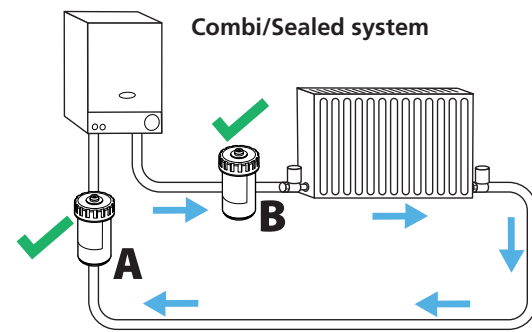
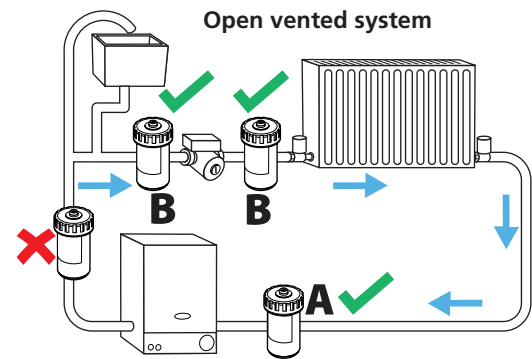
PROFESSIONAL HEATING SOLUTIONS

Installation

MagnaClean Micro has been developed to deliver effective central heating system protection against the damaging effects of black iron oxide. It is designed to remove magnetic and non-magnetic debris and is suitable for all smaller domestic central heating systems comprising up to seven radiators.

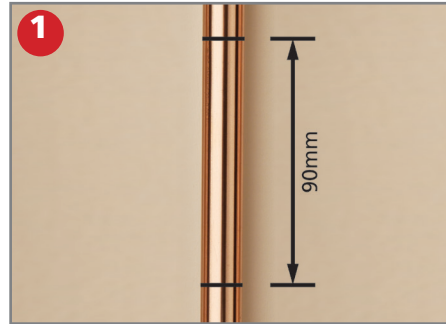
The filter can be fitted anywhere on the main circuit. However, in order to achieve the best protection for the boiler, it is recommended that *MagnaClean Micro* is fitted after the last radiator and before the boiler. In determining a suitable location, it is important to allow adequate access for servicing.

The following instructions are designed to assist engineers in the safe and effective installation and servicing of *MagnaClean Micro* and should be followed at all times. ADEY recommends using the powder-free vinyl gloves provided. Any queries should be directed to your supervisor or ADEY direct on **01242 546700**.



In both diagrams, position **A** is best practice while **B** is suitable.

N.B. We firmly recommend *MagnaClean Micro* is installed and serviced by a qualified heating engineer.



Drain the central heating system or plug-off feed and expansion tank and release the system pressure. Measure and mark a 90mm section when making the connections with elbows supplied, as shown in step 3 below. When installing below a boiler or other object, allow 170mm clearance from the top of the canister to beneath the object, to enable the lid assembly to be removed when servicing.



Using a suitable cutter, carefully remove the marked section of pipe work to create the correct opening.



Prepare the pipe and fittings accordingly. Lubricate the olives and assemble the valves on the pipe. Hand tighten.



Loosely secure the *MagnaClean Micro* canister to the valves, following the flow direction indicated on the canister. Grip the canister and tighten the compression fittings being careful not to over tighten.



Loosen off the valve flange nuts and insert the rubber washers provided. Thoroughly tighten the flange nuts. Do not over tighten. Refill the heating system.



Run the central heating system while checking for leaks. Attach the completed self-adhesive *MagnaClean* label to the boiler. Always service the filter before leaving the premises. The lid and valve spanner can be left with the customer.

Servicing



Important – Before commencing any servicing work, turn off electrical supply to the boiler. Ensure the water is not too hot to undertake work on the system. Turn off both isolation valves to the marked OFF position. Loosen the air vent to release internal pressure. When venting, protect the surface below the canister with a dust sheet or container to capture any drips of water.



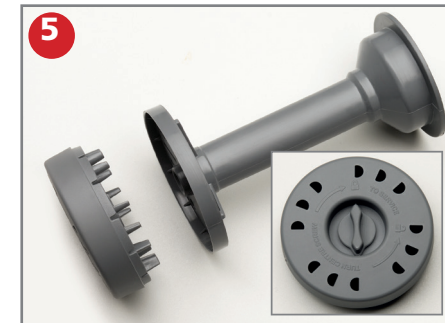
Using the *MagnaClean Micro* lid spanner, carefully unscrew the lid.



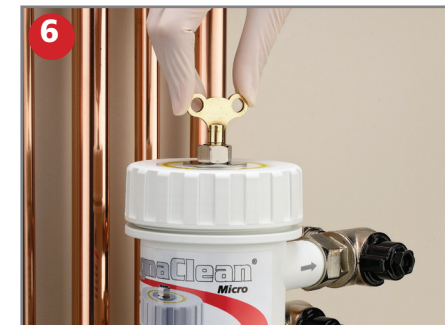
Remove the complete lid assembly from the *MagnaClean Micro*. Turn the lid assembly upside down in order that the underside of the lid acts as a drip tray.



Wrap paper towelling around the build-up of sludge on the plastic sheath. Place lid assembly over a bucket and remove the plastic sheath from the magnet, remove the sludge then rinse clean.



Unlock the bayonet screw on the base of the sheath and remove the debris collector. Rinse until all the non magnetic debris has been removed. Replace and lock the bayonet screw onto the sheath and place the sheath into the canister. Insert the magnet lid assembly and tighten until sealed.



Open the isolation valves to the marked ON position and vent/bleed through the Pro-Fill air vent. Protect the surface below the canister with a dust sheet or container to capture any drips of water. Run the central heating system while checking for leaks. Repeat steps 1 - 6 if required. Ensure the filter is thoroughly clean before leaving the premises.

Chemical dosing



With a standard radiator key, remove the Pro-Fill air vent. The built-in, one-way, valve will prevent water from escaping. Attach chemical adaptor and feed in chemical.



Wait for five seconds before removing the adaptor. The Pro-Fill air vent will accept all market-leading chemicals in either liquid or concentrate form.



Replace the Pro-Fill air vent. Allow the system to circulate for 30 seconds. Open the Pro-Fill screw two turns and back flush until clear.