



LOGIC+ COMBI.

24 30 35

HIGH EFFICIENCY COMBINATION BOILERS

The Logic+ range has become renowned for its reliability thanks to industry leading development and proven components such as the Grundfos pump and Kromschroder PCB which in turn helped the range win the Queen's Award for Excellence in Innovation 2013.



LOGIC+ COMBI

- + Preheat function
- + 75mm deep translucent condensate siphon
- + Plain text operation and diagnostics display
- + Fully modulating operation to low outputs
- + Automatic bypass

RELIABLE

- + Energy Saving Trust recommended
- + 7 year parts and labour warranty*
- + Boiler frost protection
- + Built-in filling loop

EASY TO INSTALL

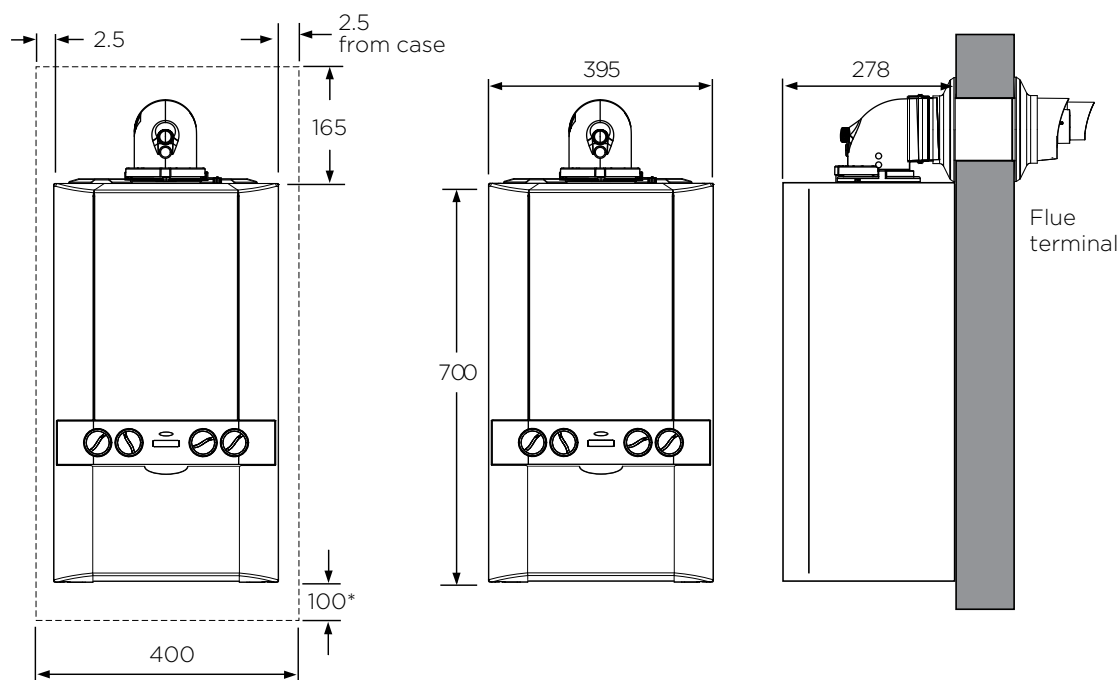
- + Compact cupboard fit
- + Door to optional timers includes user instructions
- + Fast fix telescopic horizontal flue
- + Wide range of additional flueing options
- + Low lift weight (33kg)
- + Preformed copper tails
- + Pre-wired mains lead (2m) & spare fuses included
- + PRV wall outlet pipe included
- + Universal condensate connection
- + Stand-off kit including piping
- + Compatible with a range of additional controls inc. weather compensation and OpenTherm controls
- + LPG conversion kit available for 30 kW boilers



Winner of Household Boiler of the Year category.
Survey of 11,941 people by TNS.



CLEARANCES & DIMENSIONS.



Note: The minimum front clearance when built-in to a cupboard is 5mm from the cupboard door but 450mm overall clearance with the cupboard door open is required for servicing. *Bottom clearance after installation can be reduced to 5mm. However, 100mm is required for servicing.

FLUE LENGTHS.

	+COMBI 24	+COMBI 30	+COMBI 35
Max horizontal*	9m	8m	6m
Max vertical*		7.5m	
Powered vertical†		22m	

Available Kits High Level Flue Outlet Kit

* Each 90° elbow used is at the expense of 1000mm of straight flue run, and each 45° elbow is used at the expense of 600mm of straight flue run.
 † Typical combined primary and secondary length. See installation instructions for more details. Note: The Flue Deflector Kit is used at the expense of 1000mm of straight flue run.

TECHNICAL SPECIFICATIONS.

	+COMBI 24	+COMBI 30	+COMBI 35
Height		700	
Width		395	
Depth		278	
Weight	37.7	37.8	38
Max installation weight (Kg)	32.7	32.8	33
CH output (kW) min/max @ 70°C	4.8 - 24.2	6.1 - 24.2	7.1 - 24.2
CH output (kW) min/max @ 40°C	5.1 - 25.6	6.4 - 25.6	7.5 - 25.6
DHW output (kW) max	24.2	30.3	35.3
DHW flow rate l/min. 35°C rise	9.9	12.4	14.5
SEDBUK rating (2005) %	91	91.1	91
SEDBUK rating (2009) %	89.0	89.0	88.9
NOx classification		CLASS 5	
Adjustable to LPG	No	Yes	No