

TECHNICAL DATA SHEET

BLITZ

Blitz 1 Hole Bath Filler Chrome Plated

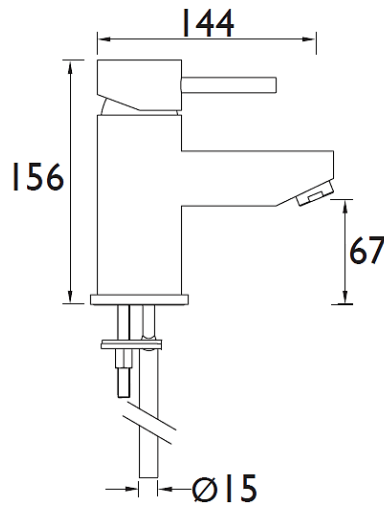
Product Specification

Product Code:	BTZ 1HBF C
Finish:	Chrome
Product Type:	Contemporary
Construction:	Body is of brass construction and is designed to conform to BS EN 200
Cartridge Type:	45mm Cartridge
Supply:	Suitable for all plumbing systems Preferably Balanced
Inlet:	M16 x 15mm Copper Tails
Working Pressures:	Min 0.2bar, Max 5.0bar



Additional Information

- Chrome plated to BS EN 248
- Supplied with metal handle



Technical Advice: For further information please call 0844 7016273 or email customer@bristan.com

Guarantee: 5 years covering manufacturing faults

Flow Rates (litres per minute)

System Pressure	0.3bar	0.5bar	1.0bar	2.0bar	3.0bar	5.0bar
BTZ 1HBF C (Mixed)	14.8	19.8	28.9	40.6	49.7	64.1