

ACUTE

Acute Easyfit Basin Taps

Product Specification

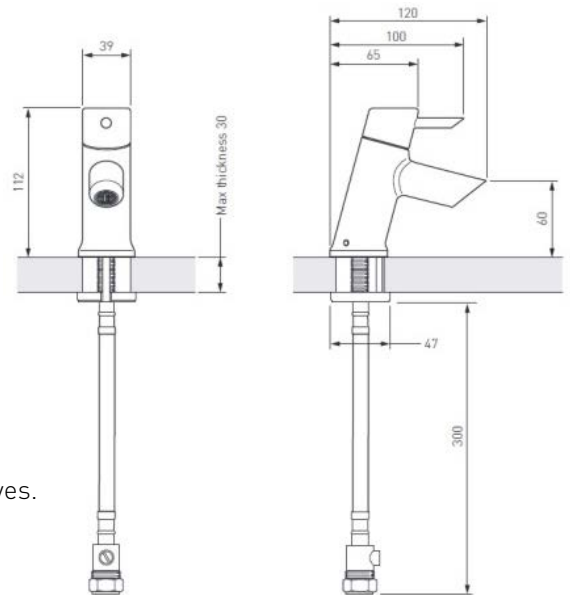
Product Code: AE ½ C
Finish: Chrome
Product Type: Contemporary
Construction: Body is of brass construction and is designed to conform to BS EN 200
Valve Type: ¼ Turn ½” ceramic disc valves
Supply: Suitable for all plumbing systems
Inlet Connections: 15mm Flexible connecting pipes incorporating isolation valves
Working Pressures: Min 0.2bar, Max 8.0bar



Easyfit
FASTER. SMARTER.

Additional Information

- Unique patented technology.
- Designed with the installer in mind to ensure installation and future maintenance is made quick and easy.
- Ceramic disc valves for added durability and ease of use.
- Supplied with flexible connecting pipes incorporating isolation valves.
- Supplied with easy to use metal lever handles.
- Chrome plated to BS EN 248.



Dimensions are nominal and in millimetres.

Technical Advice: For further information please call 0844 7016273 or email customercare@bristan.com

Guarantee: 5 years covering manufacturing faults.

Compliance/Approvals

WRAS: Manufactured to comply with WRAS.

Patent Applications: PCT/GB2011/051010

TW10018586

FlowRates (litres per minute)

System Pressure	0.2bar	0.5bar	1bar	2bar	3bar	5bar
AE ½ C	7.1	11.2	16.0	22.7	28.0	36.1