

ACUTE Acute Easyfit Bath Filler

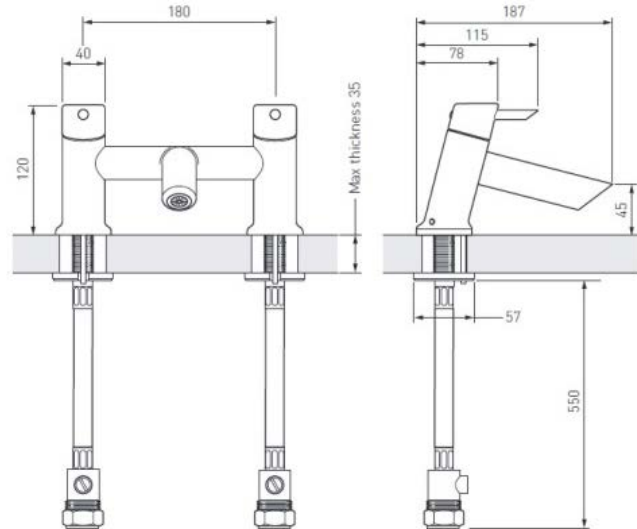


Product Specification

Product Code: AE BF C
Finish: Chrome
Product Type: Contemporary
Construction: Body is of brass construction and is designed to conform to BS EN 200
Valve Type: ¼ Turn ¾" ceramic disc valves
Supply: Suitable for all plumbing systems
Inlet Connections: 22mm Flexible connecting pipes incorporating isolation valves.
Working Pressures: Min 0.2bar, Max 8.0bar

Additional Information

- Unique patented technology.
- Designed with the installer in mind ensuring installation and future maintenance is made easy.
- Ceramic disc valves for added durability and ease of use.
- Supplied with flexible connecting pipes incorporating isolation valves.
- Supplied with easy to use metal lever handles.
- Chrome plated to BS EN 248.



Dimensions are nominal and in millimetres.

Technical Advice: For further information please call 0844 7016273 or email customer@bristan.com

Guarantee: 5 years covering manufacturing faults.

Compliance / Approvals

WRAS: Manufactured to comply with WRAS.

Patent Applications: PCT/GB2011/051010

TW10018586

FlowRates (litres per minute)

System Pressure	0.2bar	0.5bar	1bar	2bar	3bar	5bar
Single Outlet	8.5	19.3	27.8	39.3	48.2	62.2
Mixed	21.4	33.1	46.9	66.3	81.2	104.9