

Quick Start Guide

Note VENTILATION IS ESSENTIAL Read 'Step 2' 'Ventilation' before you start.

Note This Quick start guide must be read in conjunction with the Installation instructions and User guide.

- Before proceeding, read the Installation instructions and User guide.
- Check all the components are present and correct.
- Check that you have all the necessary tools.
- Ensure the under-counter cupboard floor can support the product weight when full of water, (check the specifications in the Installation instructions and allow an extra 4-5kg when full of water).



Prior to installation, ensure that the following have been provided at the installation site.

- Sufficient space in the cupboard to install the Command-Centre™ and its ancillary components. Refer to the Technical specification of the Installation instructions for dimensions. If required, make allowance for a booster, (refer to the Installation instructions for details).
- A potable water supply connection with min / max working pressures of: (refer to the Technical specification of the Installation instructions for specific model information).
- An isolating valve inside the cupboard within reach of the flexible braided hose and positioned so that the connection point and the stop cock will not be obstructed when the Command-Centre™ and its ancillary components are installed.
- For Zip HydroTap®G4, a single 220-240V AC, 13A socket is required. For Zip HydroTap®G4 + Booster, two 220-240V AC, 13A sockets are required. (One socket is for the Zip HydroTap®G4 and the other for the booster).
- Both the Command-Centre™ and booster must be installed in accordance with IEE regulations, See Technical specifications in the Installation instructions, for power ratings.

Note Check the cable lengths and outlet positions before proceeding and ensure that the tap location will allow the tap spout to drain into the sink.

- For the mains pressure All-in-One, both a hot and cold water supply is required.
- The Command-Centre™ and booster must be mounted in upright positions, with their base mounted horizontally, as shown overleaf.

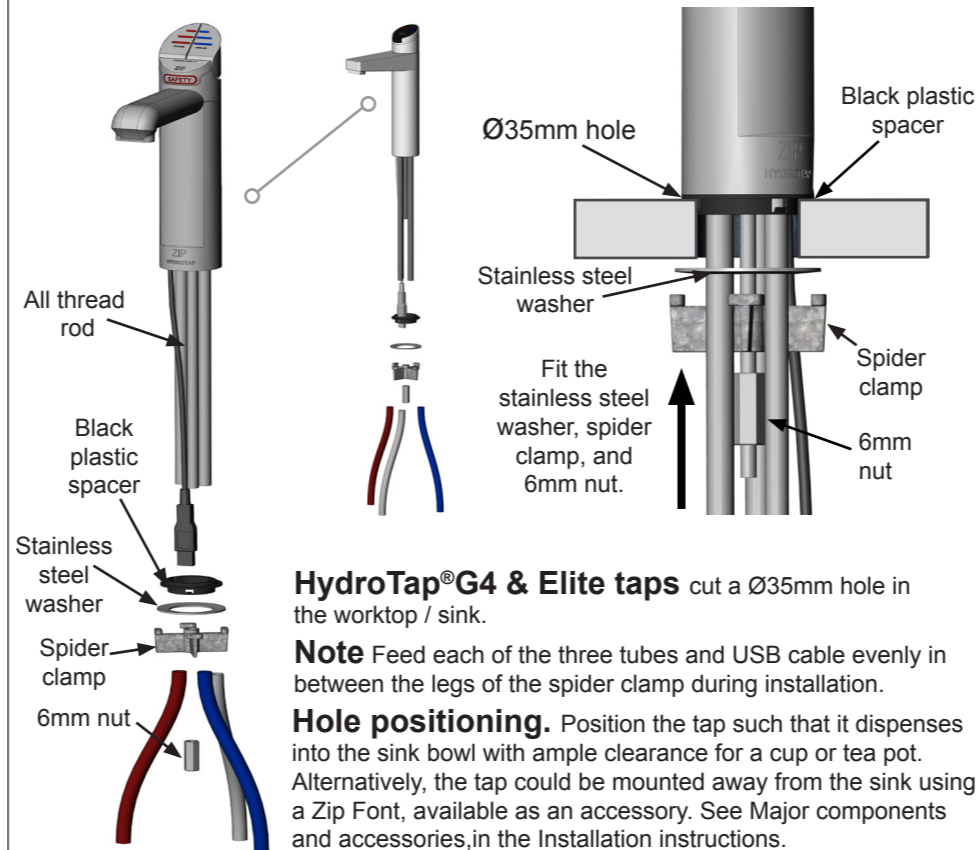
IMPORTANT! Do not proceed with the installation if these requirements are not met.

Parts supplied	Description	Parts supplied	Description
	1 x HydroTap®G4* Classic, Elite or # Arc / Cube # (inc. Tube kit)		1 x User guide and 1 x Quick start guide
	1x All-in-One* HydroTap®G4 Mains or Vented		1 x Booster option inc. connection hoses.
	1 x Mixer tap* Classic, Arc or Cube		1 x Installation fittings (supplied with vented mixer taps)
	1 x Command-Centre™ with air and water filters		**Duct kit 2 x Outlet vent 1 x Inlet vent
	1 x Mains water connection hose		

* Tap options supplied are dependant upon configuration purchased.
**Supplied with commercial compact models only.

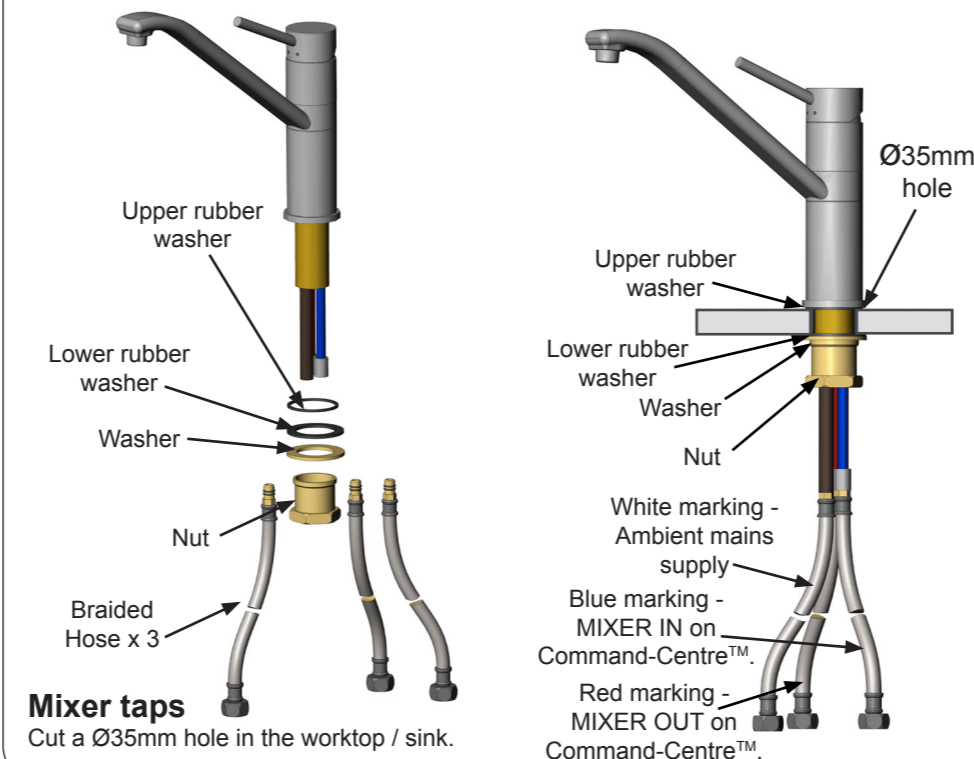
Step 1- Prepare and install the taps. (For All-in-One and Arc / Cube taps, see the Installation instructions).

HydroTap®G4 Classic & Elite tap installation



Apply a light smearing of silicon sealant on the underside of the spacer to ensure a watertight fit.

Mixer tap installation



Step 2- Cut cupboard holes and fit the air vent ducts.

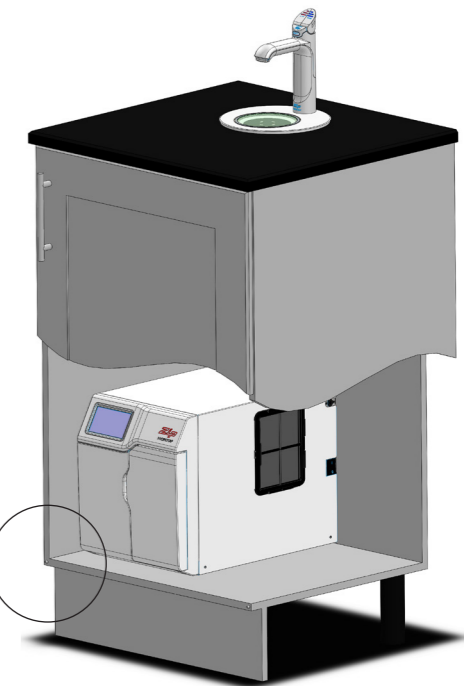
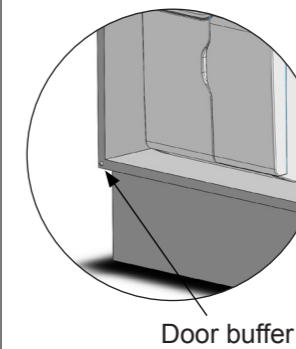
Ventilation

Ventilation for all models

- The clearance envelope dimensions stated in the specification sheets and installation instructions must be observed.
- Adequate ventilation must be provided to ensure that the cupboard space temperature does not exceed 35°C.

Preferred arrangement for residential models

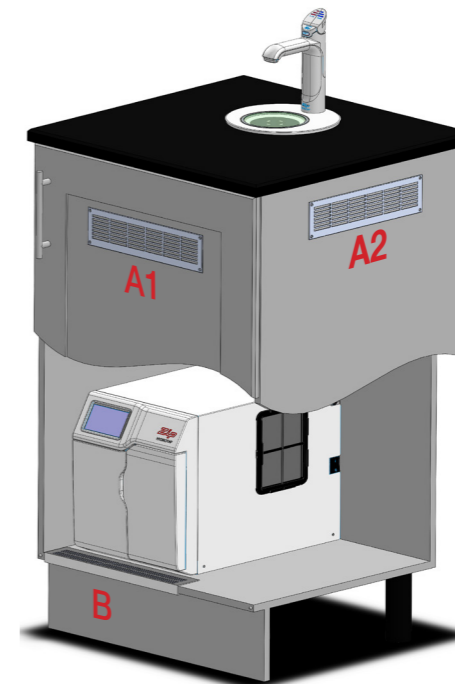
4mm door buffers (at the four corners of each door) supplied with the Command-Centre™ should be used to provide adequate ventilation in normal usage, (as shown in the adjacent illustration).



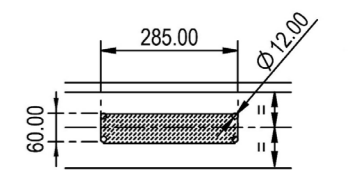
Preferred arrangement for commercial models

The vent kit supplied should be used to provide adequate ventilation by convection in all cases.

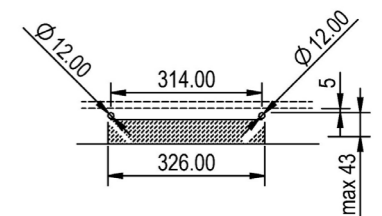
Note The vent kit has to be installed in a way that allows air to be drawn in from the bottom of the cupboard and expelled through the top of the cupboard. The outlet vent should be towards the top of the door (position **A1**) or side of the cupboard (position **A2**).



Vent cut-out details



A1 or A2 Air outlet vent



B Air inlet vent

Note Flat outlet vent detail shown, louvred vent also supplied.

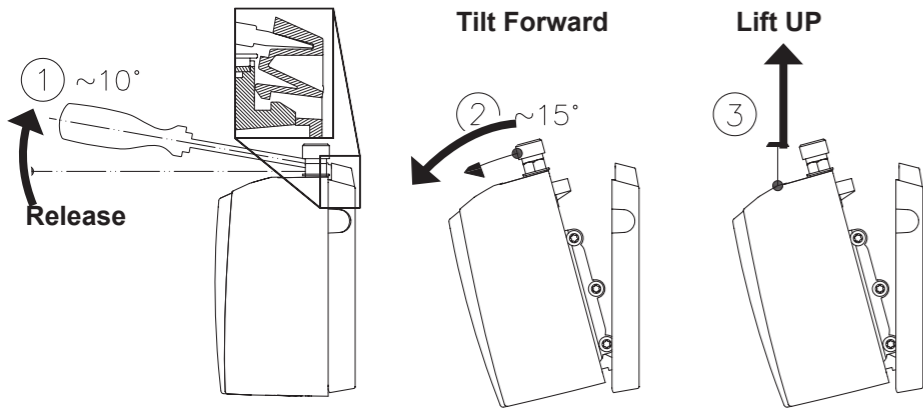
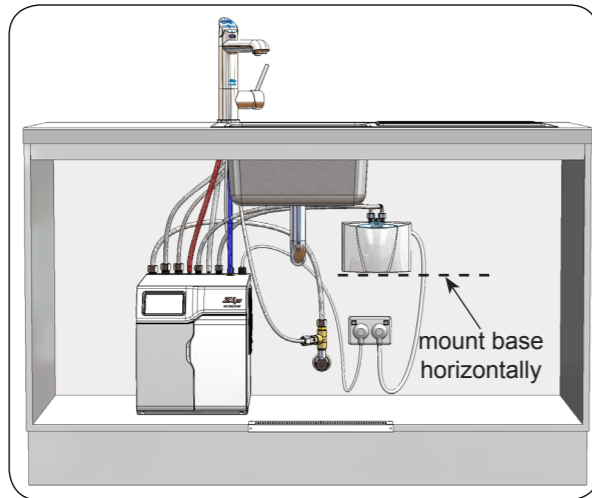
Step 3 - Install the booster (if required).

Booster system

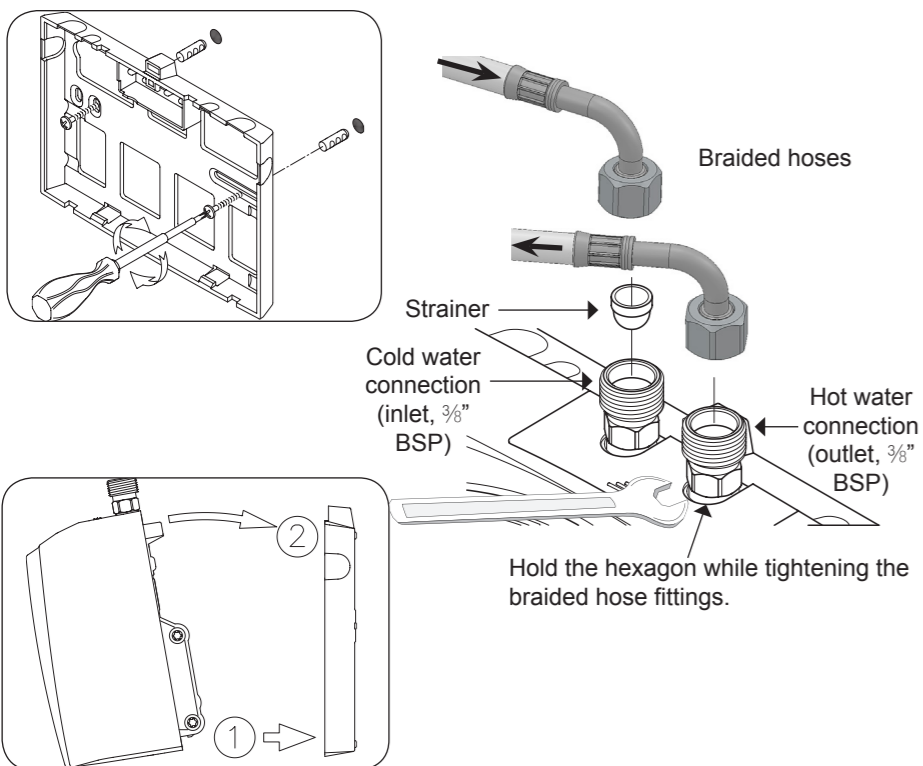
Note 1 Water connection.
Blue cap - water in.
Red cap - water out.
The braided hoses cannot be lengthened.

Note 2 Position the booster according to the flexible hose and cable lengths supplied. Keep the booster as close as possible to the Command-Centre™ inlet / outlet fittings.

Note 3 Ensure the booster heater is mounted in an upright position (as shown) with a horizontal base.



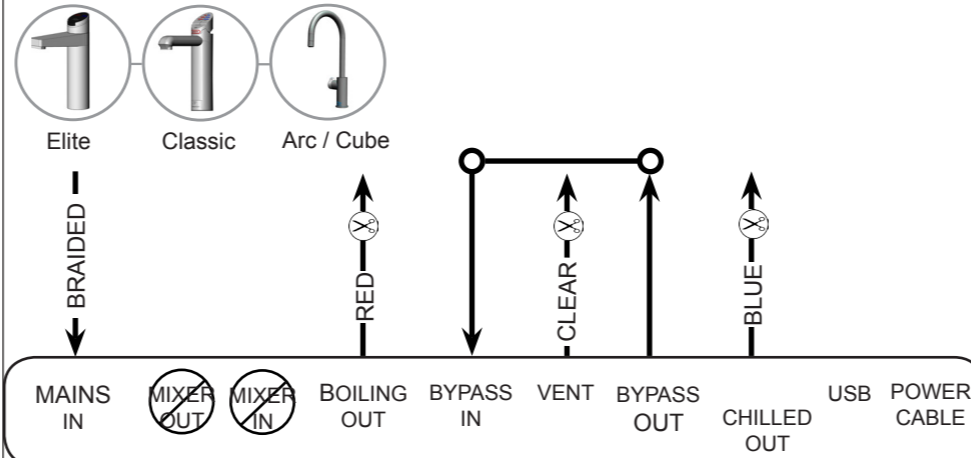
Remove the mounting chassis for wall mounting.



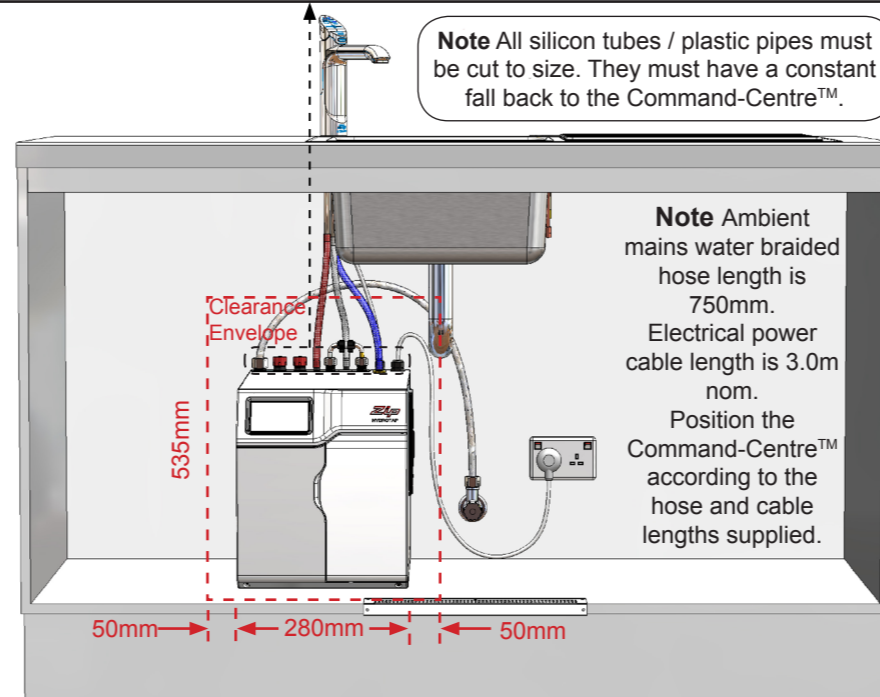
Step 4- Installing the Command-Centre™.

Command-Centre™ installation

Example HydroTap®G4 model



Note All silicon tubes / plastic pipes must be cut to size. They must have a constant fall back to the Command-Centre™.



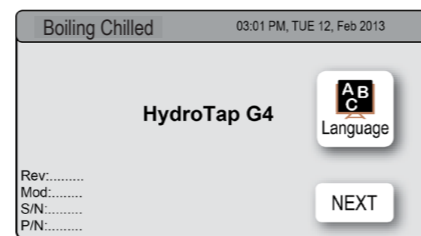
Note The braided hose and connection tubes cannot be lengthened.

Step 5- Commissioning.

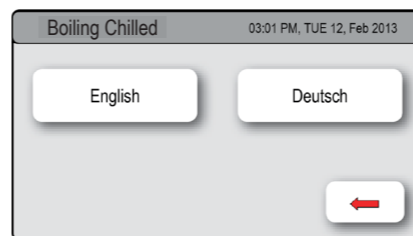
Commissioning

To set the language

- Press the [Language] button from the main menu.
- Select [English] or [Deutsch].



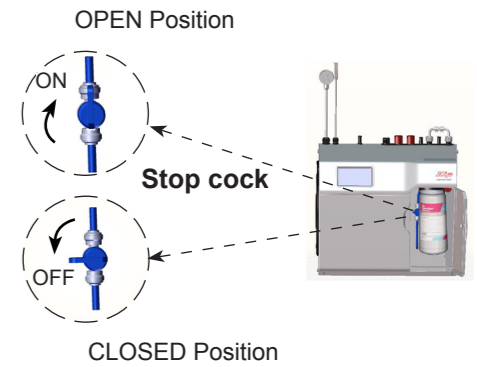
Initial commissioning screen



Language selection screen

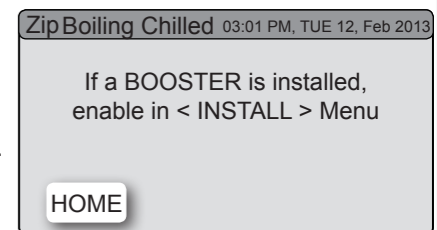
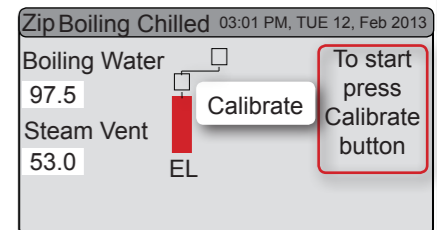
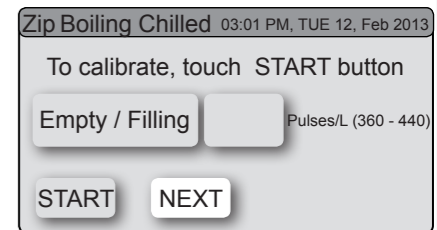
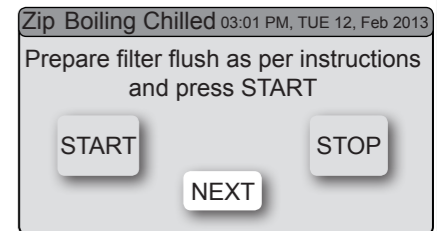
Commissioning

Have a bucket or similar container (not supplied) at the ready to hold a quantity of water that will be ejected while the filter flush mode is in operation. Open the filter access door on the front of the Command-Centre™ and the filter cartridge will be exposed. Located to the rear right hand side of the cartridge is a flush line, approx 600mm long, and the flush line stop cock. Place the free end of the flush line into the bucket or container (not supplied).



Note at first commissioning, the system will select the filter flush screen automatically.

- Turn the flush stop cock on.
- Press [START] button to start filter flush.
- Allow at least 10 litres of water to flush through the filter.
- Once the filter flush is finished, turn the flush stop cock off then press [STOP] to end filter flush mode.
- Press [NEXT] and the screen will display the flow calibration screen.
- Press the [START] button and the tank will first empty then fill. Upon completion the pulse count will be displayed. Check this reading is within the limits.
- Press [NEXT] for the boiling calibration screen.
- Press the [Calibrate] button and the system will commence the boiling calibration procedure. This will take approximately 5-6 minutes.
- Upon completion, a booster reminder screen will appear and allow you to return to the home screen by pressing the [HOME] button.
- Check the date and time settings, see section G of the User guide.



To enable the booster (if fitted).

- Press the [MENU] button for main menu.
- Press the [Install] button.
- Press the [Boost] button.
- In the next screen, select YES to enable the booster.
- Water must be run through the booster for a minimum of 30 seconds, before the heater is activated.
- Dispense boiling water for 30 seconds and check the booster outlet hose is warm when the boiling water tank is replenishing.

