

# BRISTAN

TAPS & SHOWERS

## Installation Instructions & User Guide

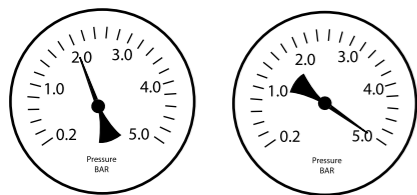
Please leave these instructions with the end user

Product Code: GLL SMSNK C (D1)

### Specifications

#### Dynamic Water Pressure

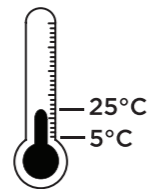
Min: 2.0 bar Max: 5.0 bar



Maximum Static Pressure: 10.0 bar

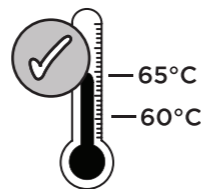
#### Inlet Water Temperature

##### Cold Water Supply



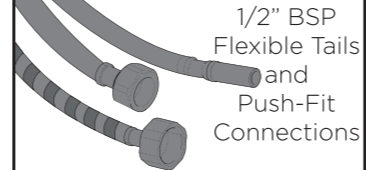
Min: 5°C Max: 25°C

##### Hot Water Supply



60-65°C Recommended

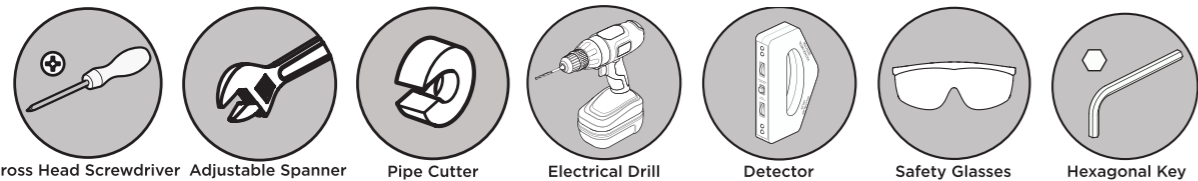
#### Inlet Connections



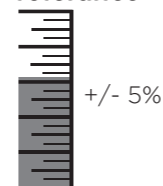
#### Electrical Requirements

24V AC  
10W  
50 Hz  
IPX4 Protection

### Tools You'll Need



#### Measuring Tolerance



### Prior to Installation

All products manufactured and supplied by Bristan are safe provided they are installed, used correctly and receive regular maintenance in accordance with these instructions.

If you are in any doubt about your ability to install this product safely please seek the services of a qualified plumber.

Ensure an electric socket is near the place of installation and can be reached by the power cord. If a socket needs to be installed, please seek the services of a qualified electrician.



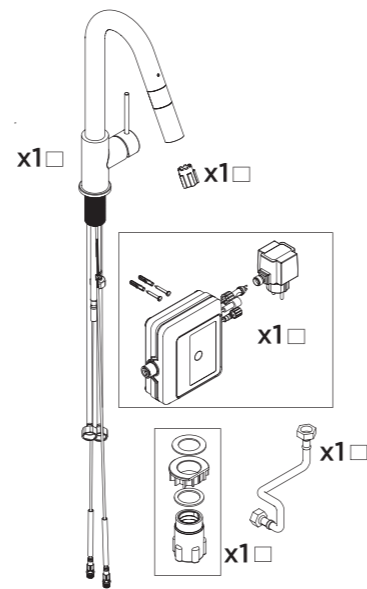
#### Warning:

Only the power adaptor supplied with this product must be used

Before installing these taps the water supply must be thoroughly flushed in order to remove any swarf, solder etc. Isolation valves must be fitted to the inlet water supplies to ensure ease of future maintenance.

This product must not be modified in any way as this will invalidate the guarantee.

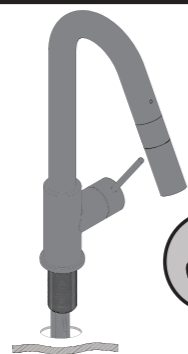
### Pack Contents



### Installation

1

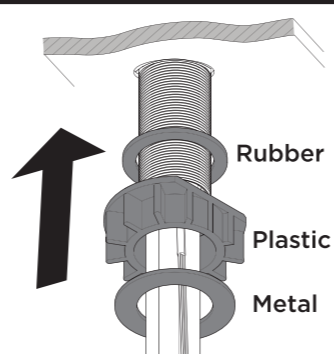
Feed the pipes through the sink hole and place the tap body.



Feed the tails through one at a time in the order shown in Step 3

2

Push the washers against the tap body.

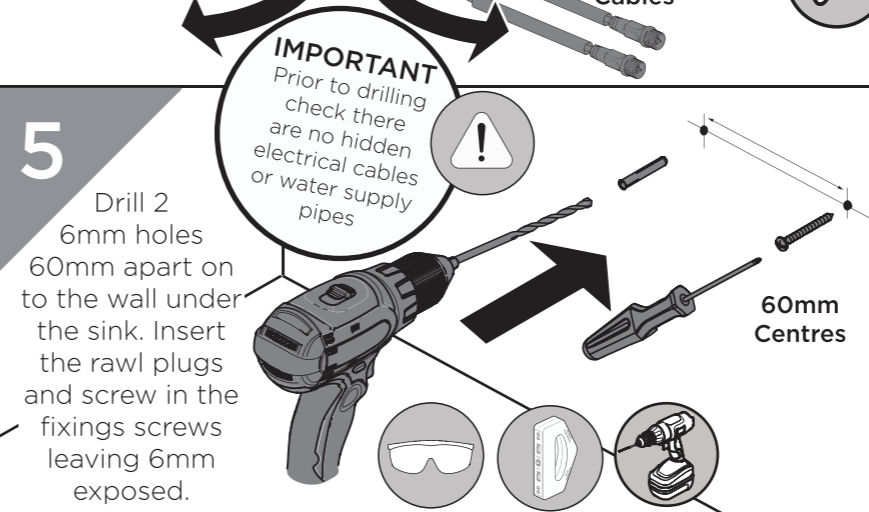


Rubber  
Plastic  
Metal

3

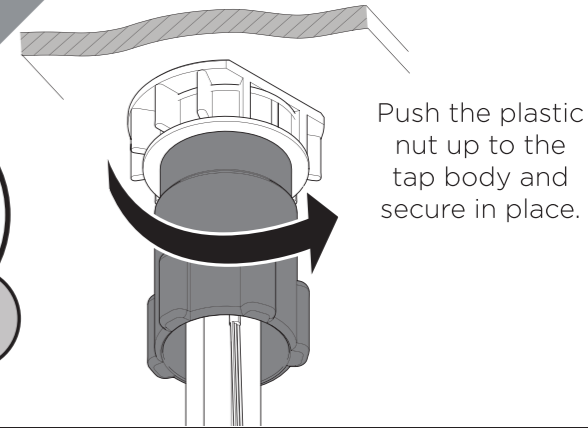
- 1) Red Striped
- 2) Blue Striped
- 3) Plain
- 4) Push-Fit
- 5) Electric Cables

Arrange the pipework through the plastic nut in the following order.



4

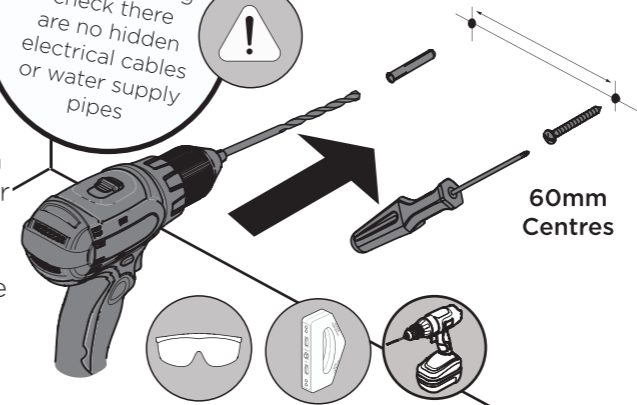
Marked red for hot and blue for cold



Push the plastic nut up to the tap body and secure in place.

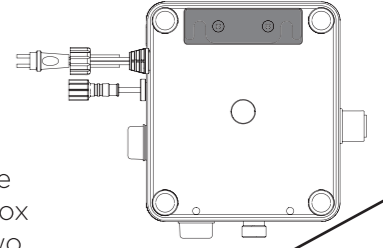
5

Drill 2 6mm holes 60mm apart on to the wall under the sink. Insert the rawl plugs and screw in the fixings screws leaving 6mm exposed.



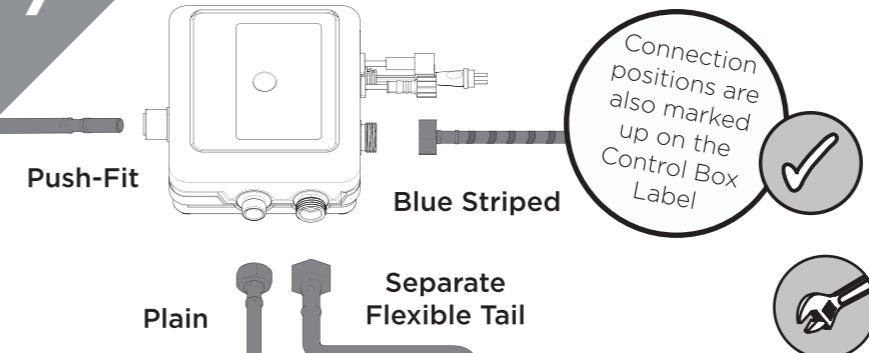
6

Hang the Control Box on the two screws using the slots provided.



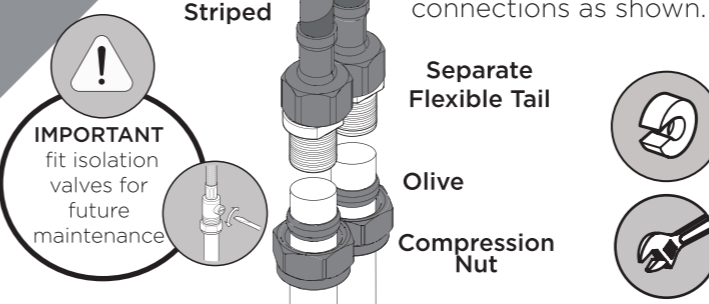
7

Plumb the water connections to the Control Box as shown.



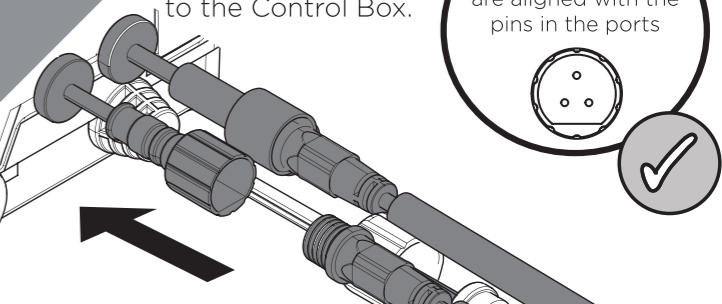
8

Plumb the hot and cold water connections as shown.



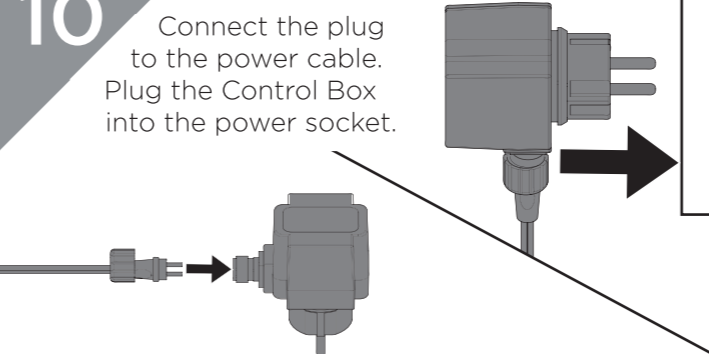
9

Connect the electrical cables to the Control Box.



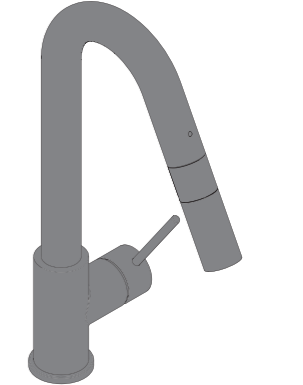
10

Connect the plug to the power cable. Plug the Control Box into the power socket.



11

Your tap is now ready to be commissioned for first use.



### Operation

Touch Sensitive Sensor Flashes when On

REMEMBER Run the commissioning procedure before first use

Hot Off On

Cold

After 3 seconds of inactivity the measuring function will switch off

### Measurement Options

C	100	200	250	300	400	500	600	700	750	800	1000	1/2	1	1/2	2/3	3/4	1
	Millilitres											Pints		Cups			

### Operation - Measuring Water

- Turn the measurement ring to 'C' in line with the Indicator Light to reset the measurement function and obtain a continuous flow of water.
- To select a measurement, turn the measurement ring to your selected measurement in line with the indication light.
- Touch the sensor to release the measured water.

### Maintenance - Cleaning/Replacing Cartridge

- Remove cap. Undo grub screw and remove handle. **IMPORTANT** Isolate the water supply before starting!
- Unscrew shroud and retaining nut. Remove cartridge.
- Place cartridge in a suitable solution and soak until fully descaled.
- Replace cartridge. Screw on retaining nut and shroud.
- Replace handle. Tighten the grub screw and replace the cap.
- Turn on the mains water supply, letting the water flow for a few minutes to flush through the system.

### Troubleshooting

Symptom	Cause(s)	Remedy
No flow or low flow rate	Partially closed isolation valve.	Open isolation valve.
	Instantaneous water heater cycles on and off as flow rate or pressure is too low.	Increase water flow rate or pressure through system.
	Head of water is below the minimum distance required.	Refer to the specification for the minimum distance required
	Hot or cold water being drawn off elsewhere causing pressure changes or instantaneous boiler temperature changes.	Do not use other water outlets when using the taps.
	Airlock or partial blockage in the supply pipework or hoses.	Flush through pipework to ensure removal of debris and any airlocks.
Water dripping from taps	Water supply failure	Investigate water supply. Check your plumbing and heating systems for any faults.
	This is normal for a short time after using the taps.	This is caused by capillary action, the build up of water in the tap body.
Taps do not turn on	If water continues to drip, possibly due to the ceramic disc valves/cartridge	Refer to the section: Maintenance - Cleaning/Replacing Cartridge
	Closed isolation valve.	Open isolation valve.
Measurement function isn't working/in tolerance	Mains water supply turned off.	Turn on mains water supply.
	Commissioning Procedure hasn't been carried out	Refer to the section: Commissioning - Calibration
Power Outage - tap will need to be re-calibrated		
Indicator Light Flashing	Quantitative PCB needs to be manually reset	Reset the Scale to 'C' position.

### Commissioning - Calibration

- Turn the measurement ring to 'C'.
- Turn the measurement ring to 100ml.
- Touch the sensor to release the measured water.
- Repeat Steps 1 - 3 at least 5 times before first use in order for the tap to learn to compensate for your water pressure; in order to give a precise measurement.

### General Cleaning

Your fitting has a high quality finish and should be treated with care to preserve the visible surfaces.

All surfaces will wear if not cleaned correctly, the only safe way to clean your mixer tap is to wipe with a soft damp cloth. Stains can be removed using washing up liquid.

All bath cleaning powders and liquids will damage the surface of your fitting, even the non-scratch cleaners.

**Note:** Never use abrasive detergents or disinfectants or those containing alcohol, hydrochloric acid or phosphoric acid.

### Spare Parts

To replace any spare parts for your tap, why not scan the QR Code or visit [www.bristan.com](http://www.bristan.com) and search for your product.

### Servicing Your Tap

We recommend servicing your tap at least once every year to prolong its life. To see a video showing how to remove the cartridge for servicing, scan the QR code with your smart phone or tablet.

Alternatively visit [www.bristan.com/howto](http://www.bristan.com/howto)

At Bristan, we want to make things as easy as possible for our customers. That's why we offer solid guarantees on all our products, effective from the date of purchase, to give you peace of mind.

To start your free guarantee simply scan the QR code and register your product. Alternatively visit [www.bristan.com/register](http://www.bristan.com/register).

For any other queries, please call our Customer Service on 0330 026 6273 where our expert team of advisors will be able to offer you any help and advice.

For full guarantee terms and conditions visit [www.bristan.com/guarantees](http://www.bristan.com/guarantees).

*We Know & We Care*