

ARTISAN

Thermostatic Lever Handle Bath Filler

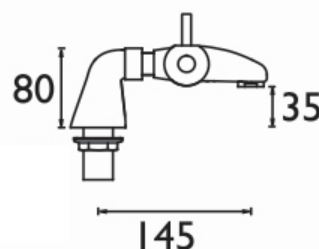
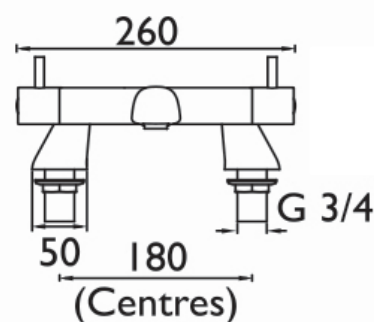
Product Specification

Product Code:	AR2 THLBF C
Finish:	Chrome plated
Product Type:	Contemporary
Construction:	Bodies are of all brass construction
Valve Type:	Ceramic disc valve
Cartridge Type:	Thermostatic
Supply:	Suitable for nominally equal (balanced) inlet supply pressures only
Inlet Connections:	G 3/4"
Working Pressures:	Min 0.2 Bar Max 5.0 Bar



Additional Information

- Dual control – Flow and temperature are controlled separately giving accurate control of both bath and shower functions.
- Thermostatic cartridge maintains showering temperature to +/- 1° C by compensating for changes in the incoming water temperature and pressure giving stable outlet temperature.
- Automatic shut off in the event of hot or cold water supply failure, thus reducing the risk of any injury.
- Factory set to 38°C to eliminate the ability to select unsafe temperature, this can be overridden by the user.
- Chrome plated to BS EN 248.
- This product must have nominally equal (balanced) inlet supply pressures to function correctly. If pressures are unequal, then a pressure reducing valve should be used.



Flow Rates (litres per minute)

System Pressure	0.2bar	0.3bar	0.5bar	1.0bar	2.0bar	3.0bar	4.0bar	5.0bar
AR2 THLBF C	11.6	14.2	18.3	27.0	38.7	47.5	54.6	61.0

Compliance / Approvals

WRAS: Certificate No: 1407012

Technical Advice: For further information please call 0844 7016273 or email customer@bristan.com.

Guarantee: 5 years covering manufacturing faults.