

AR2 THLBAS C

ARTISAN Tap Range Artisan TMV2 Thermostatic Lever Handle Basin Mixer Chrome



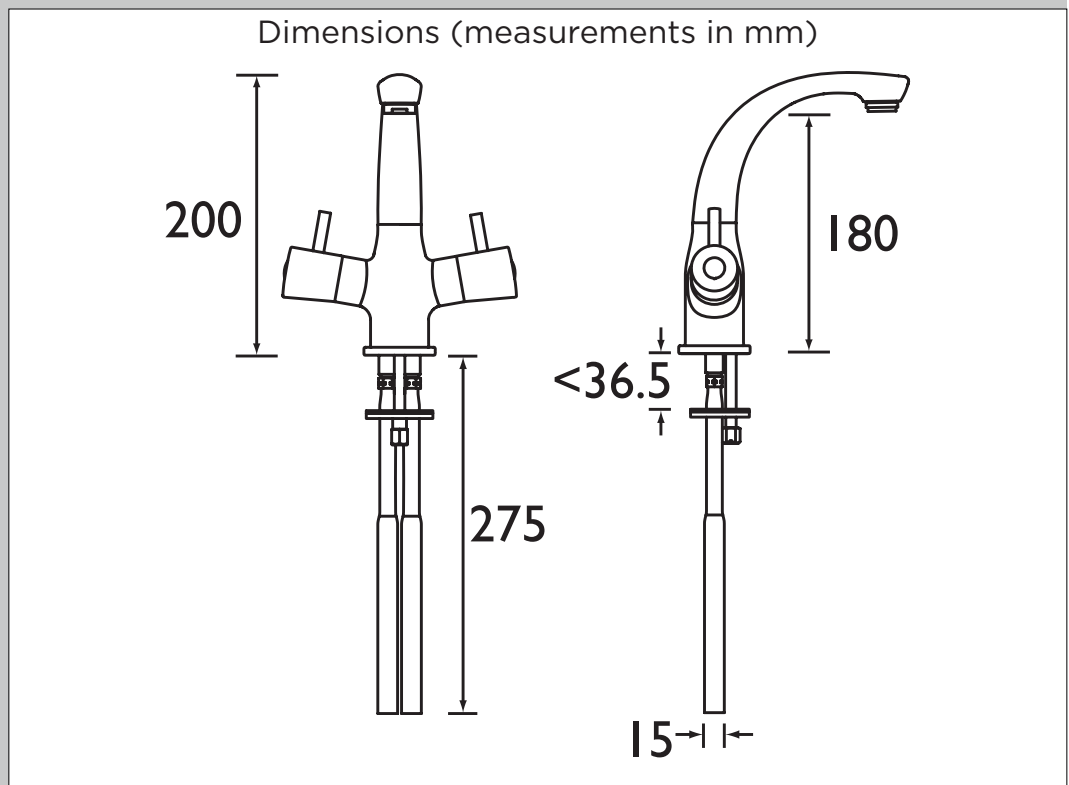
Specification	
Style:	Contemporary
Product Type:	Basin Mixer
Finish/Colour:	Chrome
Main Construction Material:	Brass
Mount Type:	Deck Mounted
Handle Type:	Lever
Connection Inlet:	15mm Copper Connecting Pipes
Number of Tap Holes Required:	1
Valve/Cartridge Type:	Thermostatic
Plumbing System Suitability	Balanced System
Working Pressure Range:	Min. 0.2 - Max. 5 Bar
Maximum Hot Water Temperature: °c	80
Maximum Dynamic Pressure: (bar)	5
Maximum Static Pressure: (bar)	10
Flow Type:	Single
Flow Rate: (l/min @ 3 bar)	21.8
Connection Outlet:	M24 Flow Straightener
Isolation Included:	No

Features:

- Dual Control peg-lever handles
- Dual control peg-lever handles
- Pre-set maximum temperature at 38c can be overridden by the user
- Operates at a minimum pressure of 0.5 bar

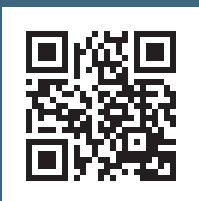
Product Certifications:

WRAS Certificate Number: 1407011
WRAS Expiry Date: 31/07/2019



Flow Rates (l/min)						
System Pressure (bar)	0.2	0.5	1	2	3	5
AR2 THLBAS C	3.2	7.9	12.1	17.8	21.8	28.1

For more products, visit our website:



TECHNICAL
DATA
SHEET



BRISTAN
TAPS & SHOWERS

D3