

TECHNICAL DATA SHEET



ARTISAN

Recessed Thermostatic Dual Control Shower Valve with Integral Two Outlet Diverter Chrome

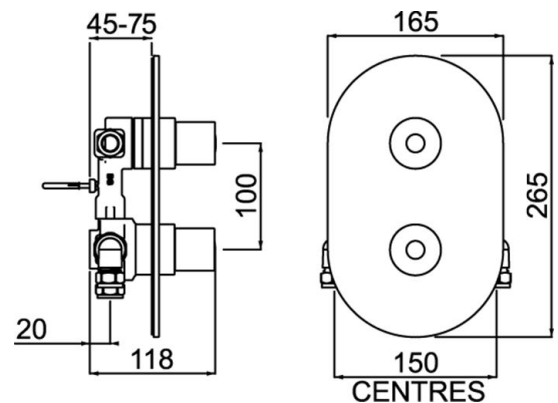
Product Specification

Product Code: AR3 SHCDIV C
Finish: Chrome
Product Type: Contemporary
Construction: Body is of brass construction
Cartridge Type: Ceramic disc valve
Supply: Suitable for all plumbing conditions, preferably balanced. The inlet hot water temperature must be at least 10% above the required blend temperature.
Inlet Connections: 15mm Compression connections
Working Pressures: Min 0.2 Bar, Max 5.0 Bar



Additional Information

- Chrome plated to BS EN 248
- Suitable for cavities between 45-75mm
- Minimum cold water supply temperature is 5°C
- Maximum hot water supply temperature is 80°C
- Flow rate at 0.2 Bar (open outlet without flow regulators) is 8 l/min
- Fully serviceable from the front



Flow Rates (litres per minute)

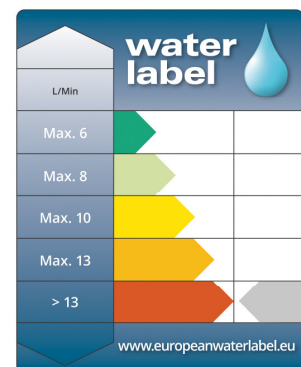
System Pressure (bar)	0.2	0.5	1.0	2.0	3.0	5.0
Outlet 1	8.5	13.44	19	26.87	32.91	42.49
Outlet 2	8.27	13.08	18.5	26.16	32.04	41.37

Compliance / Approvals

WRAS Approval No: 1507042

Technical Advice: For further information please call 0844 7016273 or email customer@bristan.com

Guarantee: 5 years covering manufacturing faults.



Bristan, Birch Coppice Business Park, Dordon, Tamworth, B78 1SG
 Telephone: 0844 701 6274 Facsimile: 0844 701 6275
 Web Site: www.bristan.com Email: enquire@bristan.com



The information contained on this page was correct at date of issue. Fitting dimensions are provided as a guide only. Some variation may occur due to manufacturing tolerances. Bristan pursues a policy of continuing improvement in design and performance of its products and so reserves the right to change specifications without prior notice.