

## PRISM

### Exposed Concentric Shower Valve with Adjustable Riser Kit

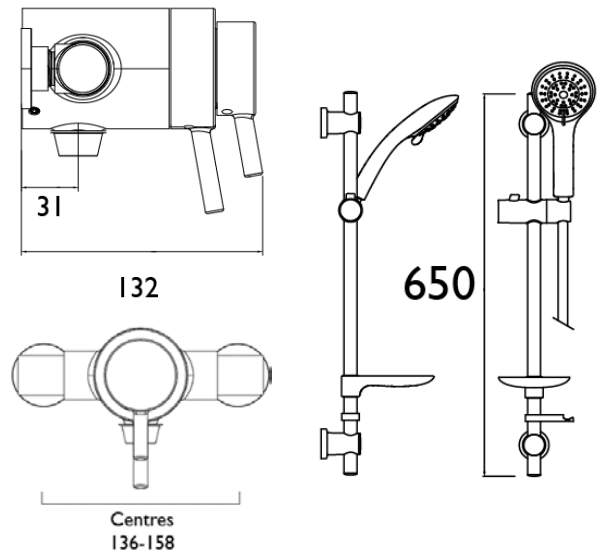
#### Product Specification

Product Code:	PM2 CSHXAR C
Finish:	Chrome
Inlet Connection:	15mm Compression
Maximum Temperature:	Pre-set 42oC
Pressure Range:	<b>Min</b> 0.1 Bar, <b>Max</b> 5.0 Bar
Dimensions for Fitting:	136mm – 158mm adjustable inlet centres



#### Additional Information

- Chrome plated to BS EN 248:2002
- Supplied with 2 x 8 l/min. flow regulators
- Adjustable inlet centres mean you can use existing pipework with centres measuring anything between 136mm and 158mm.
- Rub clean handset
- Factory fitted regulators means this is a water saving shower
- Matching taps available



#### Flow Rates (litres per minute)

System Pressure	0.1bar	0.2bar	0.5bar	1bar	2bar	3bar	5bar
Through Handset (mixed) with Flow Regulators	---	---	6.3	9.1	12.9	12.7	17.1
Through Handset (mixed) without Flow Regulators	2	3.6	6.5	9.6	13.9	17.1	22.1

**Technical Advice:** For further information please call 0844 7016273 or email [customer@bristan.com](mailto:customer@bristan.com)

**Guarantee:** 5 years covering manufacturing faults.