

# PM2 CSHXTVO C

## PRISM Shower Range Prism Exposed Concentric Top Outlet Shower Valve



### Features:

- Top outlet
- Adjustable inlet centres mean you can use existing pipework with centres between 136mm and 158mm
- Supplied with 8l/m flow limiters
- Chrome plated to BS EN 248
- Matching taps available

### Product Certifications:

WRAS Certificate No: 1702038



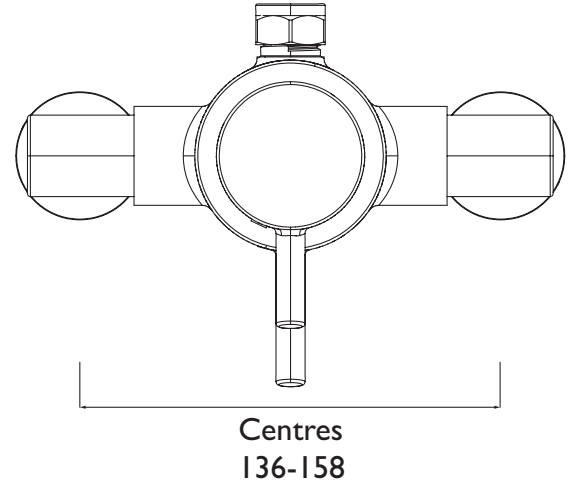
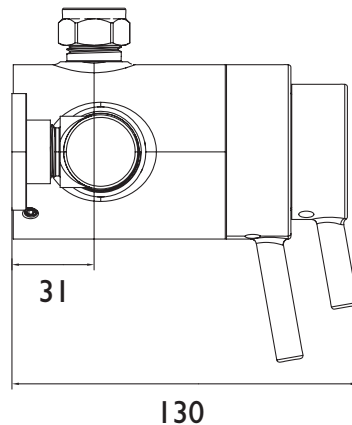
For more products, please visit our website:



### Specification

<b>Style:</b>	Contemporary
<b>Finish/Colour:</b>	Chrome
<b>Main Construction Material:</b>	Brass
<b>No of Controls:</b>	2
<b>Shower Type:</b>	Concentric
<b>Temperature Control:</b>	Thermostatic
<b>Shower Head Type:</b>	
<b>Maximum Temperature Setting: °C</b>	42
<b>Maximum Hot Water Temperature: °C</b>	65
<b>Dynamic Pressure Range: (bar)</b>	Min 0.1 Bar, Max 5.0 Bar
<b>Maximum Static Pressure: (bar)</b>	10
<b>Plumbing System Suitability:</b>	Suitable for all plumbing conditions
<b>Flow Rate (l/min @ 3 bar)</b>	14.6
<b>Flow Regulator:</b>	Yes
<b>Connection Inlet:</b>	15mm Compression
<b>Connection Outlet:</b>	15mm Compression
<b>Isolation Valve Included:</b>	No
<b>Check Valve Included:</b>	Yes

### Dimensions (measurements in mm)



### Flow Rates (l/min)

System Pressure (bar)	0.1	0.2	0.5	1	2	3	5
With Flow Regulators			11.9	13.4	13.2	13.1	11.4
Without Flow Regulators	3.5	7.5	14.3	20.7	30.9	37.8	48.9

## TECHNICAL DATA SHEET



# BRISTAN

TAPS & SHOWERS

D3