

# MT503CP-ISOELB

## GUM Shower Range 15mm Thermostatic Mixing Valve with Isolation Elbows



### Features:

- Elbows allow the valve to be concealed behind a pedestal
- Elbows allow the valve to be concealed behind a pedestal
- Isolation at mixing point facilitates easy servicing
- Automatic shutoff in the event of hot or cold water supply failure
- Check valves and serviceable filters as standard

### Product Certifications:



Expiry: 31/10/2022  
Certificate: 1710079



Expiry: 16/11/2022  
Certificate: BC1860/1117



Expiry: 12/12/2017  
Certificate: BC1090/1212

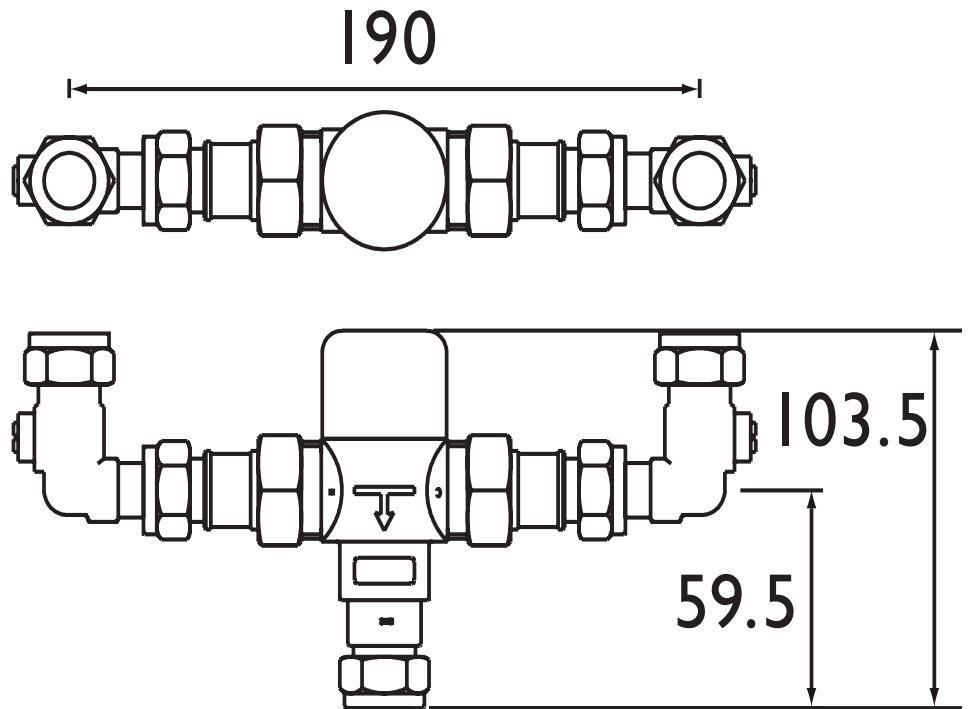
For more products, visit our website:  
<http://www.bristan.com>



### Specification

|  |                         |
|--|-------------------------|
| Style:                                   | Utility                 |
| Finish/Colour:                           | Chrome                  |
| Main Construction Material:              | Brass                   |
| No of Controls:                          | 1                       |
| Shower Type:                             | Thermostatic mixing     |
| Maximum Hot Water Supply Temperature °C: | 80                      |
| Dynamic Pressure Range: (bar)            | 5                       |
| Maximum Static Pressure: (bar)           | 10                      |
| Plumbing System Suitability:             | All preferably balanced |
| Working Pressure Range:                  | Min. 0.1 - Max. 2.0 bar |
| Connection Inlet:                        | 15mm                    |
| Connection Outlet:                       | 15mm                    |
| Isolation Valve Included:                | Yes                     |
| Check Valve Included:                    | Yes                     |

### Dimensions (measurements in mm)



### Flow Rates (l/min)

| System Pressure (bar) | 0.2 | 0.5 | 1    | 2  |
|-----------------------|-----|-----|------|----|
| Open Mixed Outlet     | 8.5 | 15  | 21.5 | 31 |

# TECHNICAL DATA SHEET



# BRISTAN

TAPS & SHOWERS

D4