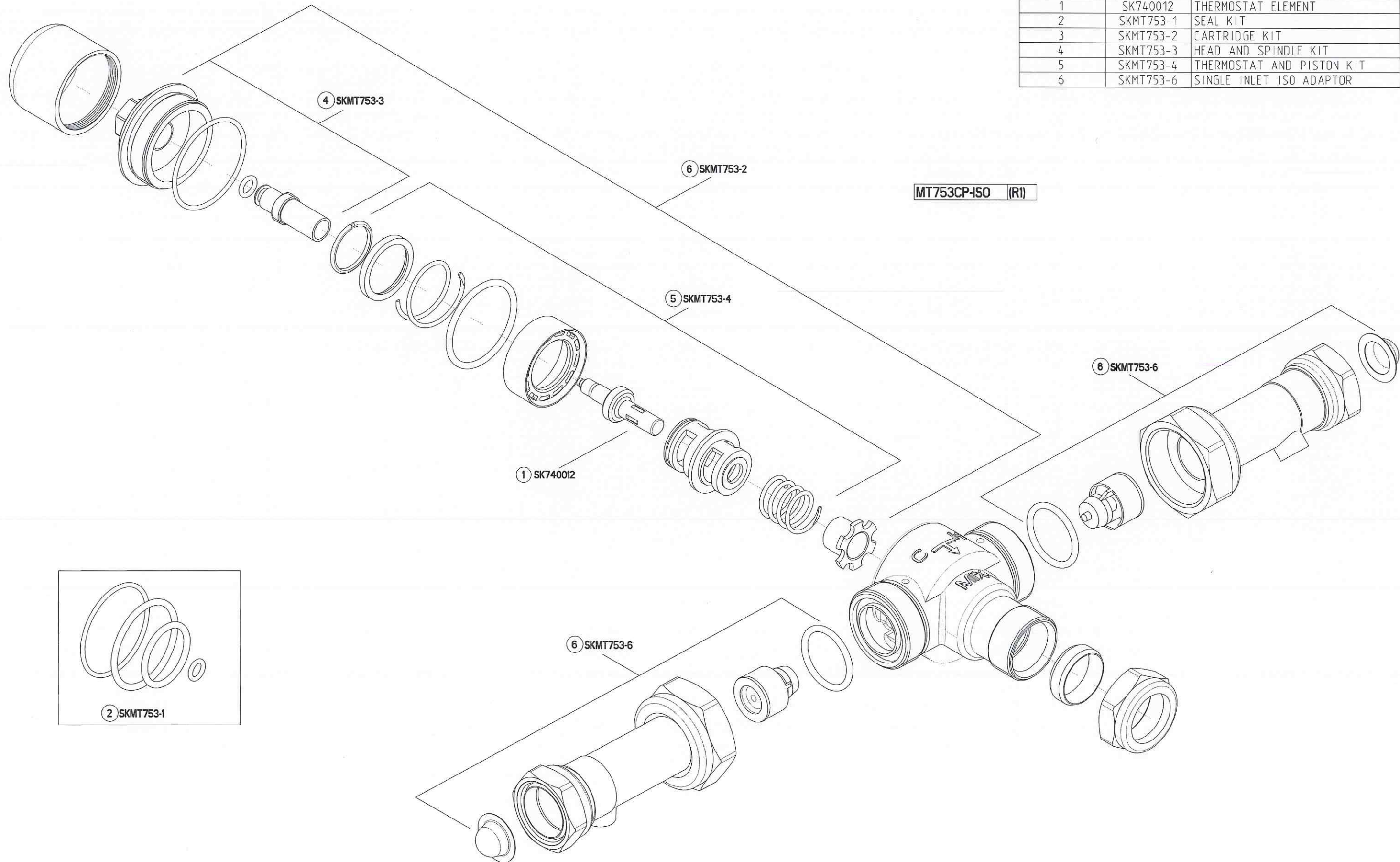


DRW POSN No.	PART No.	PART DESCRIPTION
1	SK740012	THERMOSTAT ELEMENT
2	SKMT753-1	SEAL KIT
3	SKMT753-2	CARTRIDGE KIT
4	SKMT753-3	HEAD AND SPINDLE KIT
5	SKMT753-4	THERMOSTAT AND PISTON KIT
6	SKMT753-6	SINGLE INLET ISO ADAPTOR



MT753CP-ISO (R1)

