

QD SHXDIVFF C

QUADRATO Shower Range Quadrato Exposed Fixed Head Bar Shower with Diverter & Kit



Specification	
Style:	Contemporary
Finish/Colour:	Chrome
Main Construction Material:	Brass
No of Controls:	2
Shower Type:	Exposed Bar with Rigid Riser
Valve/Cartridge Type:	Thermostatic Cartridge
Maximum Temperature Setting °C:	38
Maximum Hot Water Temperature: °C	80
Working Pressure Range: (bar)	Min.0.5bar, Max.5.0
Maximum Static Pressure: (bar)	10
Plumbing System Suitability:	All - Ideally Balanced
Flow Rate: (l/min @ 3 bar)	19.9
Flow Regulator:	No
Connection Inlet:	15mm Compression Connections
Connection Outlet:	G 1/2"
Isolation Valve Included:	No
Check Valve Included:	No

Features

- Thermostatic cartridge with preset temperature stop 38°C and
- Separate controls for temperature and flow
- High performance at pressures as low as 0.1 bar
- Automatic shutoff in the event of hot or cold water supply failure
- Fast Fit system for rigid fixing through cavity walls

Product Certifications:

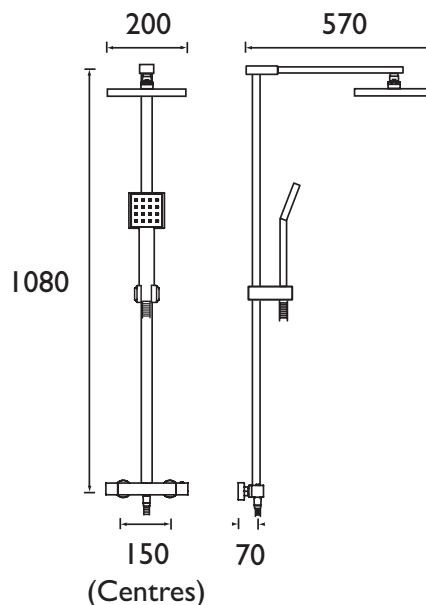
WRAS Certificate No: 1503002
WRAS Expiry Date: 31/03/2020



Also available from the QUADRATO Shower Range is:



Dimensions (measurements in mm)



Flow Rates (l/min)

System Pressure (bar)	0.5	1	2	3	4	5
Handset	8.1	11.5	16.2	19.9	22.9	25.6

TECHNICAL
DATA
SHEET

BRISTAN
TAPS & SHOWERS

D4