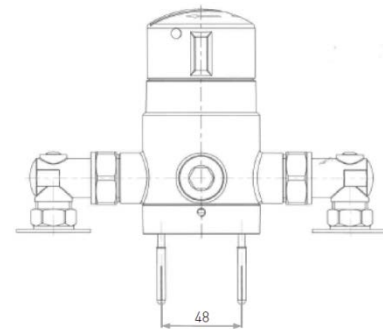
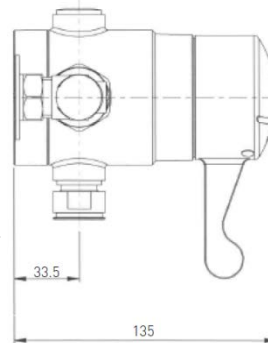
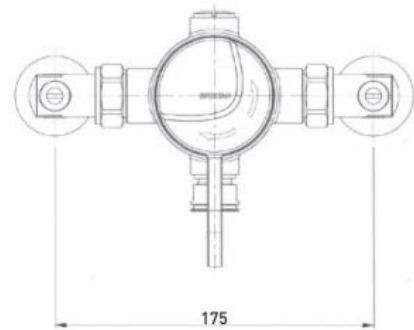


OPAC

Thermostatic Exposed Shower Valve with Lever Handle and Isolation Elbows

Product Specification

Product Code:	OP TS1503 ISOL C
Finish:	Chrome
Product Type:	Commercial
Construction:	Body is of brass construction and is designed to conform to BS EN 1111:1999 (HP) & BS EN 1287:1999 (LP)
Valve Type:	Thermostatic Cartridge
Supply:	Suitable for all plumbing systems (Preferably balanced)
Inlet Connections:	15mm compression elbows
Outlet Connections:	½" BSP
Working Pressures:	Min 0.2bar, Max 8.0bar
Dimensions for Fitting:	175mm inlet centres



Additional Information

- Single sequential control for both temperature & flow.
- Isolation elbows included as standard
- Automatic thermostatic shut-off in the event of hot or cold water failure.
- Check valves and serviceable filters as standard
- Supplied as 'valve only' and thus can be customised by choosing accessories from our Pick 'N' Mix showering options. Please see our Product and Price guide for details.
- Chrome plated to BS EN 248.

Flow Rates (litres per minute)

System Pressure	0.2bar	0.6bar	1bar	2bar	3bar	4bar	5bar
Flow Limiters Fitted	4.6	6.8	7.1	8.1	8.6	8.9	9.0

Compliance / Approvals

WRAS:	Certificate N ^o : 1311021
TMV3:	Certificate N ^o : BC397/1208

Technical Advice: For further information please call 0844 7016273 or email customer@bristan.com

Guarantee: 1 year covering manufacturing faults.

Bristan, Birch Coppice Business Park, Dordon, Tamworth, B78 1SG
 Telephone: 0844 701 6274 Facsimile: 0844 701 6275
 Web Site: www.bristan.com Email: enquire@bristan.com

