

TECHNICAL DATA SHEET

COMMERCIAL

15mm Thermostatic Exposed Mixing Valve (no shut-off)

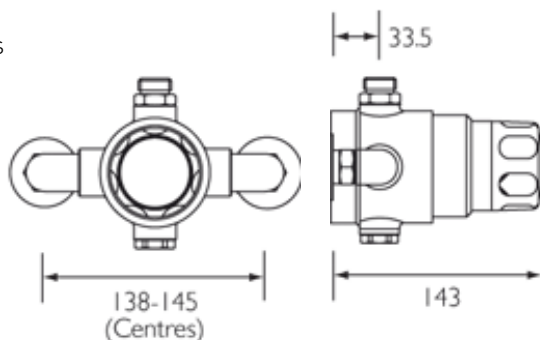
Product Specification

Product Code:	TS1503ECP-2000-MK
Finishes:	Chrome
Product Type:	Commercial
Maximum Hot Temperature:	80oC
Supply:	Suitable for all plumbing systems, preferably balanced
Inlet Connection:	15mm
Outlet Connection:	15mm
Working Pressures:	Min 0.1 Bar, Max 5.0 Bar



Additional Information

- Ideal for either single point or limited group applications
- Single adjustable temperature control for user comfort
- Compatible with timed flow controls, and Pulse 8 automatic controls
- Temperature control can be locked in position or allow adjustments
- Factory pre-set maximum temperature at 43oC
- Automatic shut-off in the event of hot or cold water supply failure
- Check valves, and serviceable filters as standard
- Operates at a maximum pressure differential of 10:1
- Recommended for Education or Sports & Leisure environments



Flow Rates (litres per minute)

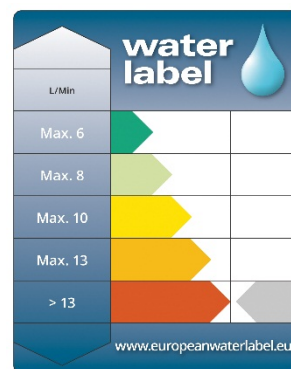
System Pressure	0.1bar	0.2bar	0.5bar	1.0bar	2.0bar	3.0bar	5.0bar
Open Outlet	9.13	12.91	20.41	28.87	40.83	50	64.55

Compliance / Approvals

WRAS Approval No: 1311021
TMV3 Certificate No: BC1197/0413
TMV3 Designations: HP-S and LP-S
TMV2 Certificate No: BC1196/0413
TMV2 Designations: HP-SE and LP-S
Complies with NHS D08 Specifications
Complies with BS EN 1111:1999 & BS EN 1287:1999 standards

Technical Advice: For further information please call 0844 7016273
or email customercare@bristan.com

Guarantee: 1 year covering manufacturing faults.



Bristan, Birch Coppice Business Park, Dordon, Tamworth, B78 15G
Telephone: 0844 701 6274 Facsimile: 0844 701 6275
Web Site: www.bristan.com Email: enquire@bristan.com

