

TECHNICAL DATA SHEET

BRISTAN

COMMERCIAL

Gummers 28mm Thermostatic Mixing Valve

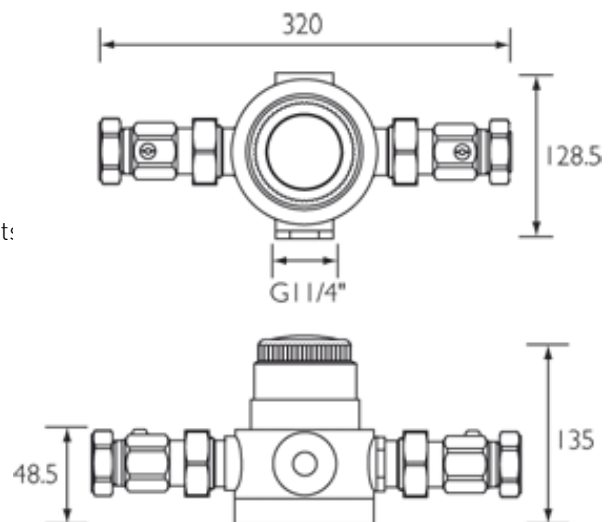
Product Specification

Product Code:	TS6000ECP
Finishes:	Chrome
Product Type:	Commercial
Maximum Hot Temperature:	80oC
Supply:	Suitable for all plumbing systems, preferably balanced
Inlet Connection:	28mm
Outlet Connection:	28mm
Working Pressures:	Min 0.1 Bar, Max 5.0 Bar



Additional Information

- Ideal for group applications at pressures as low as 0.1bar
- Compatible with non-thermostatic showers & taps, timed flow controls, and Pulse 8 automatic controls
- Temperature control can be locked in position or allow adjustment:
- Factory pre-set maximum temperature at 43oC
- Automatic shut-off in the event of hot or cold water supply failure
- Check valves, isolation valves, and serviceable filters as standard
- Operates at a maximum pressure differential of 10:1
- Recommended for Education or Sports & Leisure environments



Flow Rates (litres per minute)

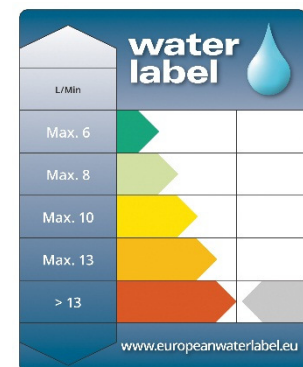
System Pressure	0.1bar	0.2bar	0.5bar	1.0bar	2.0bar	3.0bar	5.0bar
Open Outlet	27.39	38.73	61.24	86.6	122.5	150	193.7

Compliance / Approvals

WRAS Approval No: 1403025

Technical Advice: For further information please call 0844 7016273 or email customercare@bristan.com

Guarantee: 1 year covering manufacturing faults.



Bristan, Birch Coppice Business Park, Dordon, Tamworth, B78 1SG
Telephone: 0844 701 6274 Facsimile: 0844 701 6275
Web Site: www.bristan.com Email: enquire@bristan.com



The information contained on this page was correct at date of issue. Fitting dimensions are provided as a guide only. Some variation may occur due to manufacturing tolerances. Bristan pursues a policy of continuing improvement in design and performance of its products and so reserves the right to change specifications without prior notice.