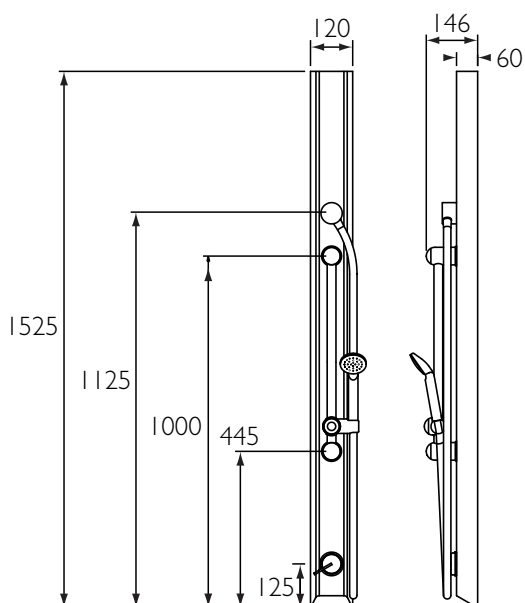


Gummers Shower Panel with Kit

Product Code	Finish/Model Type
TFP3002	Stainless Steel
TFP3002W	White

Weblink
<http://www.specifybristan.com/TFP3002>

- Slimline robust design
- Integral thermostatic valve reduces deadleg and risk of legionella
- Single sequential control for both temperature and flow
- Category 5 compliant flexible kit
- Fits to ceiling, leaving no exposed pipework
- Automatic thermostatic shutoff in the event of hot or cold supply failure
- Supplied pre-plumbed and ready to install



All measurements in mm (unless stated otherwise)
 Inlet connection 15mm

Performance with open outlet								
Pressure Drop	0.1	0.2	0.5	1	2	3	4	5
Flow Rate	-	-	6	8	8.2	8.4	8.6	8.5

Call our specifier helpline on **0844 701 6273**

or visit www.specifybristan.com

Bristan, Birch Coppice Business Park,
 Dordon, Tamworth, Staffordshire B78 1SG



Healthcare

Education

Sports & Leisure

Product Code

TFP3002
TFP3002W

TMV3 Designations of use

- HP-S High pressure shower
- LP-S Low pressure shower

Pressures

- Minimum pressure drop: 0.5 bar
- Maximum dynamic pressure: 5 bar
- Maximum static pressure: 10 bar

Temperatures

- Factory preset temperature: 43°C
- Maximum hot water supply temperature: 80°C