

TECHNICAL DATA SHEET

BRISTAN

COMMERCIAL

Vandal Resistant Adjustable Fast Fit Shower Head

Product Specification

Product Code:	VR3000FF DUCT
Finishes:	Chrome
Product Type:	Commercial
Construction:	Tap bodies are of all brass construction and are designed to conform to BS EN 200
Supply:	Suitable for all plumbing systems, preferably balanced
Inlet Connections:	15mm
Working Pressures:	Dependent upon shower valve/mixing valve specified

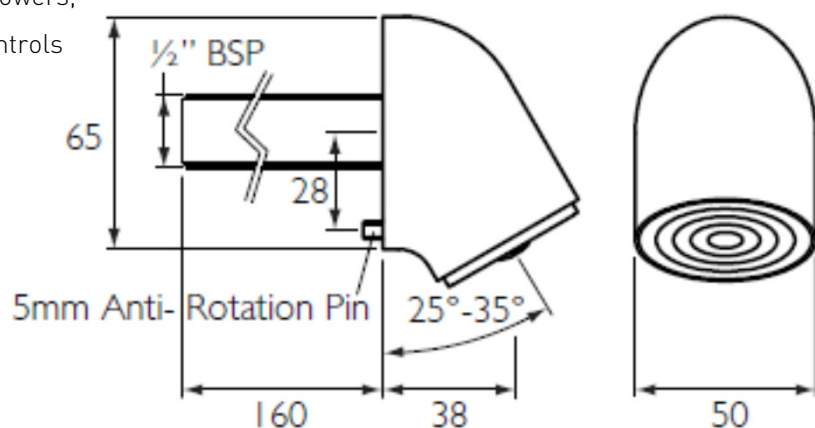


Additional Information

- Easy to install fast-fit external connections to minimise the risk of in-wall leaks
- Robust construction for duct mounting in high risk areas
- Inlet tail can be cut to suit different cavity depths through wall thickness from 1mm – 125mm
- Anti-grip curved design with tamper-proof fixings and anti-rotation system
- Interchangeable spray rings and adjustable spray angle between 25° and 35°
- Recommended for Education, Healthcare or Sports & Leisure environments
- Compatible with exposed or concealed showers, timed flow controls, pulse 8 automatic controls and chrome riser bars

Compliance / Approvals

WRAS Approval No: 1507046



Technical Advice: For further information please call 0844 7016273 or email customercare@bristan.com

Guarantee: 1 year covering manufacturing faults.

Bristan, Birch Coppice Business Park, Dordon, Tamworth, B78 1SG
Telephone: 0844 701 6274 Facsimile: 0844 701 6275
Web Site: www.bristan.com Email: enquire@bristan.com



The information contained on this page was correct at date of issue. Fitting dimensions are provided as a guide only. Some variation may occur due to manufacturing tolerances. Bristan pursues a policy of continuing improvement in design and performance of its products and so reserves the right to change specifications without prior notice.