

760955CP

Accessories Contemporary Showerhead



Specification

Main Construction Material:	Brass
Connection Inlet:	G 1/2"
Connection Outlet:	N/A
Contemporary or Traditional:	Contemporary
Finish Colour:	Chrome
Isolation Included:	No
Left or Right Handed:	Both
Rub Clean Handset:	Yes

Features:

- Swivel ball joint for angle adjustment
- Rub-clean anti-limescale system
- Single-function

Product Certifications:

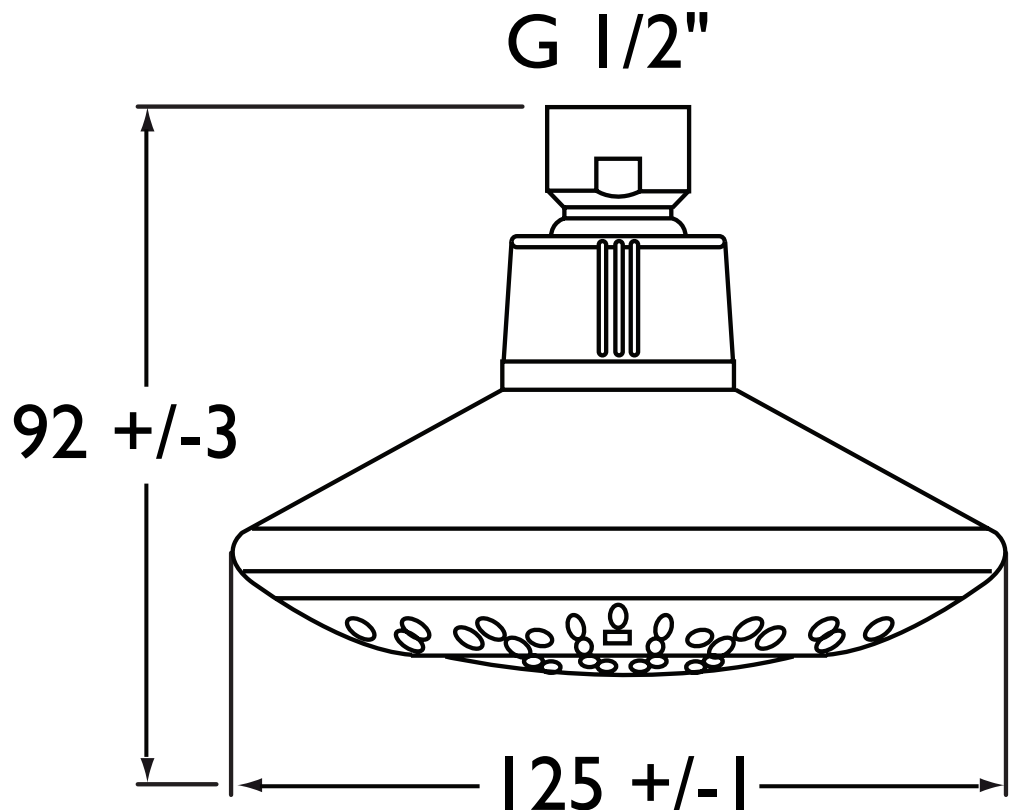


WRAS Certificate No: 1407968
WRAS Expiry Date: 31/07/2019

For more products, visit our website:
<http://www.bristan.com>



Dimensions (measurements in mm)



TECHNICAL DATA SHEET



BRISTAN

TAPS & SHOWERS

D5