

TECHNICAL DATASHEET

COMMERCIAL

OPAC Thermostatic Wall Mounted Bath Filler with Levers Valve Only

Product Specification

Product Code: OP THBF WML C
Finish: Chrome
Product Type: Commercial
Construction: Body is of brass construction and is designed to conform to BS EN 1111:1999 (HP) & BS EN 1287:1999 (LP)
Valve Type: Thermostatic Cartridge
Supply: Suitable for all plumbing systems (Preferably balanced)
Inlet Connections: 3/4" BSP
Outlet Connections: 1/2" BSP
Working Pressures: Min 0.2bar, Max 5.0bar
 Maximum Static Pressure: 10.0 bar
Dimensions for Fitting: 180mm inlet centres



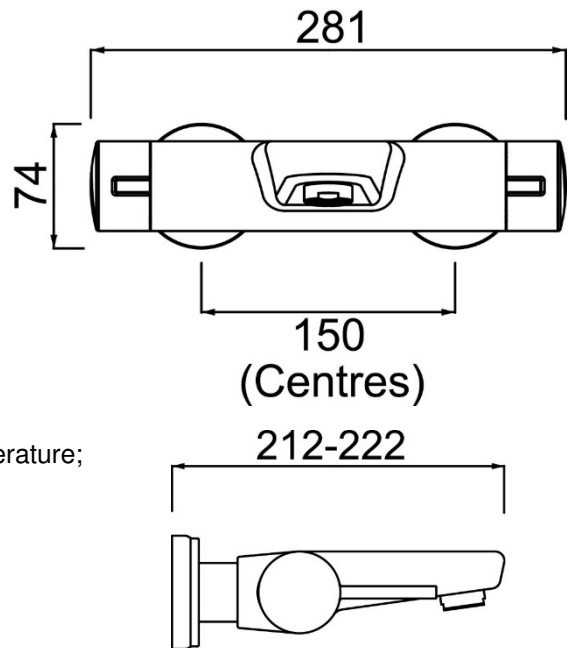
Additional Information

- Cool touch body for ultimate user safety.
- Easy to use lever handles
- Fixing kits available for easy installation
- Integral isolator & flushing mechanism for easy maintenance.
- High performance at low pressures.
- Automatic shut-off in the event of hot or cold supply failure.
- Factory set to 38°C to eliminate the ability to select unsafe temperature; this can be overridden by user up to 44oC

Compliance / Approvals

WRAS: Certificate N^o: 1411027
TMV3: Certificate N^o: BC1486/1114

Complies with D08 specification.



Flow Rates (litres per minute)

System Pressure	0.2bar	0.5bar	1bar	2bar	3bar	4bar	5bar
Open Outlet	--	14.0	21.0	30.0	38.0	43.0	49.0

Technical Advice: For further information please call 0844 7016273 or email customer@bristan.com

Guarantee: 1 year covering manufacturing faults.

Bristan, Birch Coppice Business Park, Dordon, Tamworth, B78 1SG
 Telephone: 0844 701 6274 Facsimile: 0844 701 6275
 Web Site: www.bristan.com Email: enquire@bristan.com

