

TECHNICAL DATASHEET

COMMERCIAL HTM64 Deck Mount Mixer Tap

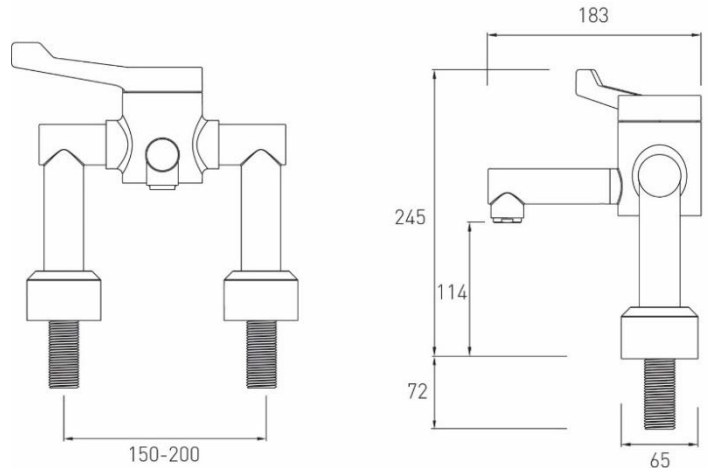
Product Specification

Product Code:	H64DMT2
Finish:	Chrome
Product Type:	Commercial
Construction:	Body is of brass construction and is designed to conform to NHS D08
Valve Type:	Thermostatic Cartridge
Supply:	Suitable for all plumbing systems (Preferably balanced)
Inlet Connections:	15mm compression connectors
Working Pressures:	Min 0.2bar, Max 5.0bar
Dimensions for Fitting:	150- 200mm centres



Additional Information

- Integral thermal flush mechanism.
- Anti-scald safe touch surfaces
- Removable spout
- Fully draining spout option supplied
- Smooth internal waterways
- Isolating inlets with eccentric tails
- Easy '1-step' isolation and filter removal



Flow Rates (litres per minute)

System Pressure	0.2bar	0.5bar	1bar	2bar	3bar	4bar	5bar
Open Outlet	1.5	2.6	3.9	5.1	5.6	5.6	5.6

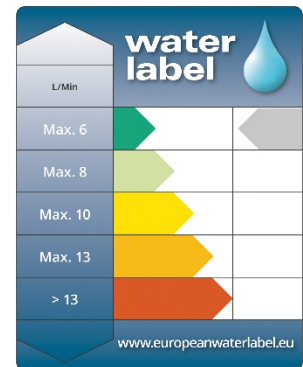
Compliance / Approvals

Complies to NHS D08 Standards

WRAS Approval No: 1604085

Technical Advice: For further information please call 0844 7016273 or email customer@bristan.com

Guarantee: 1 year covering manufacturing faults.



Bristan, Birch Coppice Business Park, Dordon, Tamworth, B78 1SG
Telephone: 0844 701 6274 Facsimile: 0844 701 6275
Web Site: www.bristan.com Email: enquire@bristan.com

